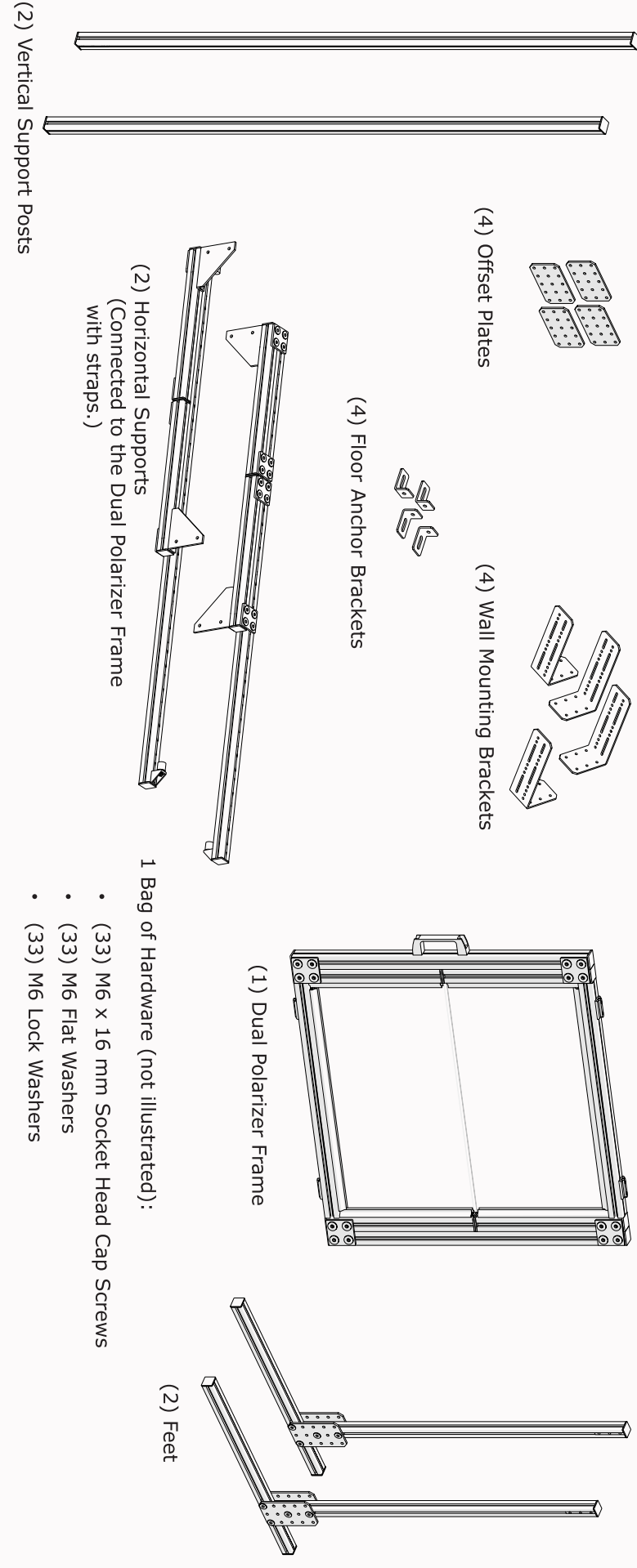


## NOTICE

Improper cleaning can permanently damage the polarizer glass coating. Remove debris before wiping the polarizer glass, and do not use ammonia-based cleaners. Failure to comply may result in property damage.

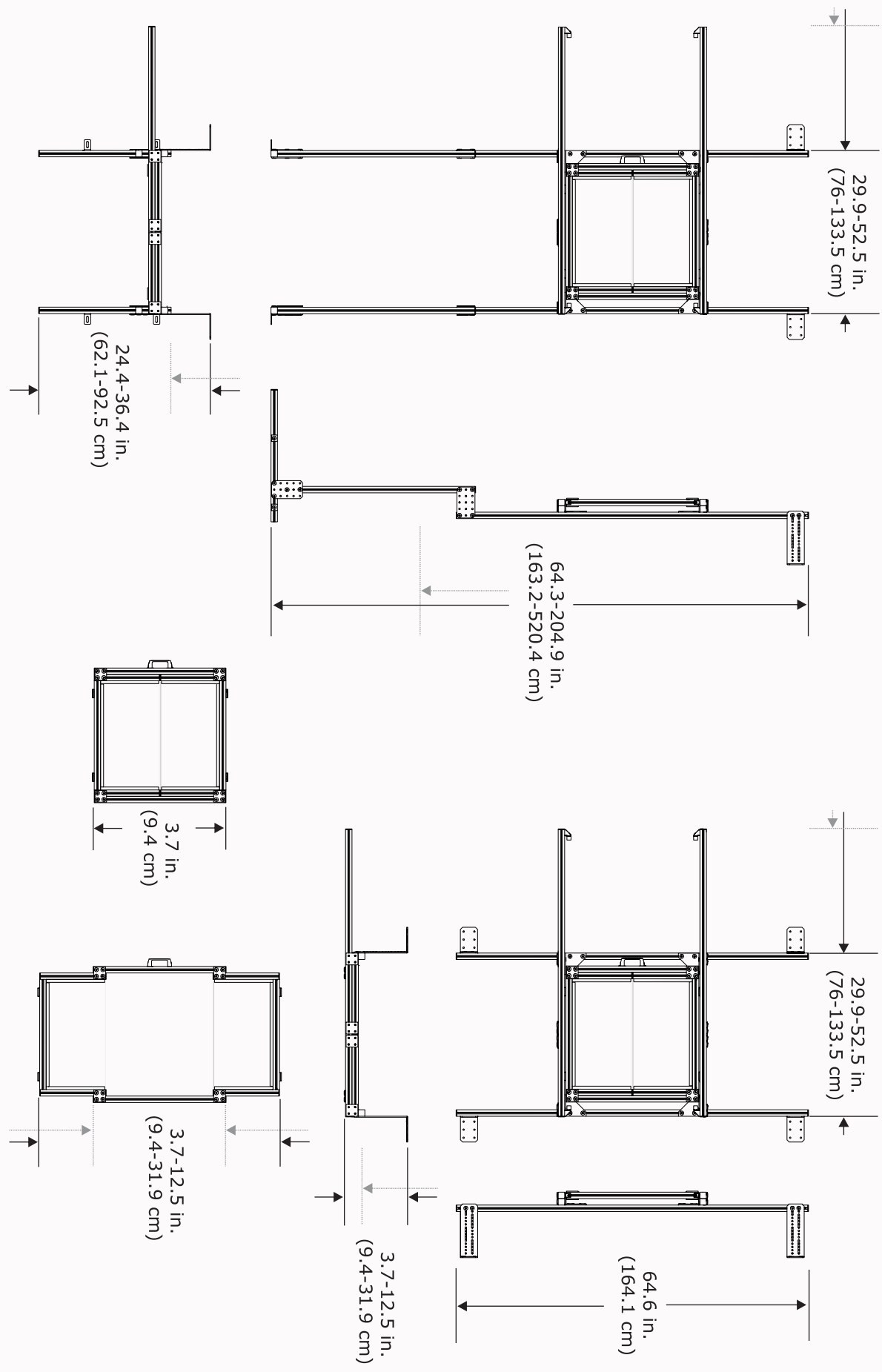
1. Turn the projector lamp off, and allow the polarizer glass to cool.
2. Blow dust off of the polarizer glass using clean, compressed air (for example, dry nitrogen).
3. Gently clean the polarizer glass using a clean cloth and a mild detergent cleaner appropriate for anti-reflection (AR) coated eye glasses.

## Polarizer Cleaning



## What's In The Box?

## Specifications



CHRISTIE

CHRISTIE

CHRISTIE

### NOTICES

**COPYRIGHT AND TRADEMARKS**  
© 2013 Christie Digital Systems USA, Inc. All rights reserved.  
All brand names and product names are trademarks, registered trademarks or trade names of their respective holders.

**REGULATORY**  
The product has been tested and found to comply with the limits for a Class A digital device, pursuant to part 15 of the FCC rules. These limits are designed to provide reasonable protection against harmful interference when the product is operated in a commercial environment. The product generates, uses, and can radiate radio frequency energy and, if not installed and used in accordance with the instruction manual, may cause harmful interference to radio communications. Operation of the product in a residential area is likely to cause harmful interference in which case the user will be required to correct the interference at the user's own expense.

This Class A digital apparatus complies with Canadian ICES-003.  
Cet appareil numérique de la classe A est conforme à la norme NMB-003 du C.

**GENERAL**  
Every effort has been made to ensure accuracy, however, in some cases changes in the products or availability could occur which may not be reflected in this document. Christie reserves the right to change specifications without notice. Performance specifications are based on information available at the time of printing. Christie makes no warranty of any kind with regard to this material, including, but not limited to, implied warranties of fitness for a particular purpose. Christie will not be liable for errors or omissions, or for incidental or consequential damages in connection with the performance or use of this material.

The product is designed and manufactured with high-quality materials and components that can be expected to provide long-term performance. The product is designed for use in a commercial environment and should be disposed of separately from regular waste. Please dispose of the product appropriately and according to local regulations. In the European Union, there are separate collection systems for used electrical and electronic products. Please help us to conserve the environment we live in!

Canadian manufacturing facility is ISO 9001 and 14001 certified.

**GENERAL WARRANTY STATEMENTS**  
For complete information about Christie's limited warranty, please contact your Christie dealer. In addition, other limitations that may be specified in Christie's limited warranty, the warranty does not cover:

- a. Damage occurring during shipment, in either direction.
- b. Product misuse (See Christie's limited warranty policy).
- c. Damage caused by use of a projector lamp beyond the recommended lamp life, or use of a lamp supplied by a supplier other than Christie.
- d. Problems caused by combination of the product with non-Christie equipment, such as distribution systems, cameras, video tape recorders, etc., or use of the product with any other equipment.
- e. Damage caused by misuse, improper power source, accident, fire, flood, lightning, earthquake or other natural disaster.
- f. Damage caused by improper installation/alignment, or by product modification, if by other than a Christie authorized repair service provider.
- g. For LCD projectors, the warranty period specified applies only where the LCD projector is used for normal use. For any LCD projector where "normal use" is exceeded, warranty coverage under this warranty terminates after 6000 hours of operation.
- h. Failure due to normal wear and tear.

**PREVENTATIVE MAINTENANCE**  
Preventative maintenance is an important part of the continued and proper operation of your product. Failure to perform maintenance as required, and in accordance with the maintenance schedule specified by Christie, will void the warranty.

## Christie Polarizer Kit

Installation Guide  
020-101054-01

**Corporate offices**  
USA-Cypress  
ph: 714-238-8810  
Canada-Kitchener  
ph: 519-749-8005

**Worldwide offices**  
United Kingdom  
ph: +44 118 977 8000  
France  
ph: +33 (0) 1 41 21 00 36  
Germany  
ph: +49 2161 664540  
Eastern Europe  
ph: +36 (0) 1 47 48 100

**Middle East**  
ph: +971 (0) 4 299 7575  
**Spain**  
ph: +34 91 633 9990  
**Singapore**  
ph: +65 6877 8737  
**Beijing**  
ph: +86 10 6561 0240



For the most current technical documentation, please visit [www.christiedigital.com](http://www.christiedigital.com).  
© Copyright 2013 Christie Digital Systems, Inc. All rights reserved. All brand names and product names are trademarks or tradenames of their respective holders. Canadian manufacturing facility is ISO 9001 and 14001 certified. Performance specifications are typical. Due to constant research, specifications are subject to change without notice.

Printed in Canada. Some or all of this document is printed on recycled paper.

# Installation Instructions

## Tools Required:

- Tape Measure
- 5 mm Allen Key

## Read First!

Hardware with black end caps is not adjustable.

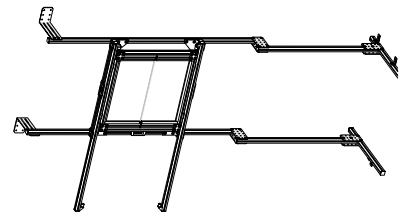


**Do not cut the straps** that hold the horizontal supports to the dual polarizer frame unless the installation is for the vertically stacked configuration.

Complete the steps for the required Christie Duo configuration:

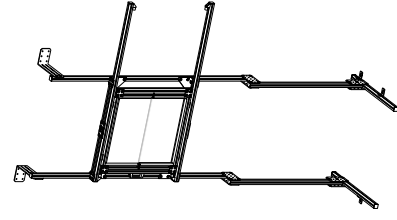
### Single-Mirror Configuration

Steps 2-5, then steps 8-12.



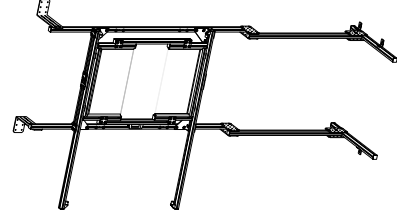
### Dual-Mirror Configuration

Steps 2-5, then steps 8-12.



### Vertically Stacked Configuration

Steps 1-7, then steps 9-12.

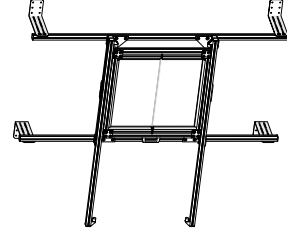


### Wall Mounted Configuration

Steps 5, and 8-12 for the single or dual-mirror configuration.

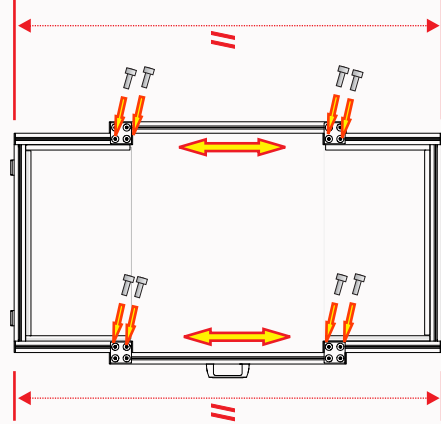
OR

Steps 5-7, and 9-12 for the vertically stacked configuration.



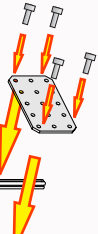
## 1. Adjust the dual polarizer frame

- Remove the straps to separate the horizontal supports from the dual polarizer frame.
- Loosen 8 screws on each side of the polarizer frame.
- Slide the polarizer frame apart. Hold the frame in front of the projectors to check the polarizer glass position. Center each polarizer with the expected projected image.
- Verify that the polarizer frame is parallel. Measure the left and right side and adjust until both sides are an equal length.
- Tighten the 8 screws on each side of the polarizer frame.



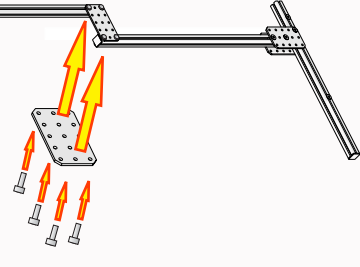
## 2. Attach the feet to the vertical support posts

- Align the edge of 1 offset plate with the top side of 1 foot.
- Slide the long t-nut into position, until it aligns with the offset plate.
- Loosely secure the offset plate using 1 flat washer, 1 lock washer, and 1 screw at the top of the plate and at the bottom of the plate.
- Align the edge of the offset plate from step a against the vertical support post. The post label must face toward the wall.
- Slide the long t-nut into position, until it aligns with the offset plate.
- Loosely secure the offset plate using 1 flat washer, 1 lock washer, and 1 screw at the top of the plate and at the bottom of the plate.
- Repeat steps a-f for the second vertical support post.



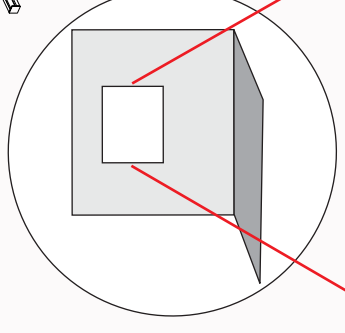
## 4. Attach the second offset plate

- Complete steps a to g from step 2 for the second offset plate.
- Tighten the 4 screws on both sides of the offset plate.
- Repeat steps a-b for the second vertical support post.



## 5. Adjust the horizontal supports

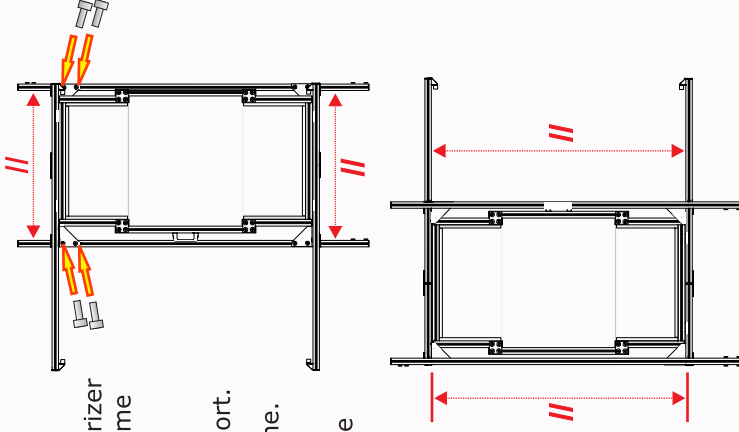
- Loosen 4 screws on one (or both) of the horizontal support sliders.
- Slide the frame apart until the two brackets are greater than the width of the port window.
- Tighten the 4 screws on one (or both) of the horizontal support slider(s).



## 7. Attach the upper horizontal support to the vertical support posts

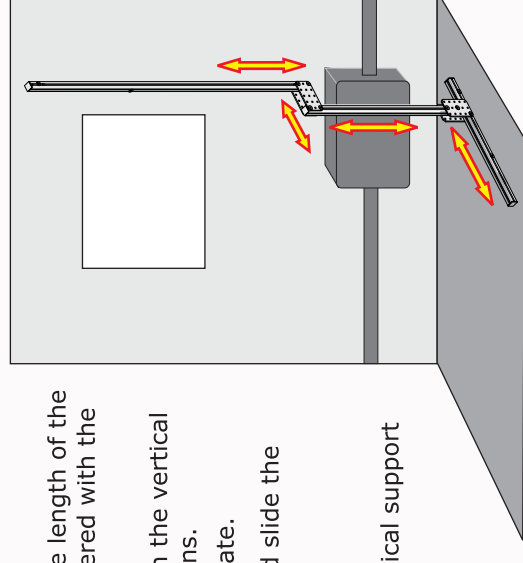
**NOTICE**  
To prevent damage to the polarizer glass, support the polarizer frame throughout this procedure.

- Rest the polarizer frame on the lower horizontal support.
- Position 1 horizontal support above the polarizer frame. Align the brackets with the 2 long t-nuts. Make sure that the vertical support post length, above the horizontal supports, is the same for both posts.
- Verify that the 2 vertical support posts are parallel. Measure the distance between the 2 vertical support posts. The distance must be the same on the top and on the bottom.
- Verify that there is enough space for the polarizer frame to slide freely along the horizontal supports.
- Secure the horizontal support in position using 2 flat washers, 2 lock washers, and 2 screws in each of the 2 brackets.



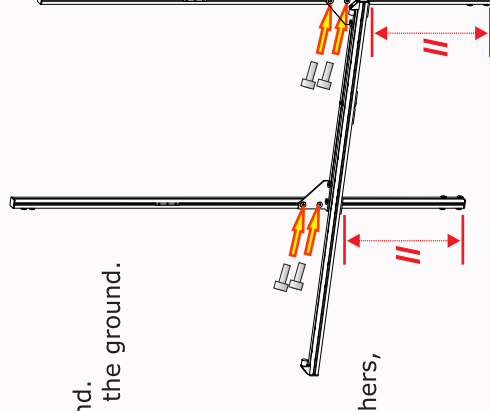
## 3. Adjust the polarizer frame height and depth

- Adjust the height of the legs until the length of the vertical support post is roughly centered with the height of the port window.
- Adjust the distance of each foot from the vertical supports to clear any wall obstructions.
- Tighten the 4 screws on the offset plate.
- Loosen the 4 screws on the foot, and slide the foot as close to the wall as possible.
- Tighten the 4 screws on the foot.
- Repeat steps a-e for the second vertical support post.



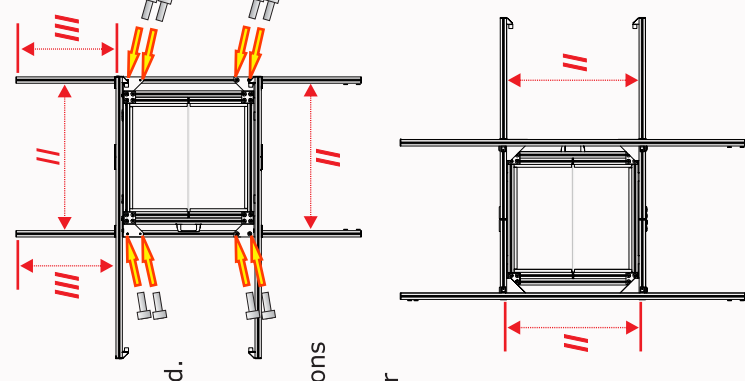
## 6. Attach the lower horizontal support to the vertical support posts

- Lay the left and right vertical support posts on the ground. Position them so they are parallel, with the labels facing the ground.
- Place 1 horizontal support across the two vertical posts. Align the brackets with the 2 lower long t-nuts. The horizontal support should extend to the left for all configurations except the dual-mirror configuration.
- Make sure that the vertical support post length, below the horizontal support, is the same for both posts.
- Secure the horizontal support in position using 2 flat washers, 2 lock washers, and 2 screws in each of the 2 brackets.



## 8. Attach the dual polarizer frame to the vertical support posts

- Lay the left and right vertical support posts on the ground. Position them so they are parallel, with the labels facing the ground.
- Place the polarizer frame (with horizontal supports attached) across the two vertical support posts. Align the brackets of the horizontal supports with the long t-nuts. The horizontal supports should extend to the left for all configurations except the dual-mirror configuration.
- Make sure that the vertical support post length, above the polarizer frame, is the same for both posts.
- Verify that the 2 vertical support posts are parallel. Measure the distance between the 2 vertical support posts. The distance must be the same on the top and on the bottom.
- Verify that the 2 horizontal supports are parallel. Measure the distance between the 2 horizontal supports. The distance must be the same on the left and on the right.
- Secure the dual polarizer frame in position. Place 2 flat washers, 2 lock washers, and 2 screws in each of the 4 brackets.
- Remove the straps from around the polarizer frame and verify that the frame slides freely along the horizontal supports.



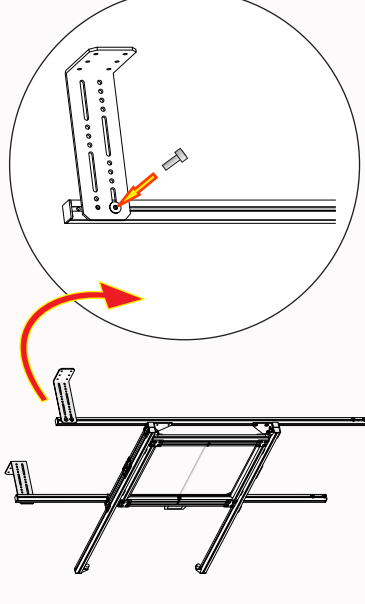
## 10. Move the Christie polarizer kit into position

**NOTICE**  
Fill as much of each polarizer with as much of the projected image as possible to maximize the polarizer lifespan.

- Slide the Christie polarizer kit between the projectors and the port window.
- Turn the power on for both projectors.
- Adjust the distance between the projectors and the polarizers until the projected images fill as much of the polarizers as possible. Make sure there is at least a 1/2 in. (1.2 cm) of separation between the two projected images on the polarizers.
- Adjust the polarizer frame as required to accommodate any wall obstructions.

## 9. Attach the upper polarizer frame brackets

- Attach 1 polarizer frame bracket to the top of a vertical support post with 1 flat washer, 1 lock washer, and 1 screw. Additional holes are provided in the bracket for installation flexibility.
- Repeat step a for the top of the second vertical support post.
- For a wall mounted installation, repeat steps a and b at the bottom of the vertical support posts.



## 12. Adjust the horizontal support bumpers

- Loosen the upper and lower bumper bracket screws.
- Slide the dual polarizer frame along the horizontal support until it is centered with the projected image.
- Slide the upper and lower bumper bracket along the horizontal support until it is against the edge of the polarizer frame.
- Tighten the upper and lower bumper bracket screws.

