

Ultra short throw lens installation and setup

The ultra short throw lens (P/N: 118-131106-XX) allows you to position your projector as close as possible to your screen or display.

Affected products

The following product series are affected:

- Crimson
- M Series
- J Series

Required tools

The following tools are required.

- 5 mm hex nut driver

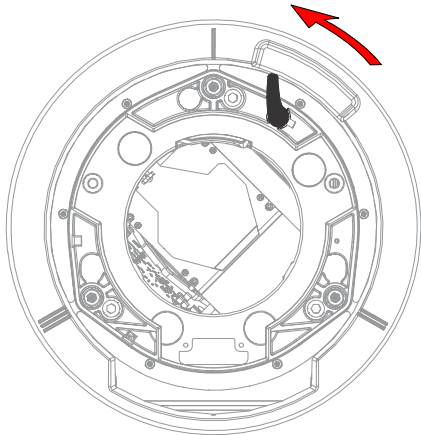
Installing the ultra short throw lens

Learn how to install the ultra short throw projection lens.

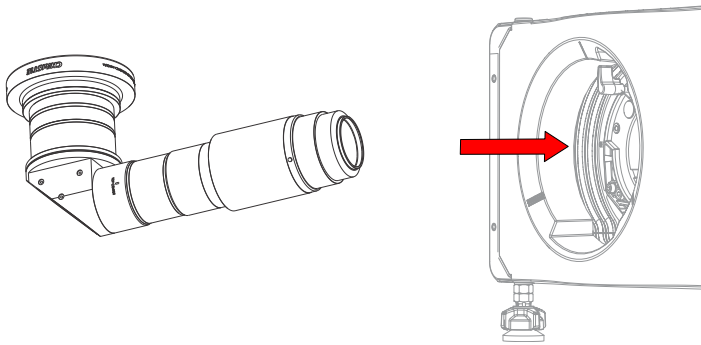


Notice. If not avoided, the following could result in property damage.

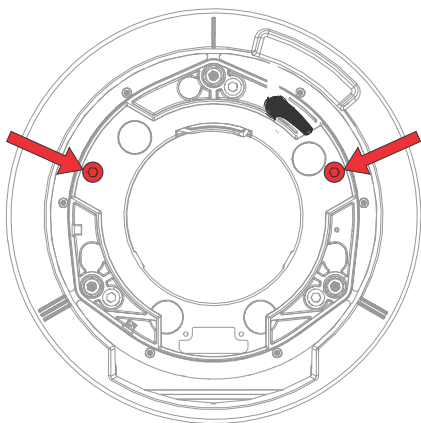
- Always use a lens plug when installing or moving the product. This prevents contaminants from entering the product.
 - Do not insert the lens into the product at an angle. This can damage the lens and the optical components inside the product.
 - Always place the lens cap onto the lens when moving the projector to avoid scratching the lens.
 - Remove the lens cap before turning the product on to avoid damaging the lens.
1. Ensure the lens cap is on the lens.
 2. Rotate the lens clamp to the open position.



3. Align the lens interface plate with the lens mount and align the lens electrical connector with the mating connector on the lens mount.
4. Fully insert the assembly straight into the lens mount opening without turning and press with your hand as shown.



5. To lock the lens assembly in place, while holding the lens flat against the lens mount, push the lens clamp down.
6. Remove the front lens cap.
7. For added stability and safety such as motion applications, or if the projector is hoisted or installed in an overhead position, use a 5mm hex driver to fasten the security screws provided with the lens mount or hand tighten the lens retaining screws attached to the lens.



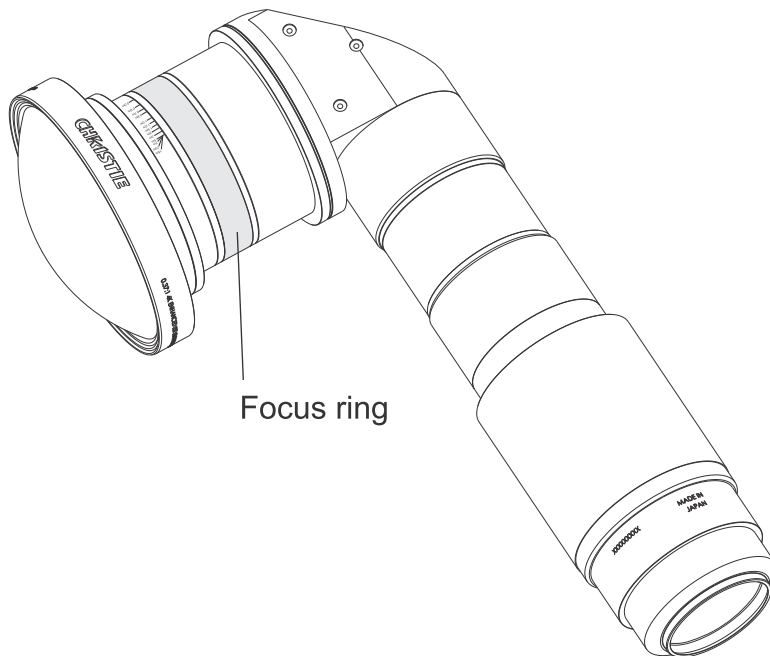
Christie recommends doing this for all lenses.

Aligning and focusing the image

After installing the lens, align and focus the image.

The method for performing the steps below may vary depending on projector model. For detailed information, refer to the user documentation for your product.

1. If required, power on the projector.
2. Perform a lens calibration.
3. To align the image, position the projector and adjust offsets.
4. Adjust boresight.
5. Adjust the center focus of the image by using the Focus feature on the projector.
6. Manually adjust the corner focus of the image using the focus ring on the lens.



7. To fine tune the focus, repeat steps 5 and 6 until optimum focus is achieved.

Technical support

Technical support for Christie products is available at:

- North and South America: +1-800-221-8025 or Support.Americas@christiedigital.com
- Europe, Middle East, and Africa: +44 (0) 1189 778111 or Support.EMEA@christiedigital.com
- Asia Pacific: +65 6877-8737 or Support.APAC@christiedigital.com