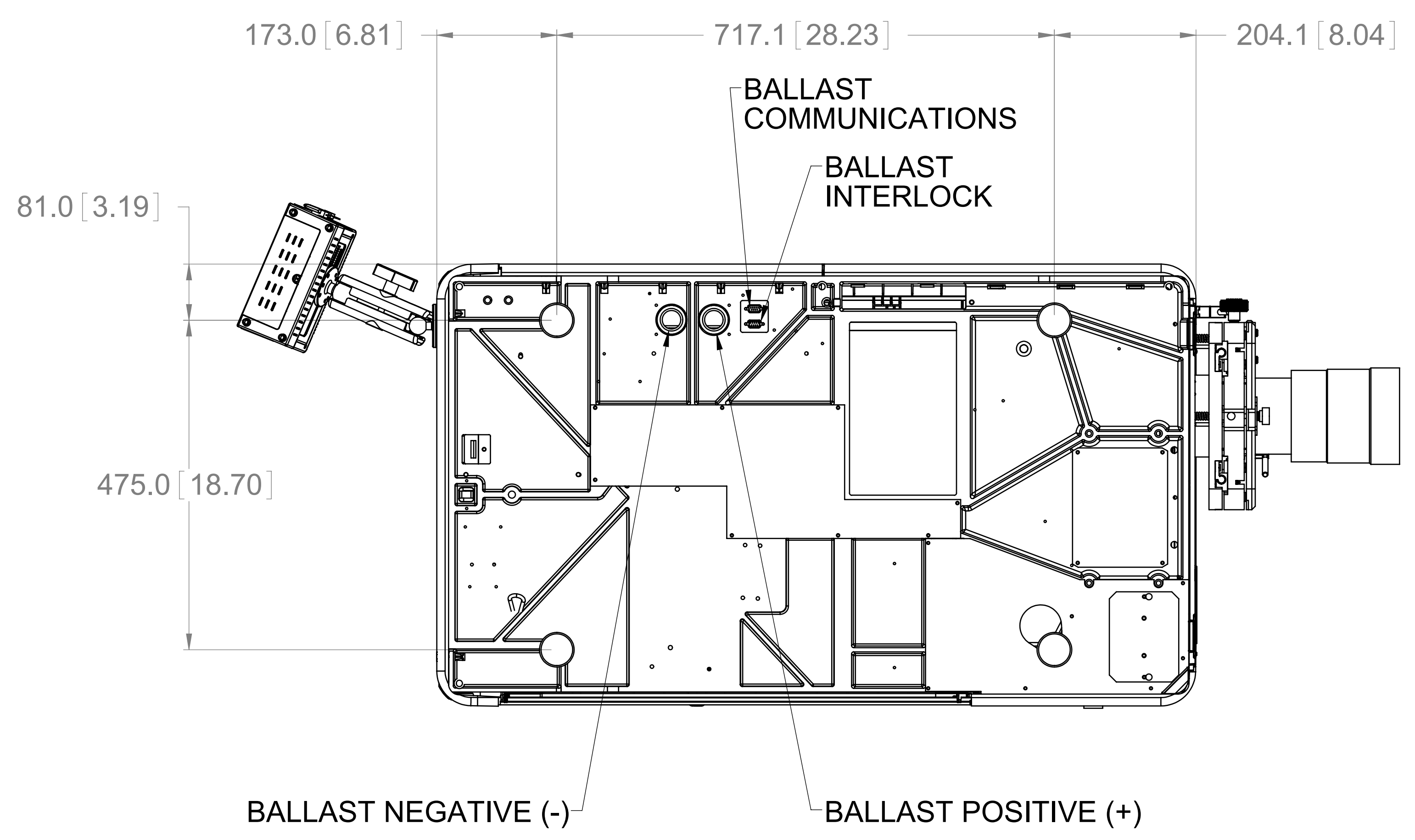
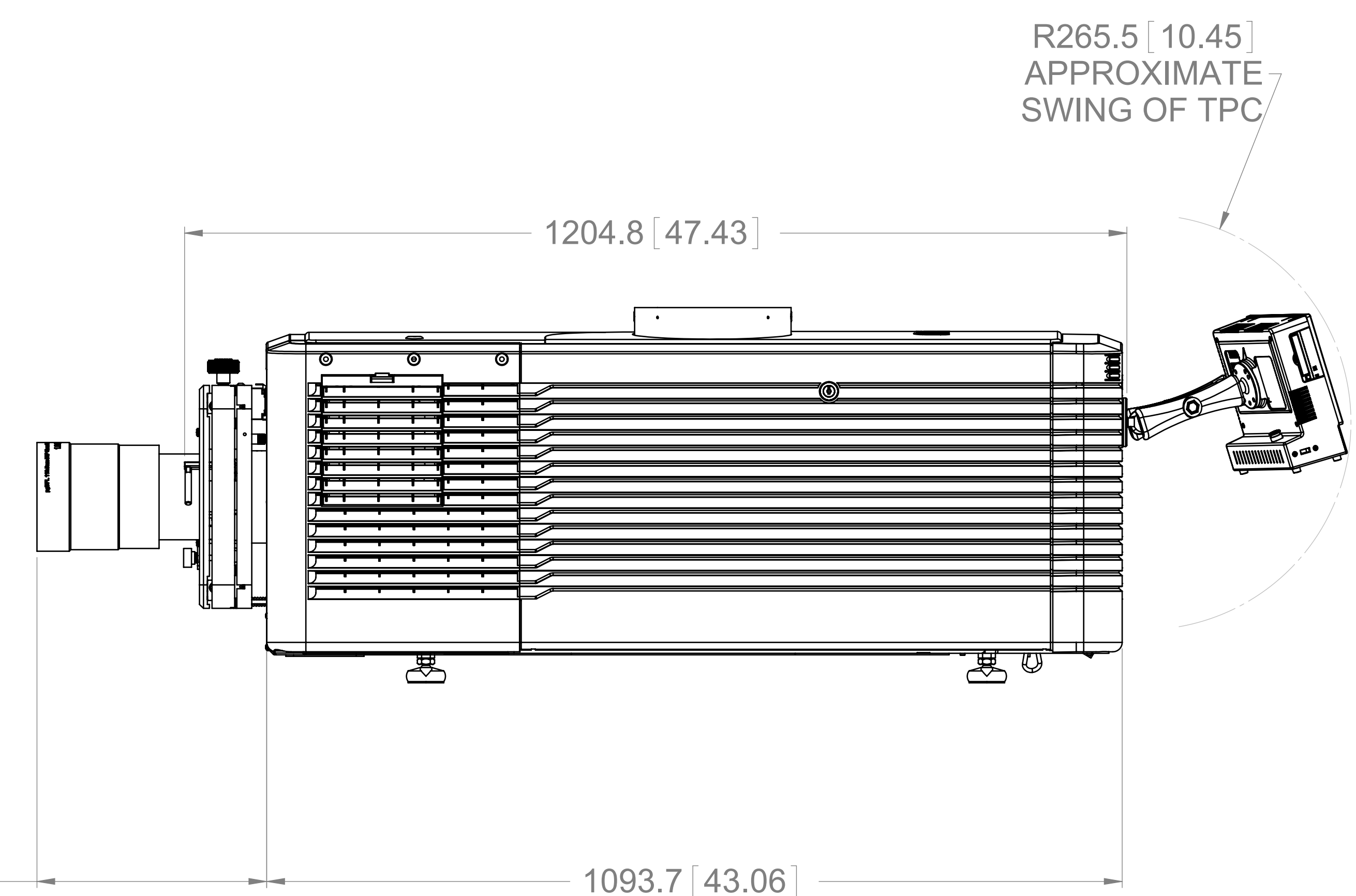
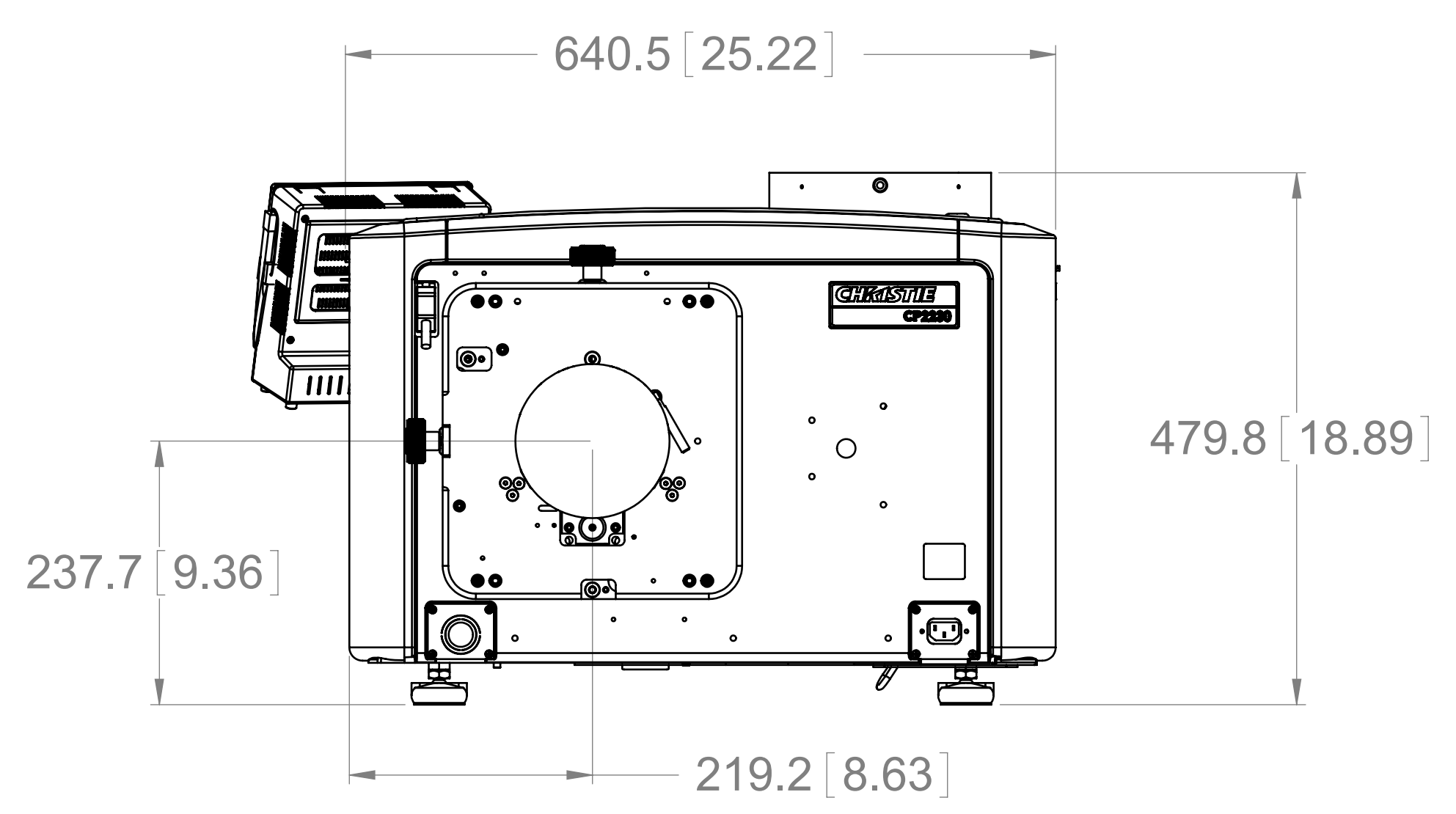
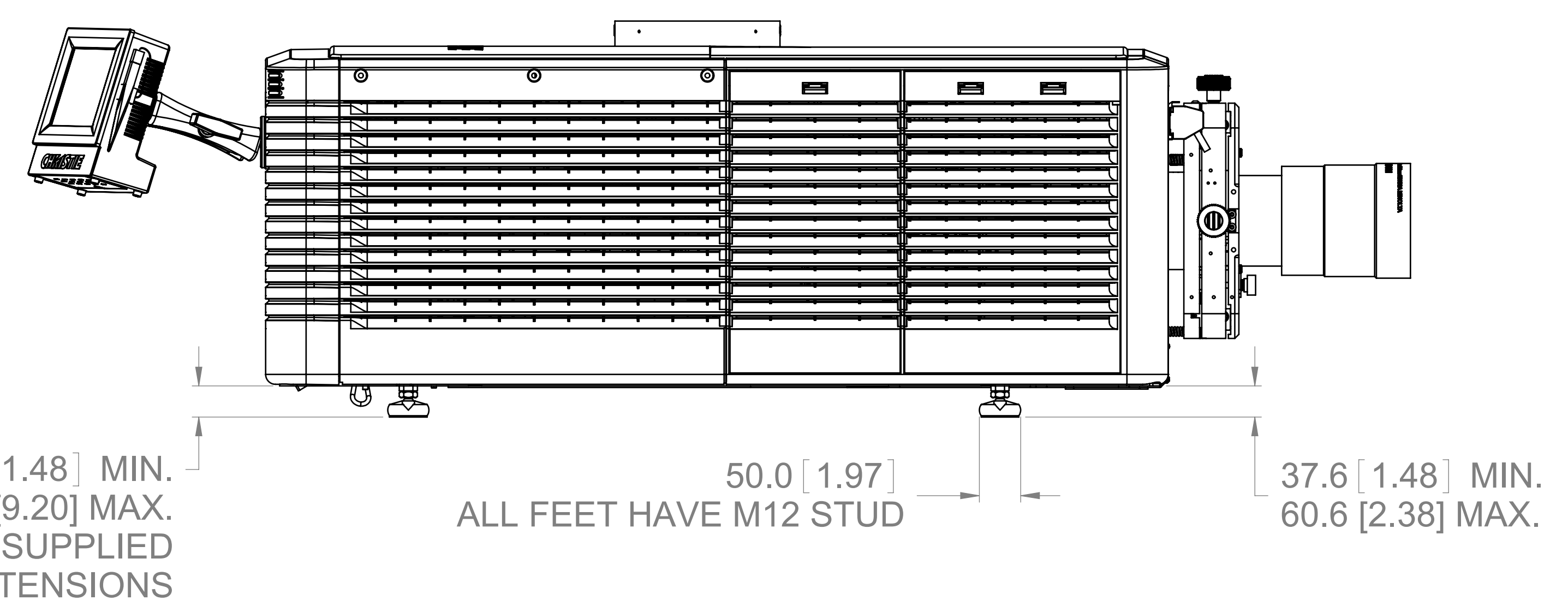
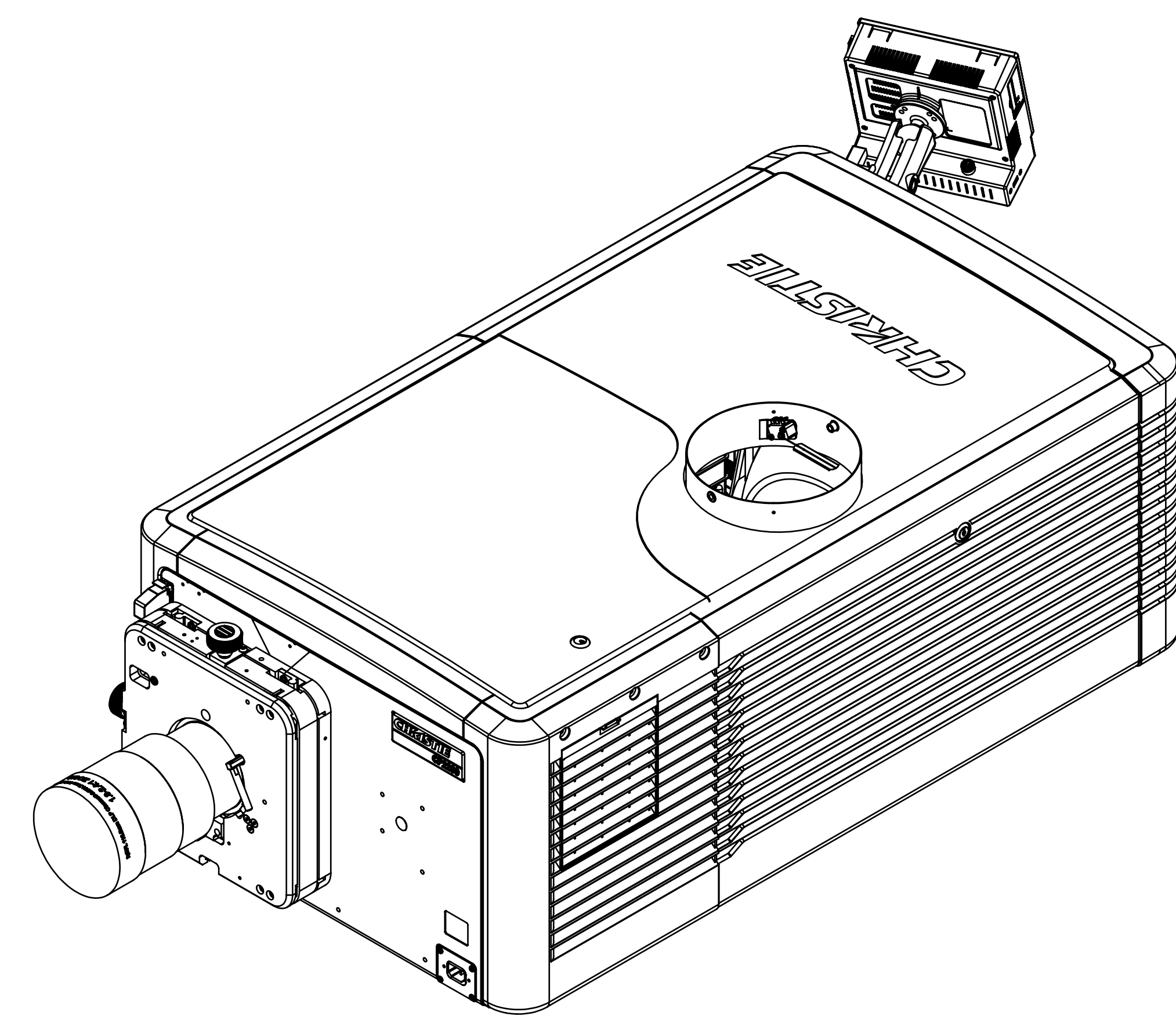
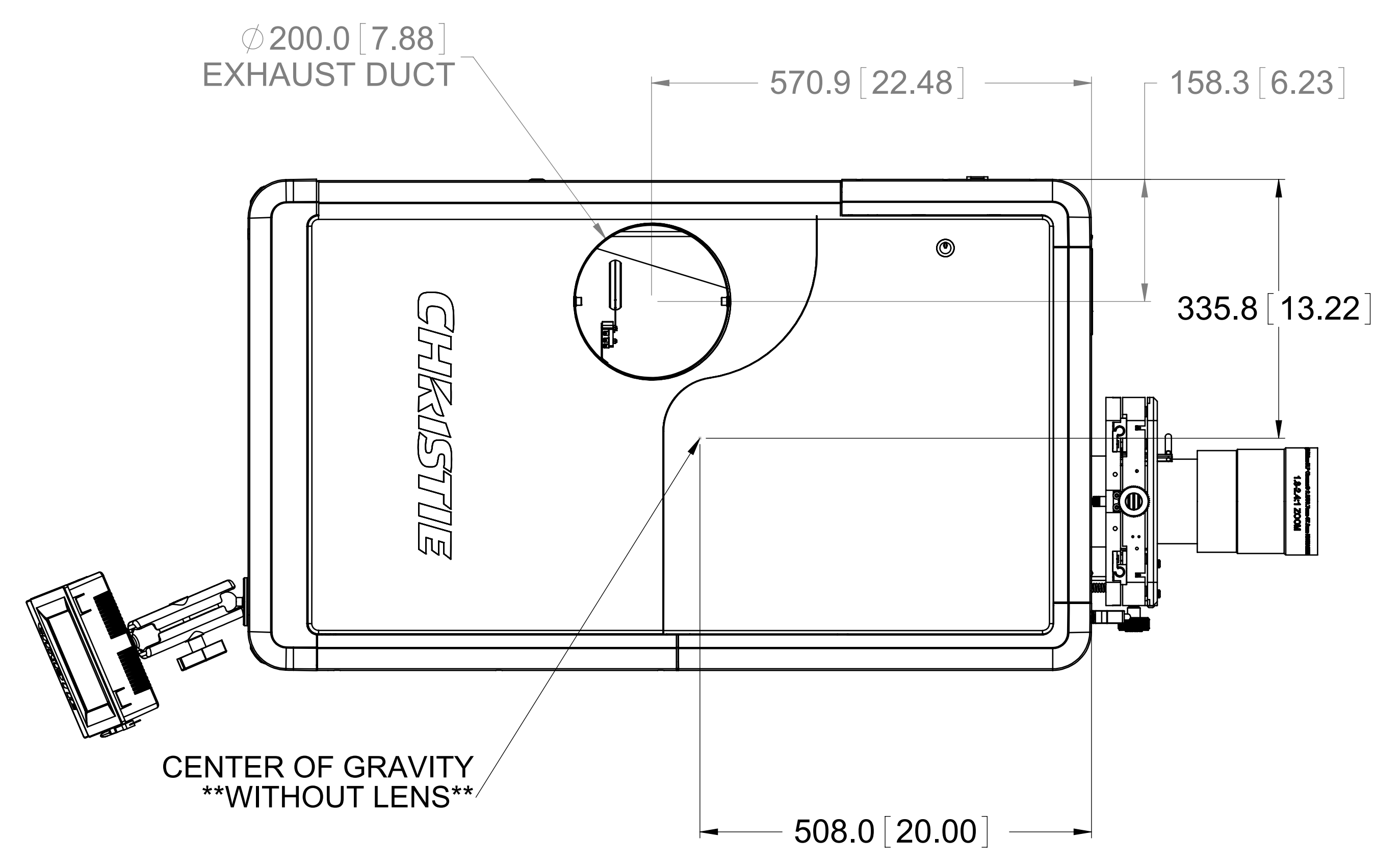


REV	DESCRIPTION OF CHANGE	BY	REV DATE
01	ORIGINAL RELEASE	JT	12/08/2009
02	ADDED PAGE 3 TO INCLUDE UPS INFORMATION	JT	02/25/2010
03	CHANGED EXHAUST REQ MTS AND ADDED POWER CONSUMPTION AND HEAT LOAD VALUES	PT	06/16/2011



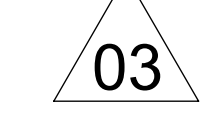
SEE LENS CHART

LENS	DIMENSION
1.25-1.45	356.9 [14.05]
1.25-1.83	374.9 [14.75]
1.45-1.8	305.2 [12.02]
1.45-2.05	329.5 [12.97]
1.6-2.4	326.2 [12.84]
1.8-2.4	293.5 [11.56]
1.8-3.0	237.9 [9.37]
2.15-3.6	240.6 [9.47]
2.2-3.0	249.0 [9.80]
3.0-4.3	293.9 [11.57]
4.3-6.0	366.2 [14.42]
5.5-8.5	412.1 [16.22]

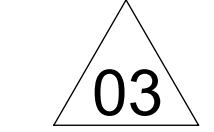
GENERAL NOTES:

MASS: 111 kg (245 lbs) NO LENS

AMBIENT AIR TEMPERATURE: 10°C (50°F) - 35°C (95°F) MAX.  
EXHAUST REQUIREMENTS: 600 cfm @ 0 - 3000FT ELEVATION  
800 cfm @ > 3000FT ELEVATION



POWER REQUIREMENTS: SINGLE PHASE 200-240 VAC, 15 AMP BREAKER  
SINGLE PHASE 100-240 VAC (UPS)



POWER CONSUMPTION (HEAD ONLY): 1.4 kW max  
ROOM HEAT LOAD: 9,600 BTU/h max\*  
EXHAUST HEAT LOAD: 22,400 BTU/h max\*  
\* HEAT LOAD VALUES BASED ON 6kW LAMP RUNNING AT 110%

TILT ANGLE: 15° MAX. BACK TO FRONT (REAR FEET ADJUSTMENT)

UNITS	INCHES	MILLIMETRES
DECIMAL PLACES	INCHES	MILLIMETRES
XXX	± 0.03	± 1.4
XX	± 0.15	± 3.8
X	± 0.50	± 12.7
ANGULAR DIMENSIONS	± 0.1°	
XX°	± 0.5°	

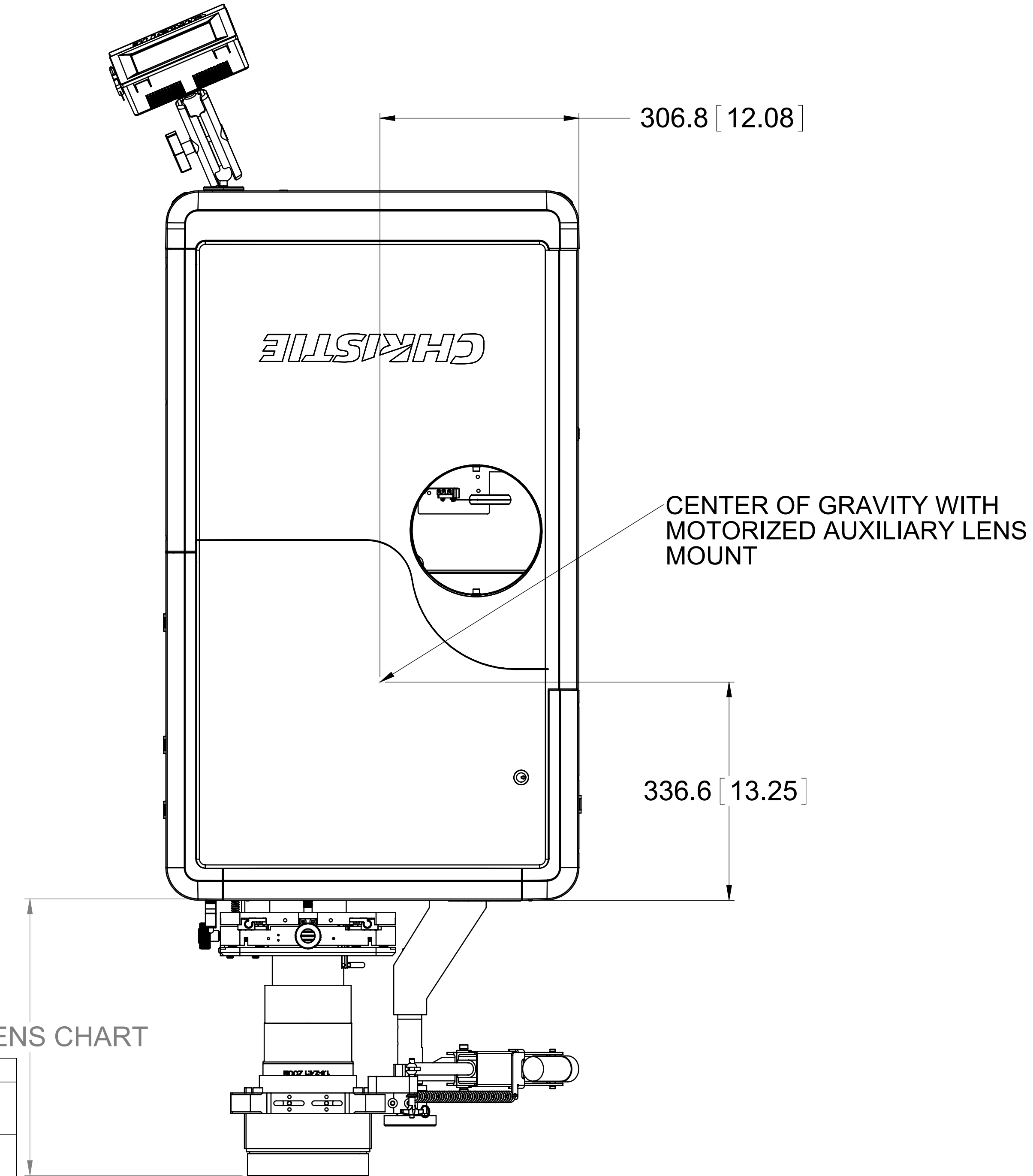
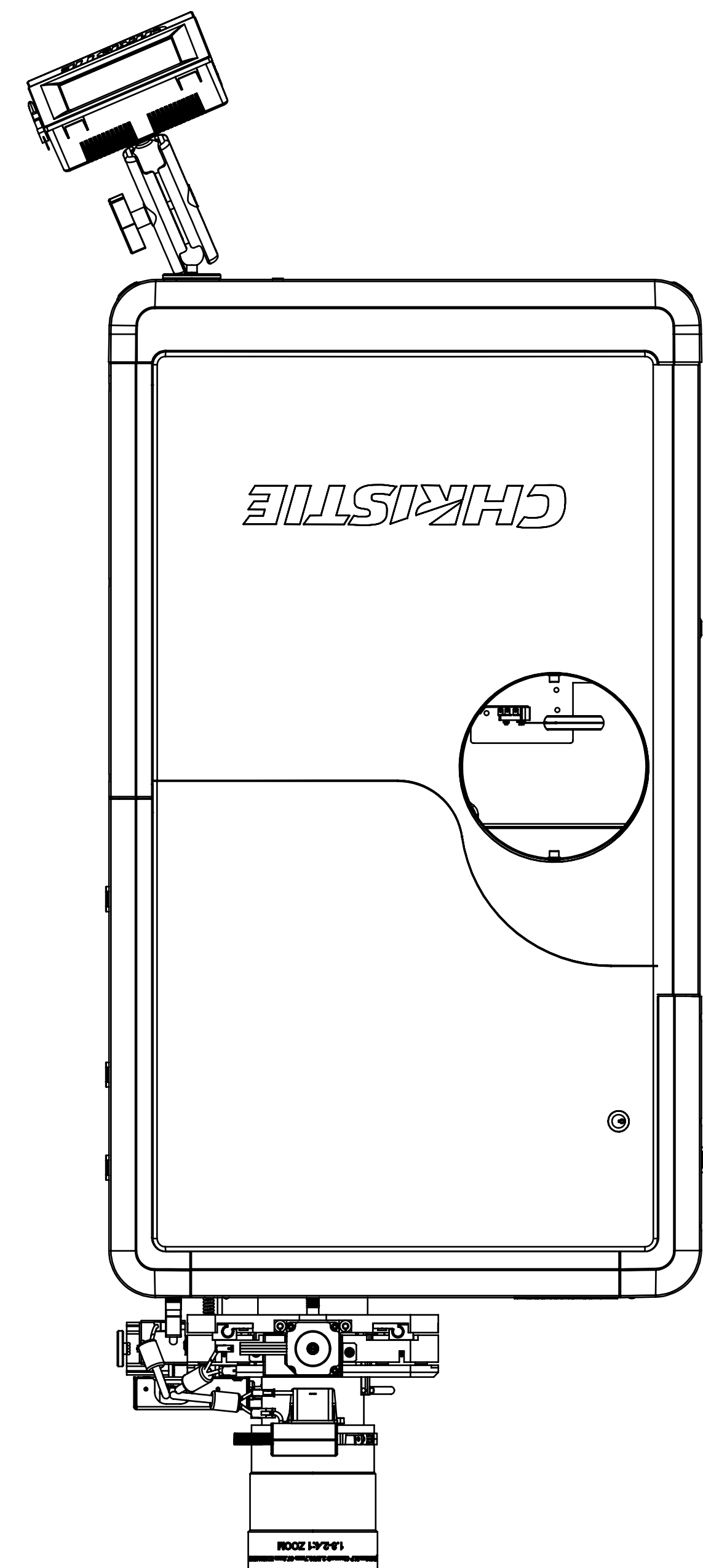
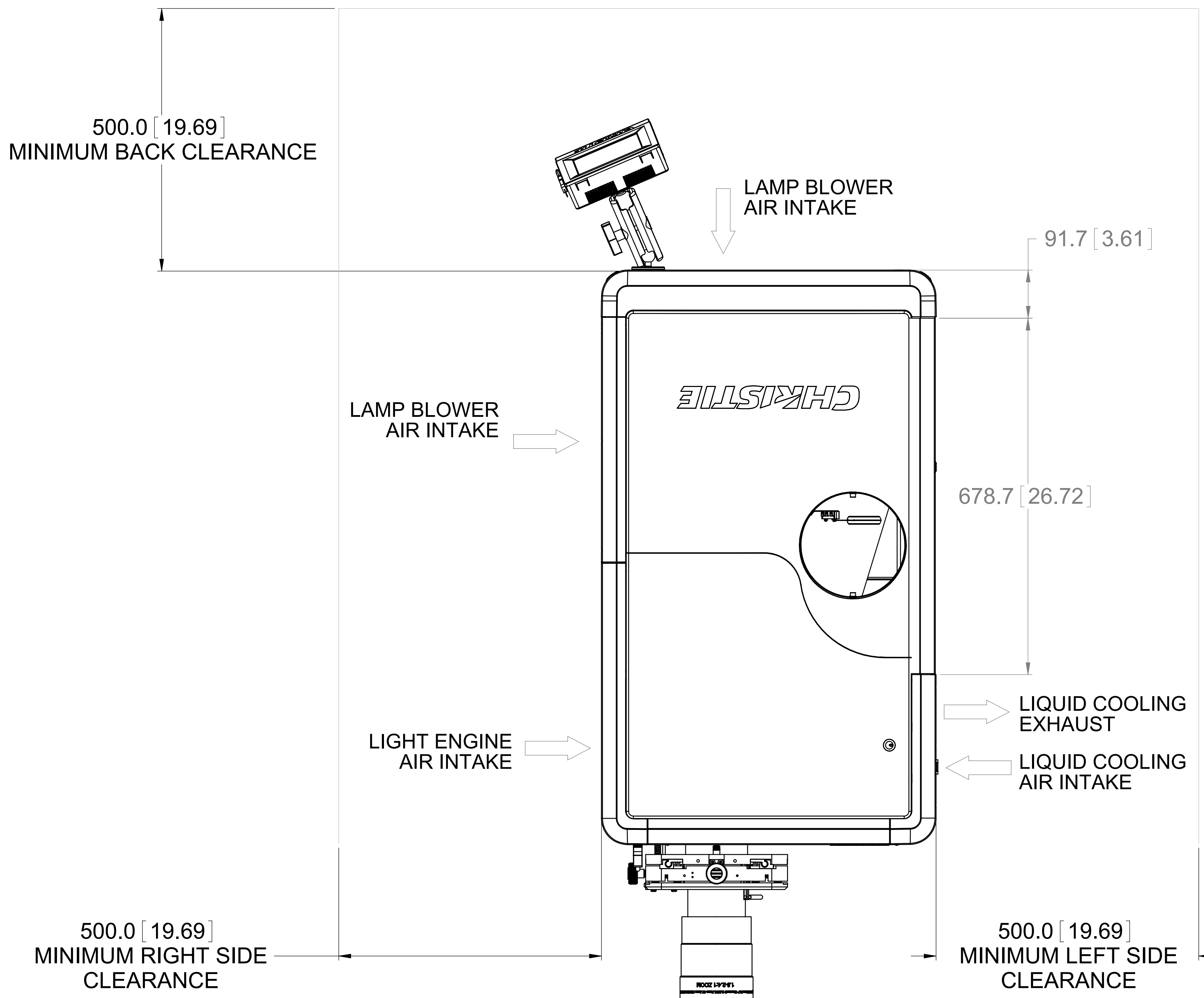
DRAWN BY: P. SAVICH	DATE: 06/16/2011
APPROVED BY: E. VOSS	DATE: 06/16/2011

**CHRISTIE** CHRISTIE DIGITAL SYSTEMS USA, INC. CHRISTIE DIGITAL SYSTEMS CANADA, INC.

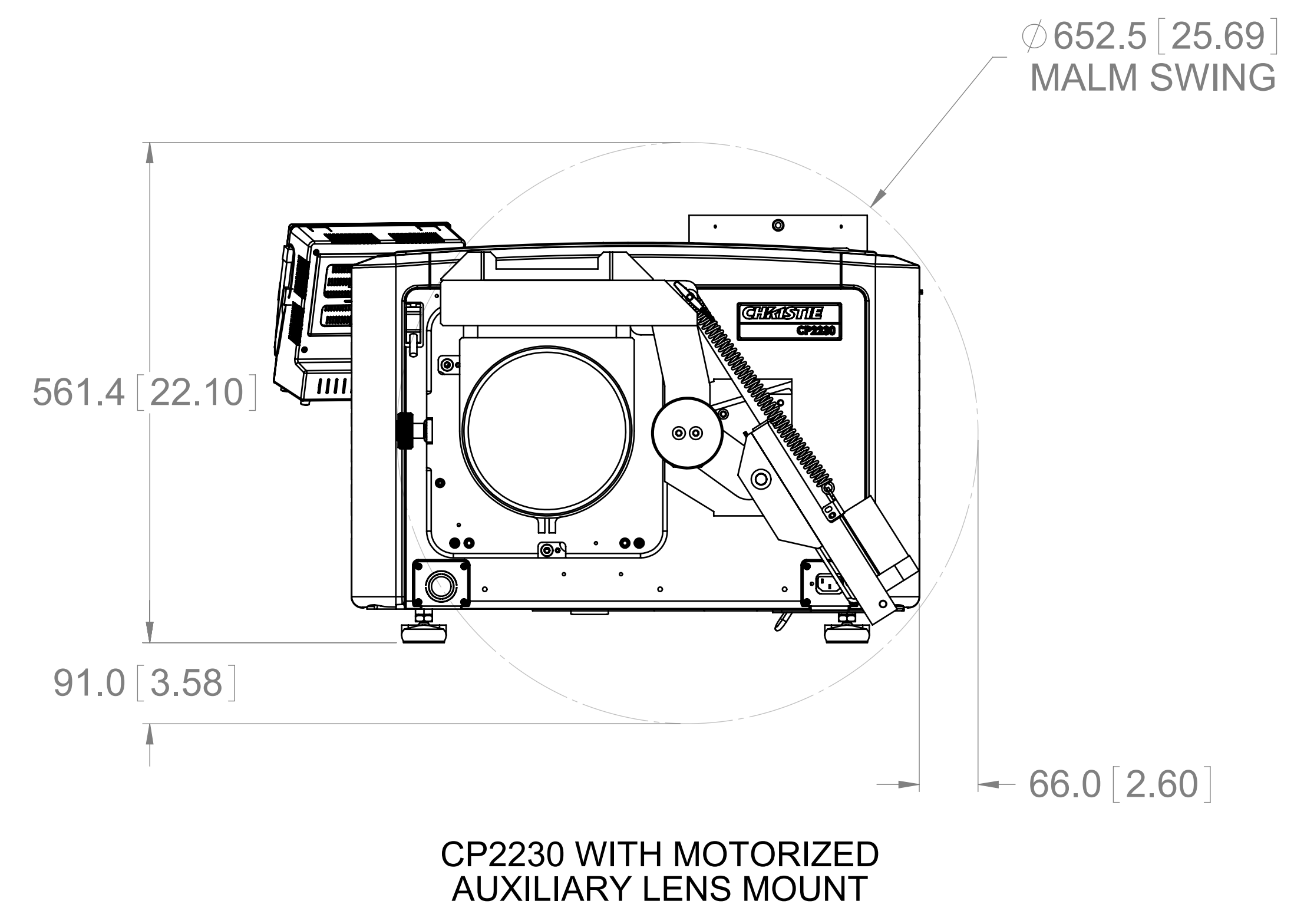
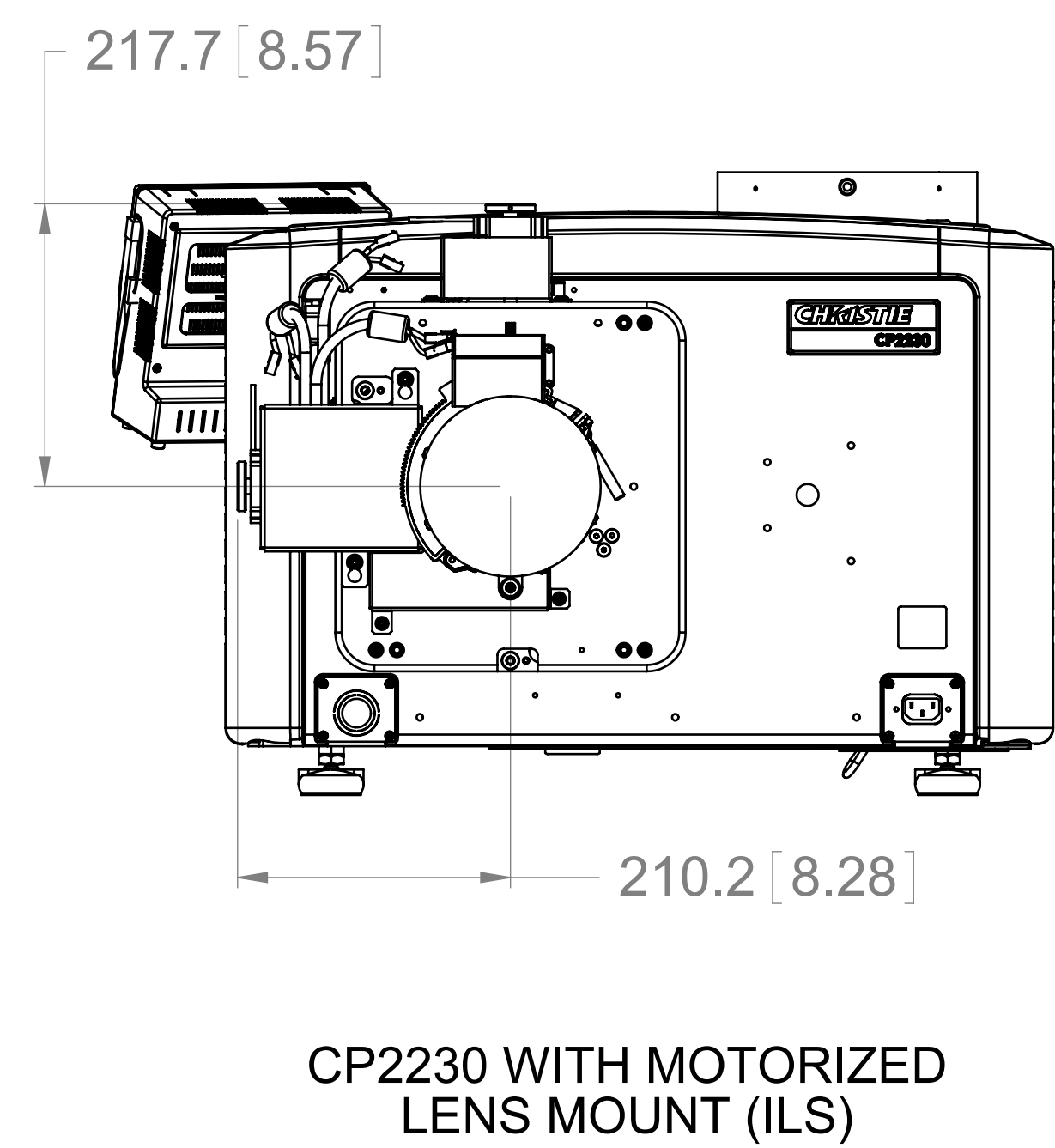
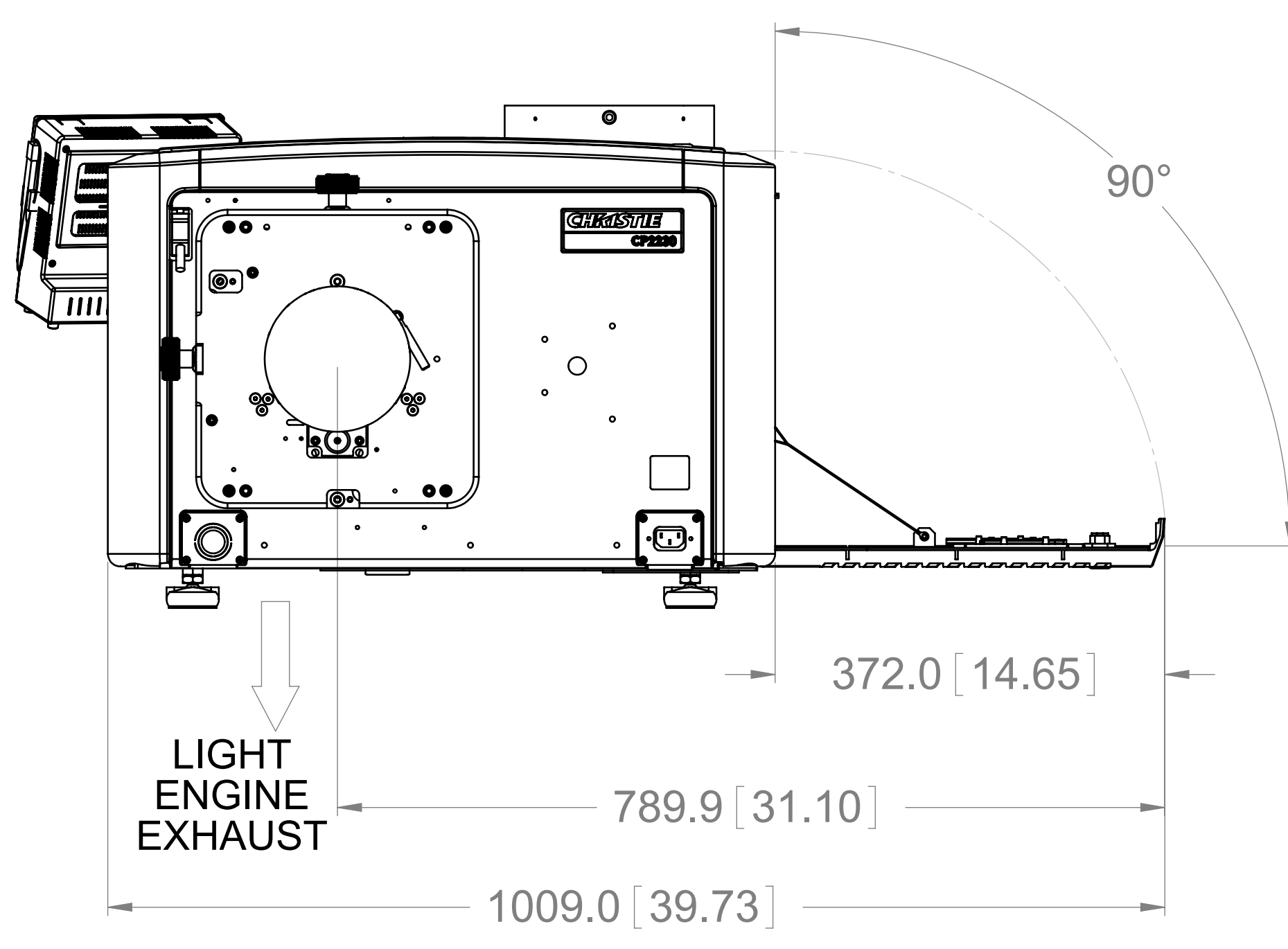
**LINE DWG CP2230**

020-100510-01 03

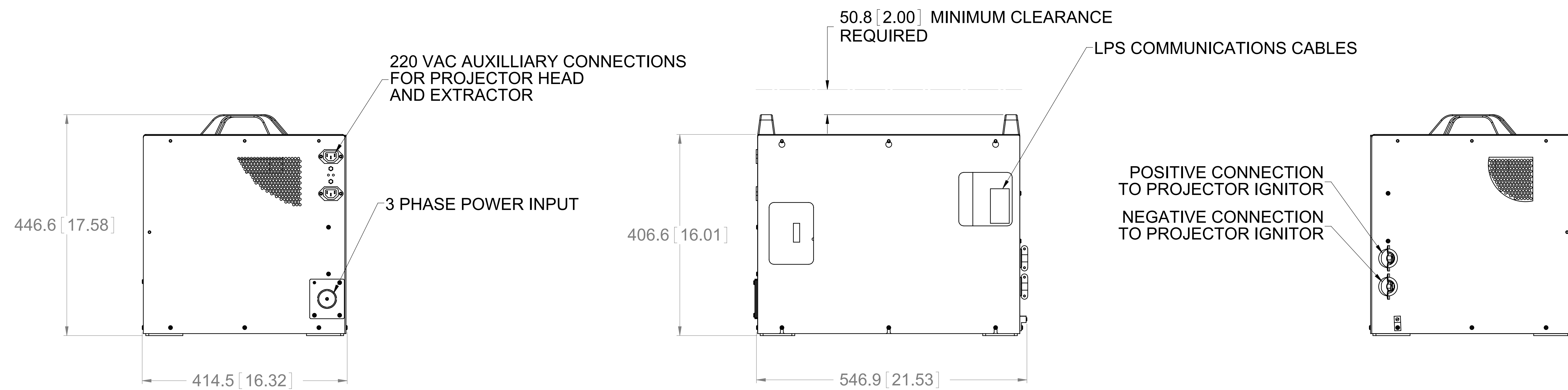
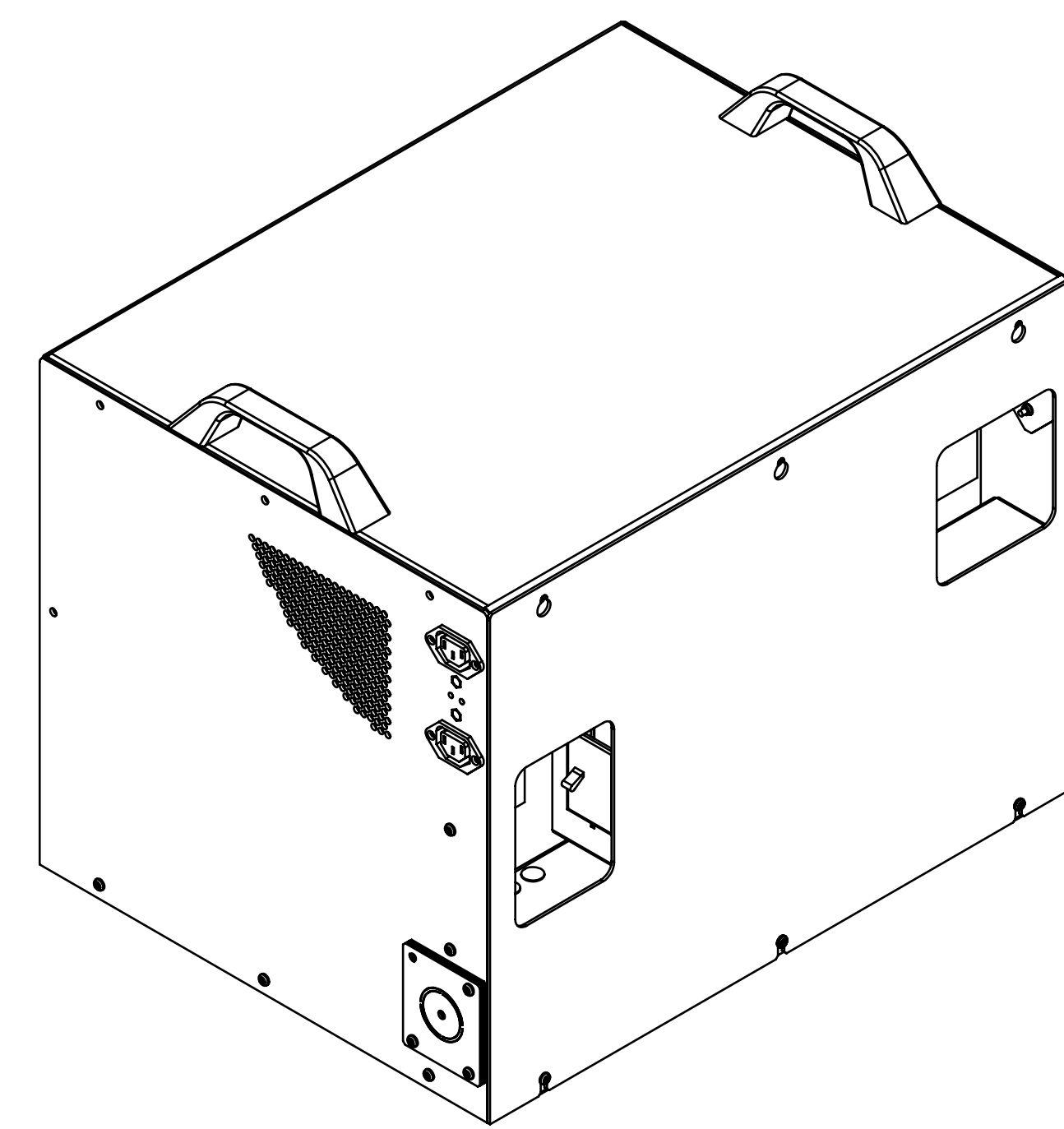
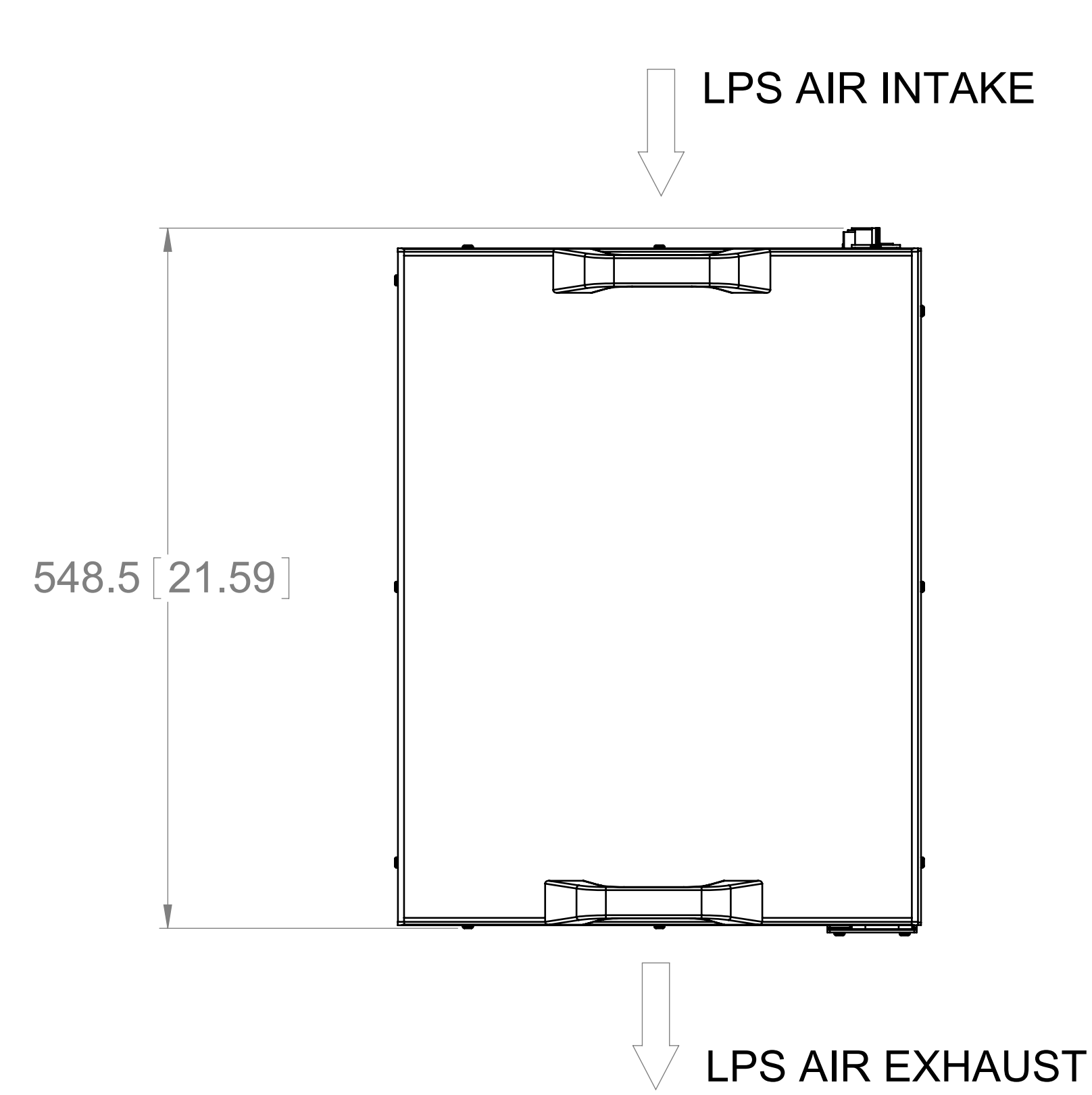
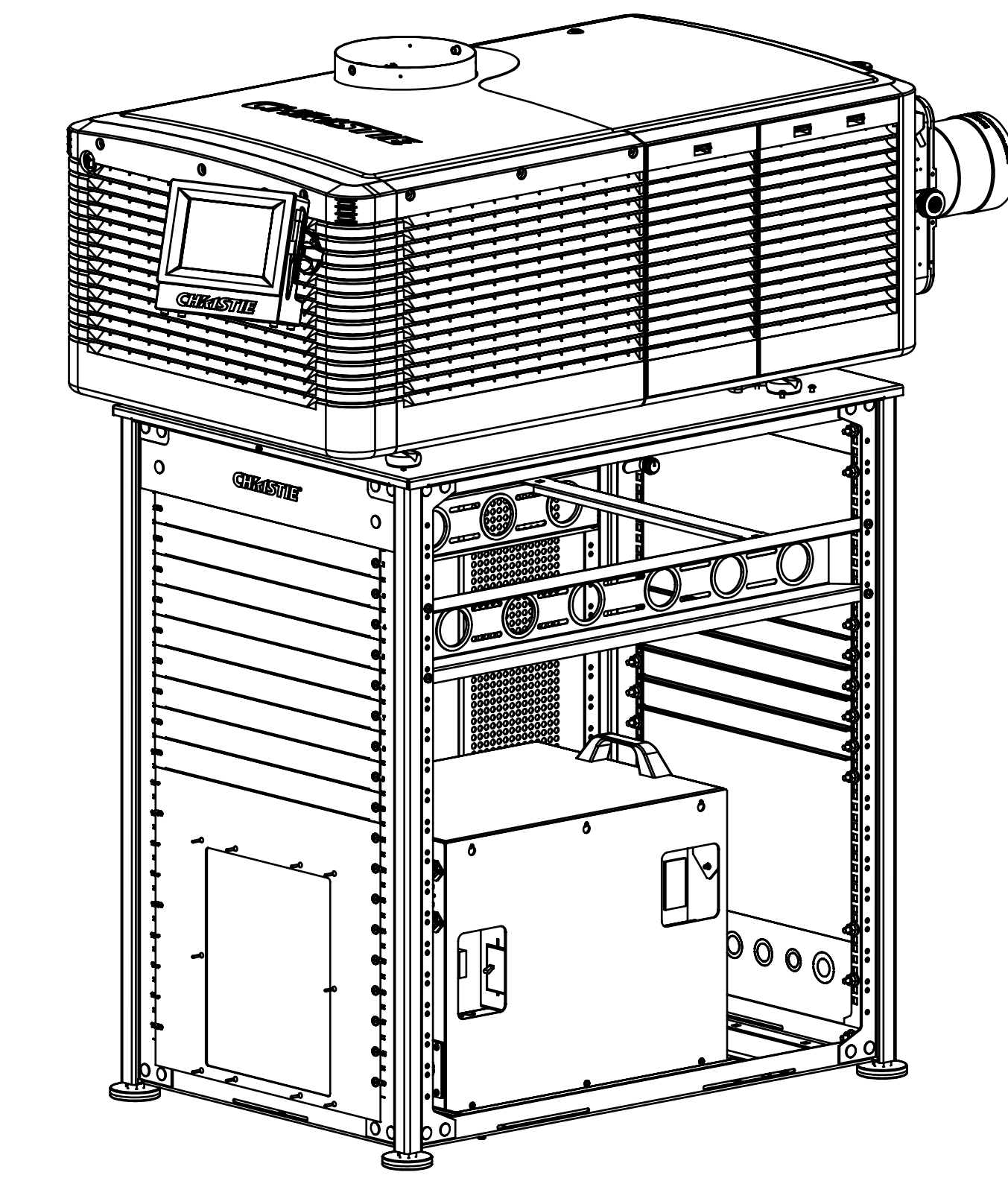
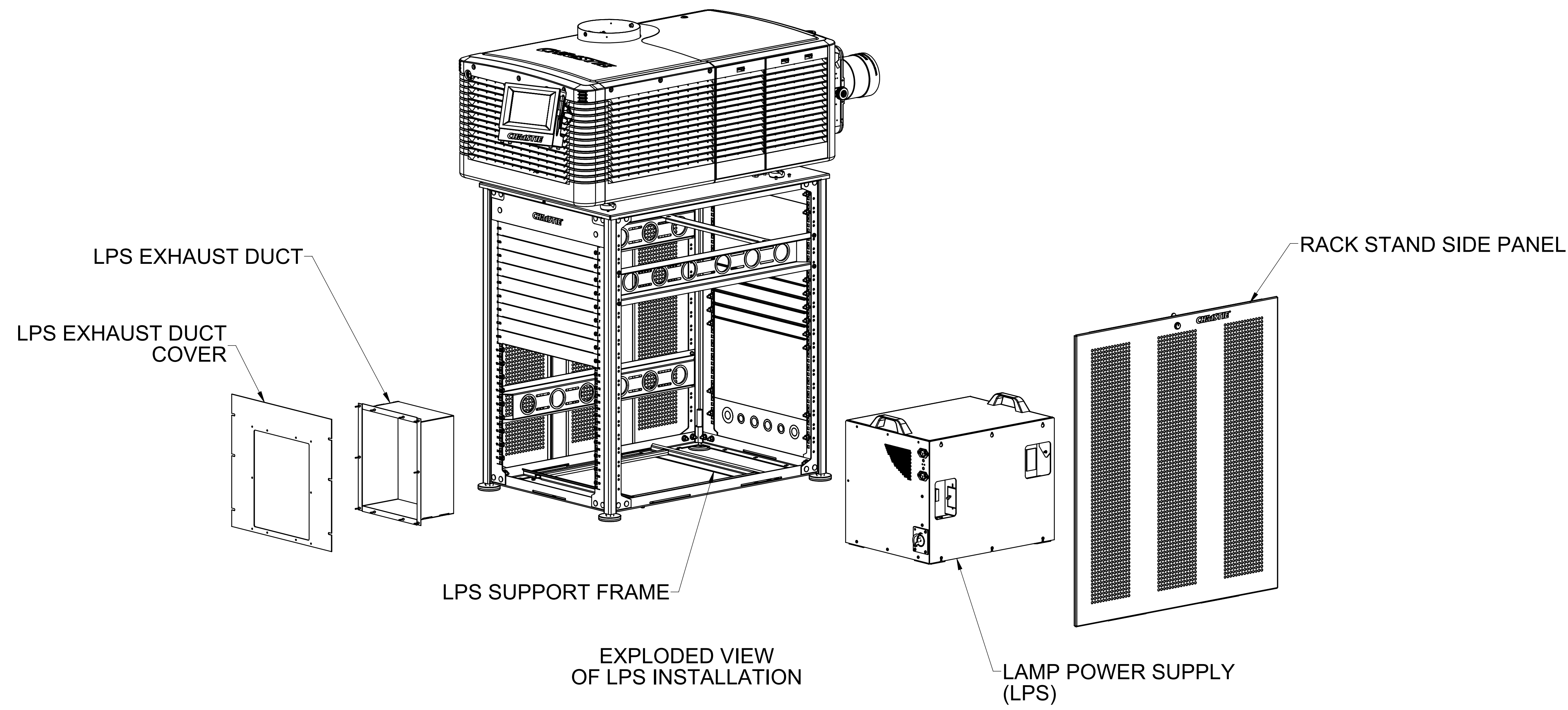
SCALE: 1:5 MASS: - LBS (- KG) SHEET 1 OF 3



LENS	DIMENSION
1.45-1.8	463.9 [18.26]
1.8-2.4	452.2 [17.80]
2.2-3.0	407.7 [16.05]
3.0-4.3	452.6 [17.81]







02

LAMP POWER SUPPLY INFORMATION:  
WEIGHT: 32 kg (70LBS)  
ELECTRICAL CONNECTION:  
3Ø 220/400 VAC 50/60 Hz, 50AMP BREAKER

03 POWER CONSUMPTION (LAMP + HEAD):  
13.2 kW (200-230V, 38A max.)  
17.1 kW (380-415V, 26A max.)

COMMUNICATION CONNECTIONS: RS232 (x2)  
IGNITOR CONNECTIONS: M12 LUG (x2)