

User Guide  
020-103273-01

# Vive Audio LA3i Speaker

**CHRISTIE®**

## NOTICES

### COPYRIGHT AND TRADEMARKS

Copyright © 2020 Christie Digital Systems USA Inc. All rights reserved.

All brand names and product names are trademarks, registered trademarks or trade names of their respective holders.

### GENERAL

Every effort has been made to ensure accuracy, however in some cases changes in the products or availability could occur which may not be reflected in this document. Christie reserves the right to make changes to specifications at any time without notice. Performance specifications are typical, but may vary depending on conditions beyond Christie's control such as maintenance of the product in proper working conditions. Performance specifications are based on information available at the time of printing. Christie makes no warranty of any kind with regard to this material, including, but not limited to, implied warranties of fitness for a particular purpose. Christie will not be liable for errors contained herein or for incidental or consequential damages in connection with the performance or use of this material. Manufacturing facilities in Canada and China are ISO 9001 certified. Manufacturing facilities in Canada are also ISO 14001 certified.

### WARRANTY

Products are warranted under Christie's standard limited warranty, the complete details of which are available by contacting your Christie dealer or Christie. In addition to the other limitations that may be specified in Christie's standard limited warranty and, to the extent relevant or applicable to your product, the warranty does not cover:

- a. Problems or damage occurring during shipment, in either direction.
- b. Problems or damage caused by combination of a product with non-Christie equipment, such as distribution systems, cameras, DVD players, etc., or use of a product with any non-Christie interface device.
- c. Problems or damage caused by misuse, improper power source, accident, fire, flood, lightning, earthquake, or other natural disaster.
- d. Problems or damage caused by improper installation/alignment, or by equipment modification, if by other than Christie service personnel or a Christie authorized repair service provider.
- e. Use of third party product enclosures for environmental protection during outside use must be approved by Christie.
- f. Problems or damage caused by use of a product on a motion platform or other movable device where such product has not been designed, modified or approved by Christie for such use.
- g. Except where the product is designed for outdoor use, problems or damage caused by use of the product outdoors unless such product is protected from precipitation or other adverse weather or environmental conditions and the ambient temperature is within the recommended ambient temperature set forth in the specifications for such product.
- h. Defects caused by normal wear and tear or otherwise due to normal aging of a product.

The warranty does not apply to any product where the serial number has been removed or obliterated. The warranty also does not apply to any product sold by a reseller to an end user outside of the country where the reseller is located unless (i) Christie has an office in the country where the end user is located or (ii) the required international warranty fee has been paid.

The warranty does not obligate Christie to provide any on site warranty service at the product site location.

### PREVENTATIVE MAINTENANCE

Preventative maintenance is an important part of the continued and proper operation of your product. Failure to perform maintenance as required, and in accordance with the maintenance schedule specified by Christie, will void the warranty.


### REGULATORY

The product has been tested and found to comply with the limits for a Class A digital device, pursuant to Part 15 of the FCC Rules. These limits are designed to provide reasonable protection against harmful interference when the product is operated in a commercial environment. The product generates, uses, and can radiate radio frequency energy and, if not installed and used in accordance with the instruction manual, may cause harmful interference to radio communications. Operation of the product in a residential area is likely to cause harmful interference in which case the user will be required to correct the interference at the user's own expense. Changes or modifications not expressly approved by the party responsible for compliance could void the user's authority to operate the equipment

CAN ICES-3 (A) / NMB-3 (A)

이 기기는 업무용(A급)으로 전자파적합등록을 한 기기이오니 판매자 또는 사용자는 이점을 주의하시기 바라며, 가정 외의 지역에서 사용하는 것을 목적으로 합니다.

### ENVIRONMENTAL

The product is designed and manufactured with high-quality materials and components that can be recycled and reused. This symbol  means that electrical and electronic equipment, at their end-of-life, should be disposed of separately from regular waste. Please dispose of the product appropriately and according to local regulations. In the European Union, there are separate collection systems for used electrical and electronic products. Please help us to conserve the environment we live in!

# Content

- Introduction. . . . . 4**
  - Safety and warning guidelines. . . . . 4
    - Installation safety. . . . . 4
    - Operation safety. . . . . 5
    - Maintenance safety. . . . . 5
  - Product documentation. . . . . 5
    - Related documentation. . . . . 5
  - Permissible sound pressure level limits. . . . . 6
  - Cleaning products. . . . . 6
  - Included components. . . . . 6
  
- Installation. . . . . 7**
  - Connecting the speaker wires. . . . . 7
  - Mounting the LA3i on an S115 or S215 subwoofer. . . . . 7
  - Wall mounting the LA3i speaker. . . . . 8
  - Available safety cables. . . . . 9
  
- Troubleshooting. . . . . 10**
  - The speaker does not function. . . . . 10
  - The speaker sound is degraded. . . . . 10
  - There is audible noise from speaker. . . . . 11
  - Technical support. . . . . 11
  
- LA3i speaker Specifications. . . . . 12**
  - Audio. . . . . 12
  - Power requirements. . . . . 13
  - Physical. . . . . 13
  - Accessories. . . . . 13

# Introduction

The Christie LA3i articulated coaxial line array speaker is designed to be paired with an appropriate subwoofer and bi-amped as part of a screen channel in auditoriums with up to approximately 400 seats.

It may also be used for a range of other applications, where vertical coverage and maximum throw distance are appropriate.

The speaker contains an internal passive crossover, allowing it to operate with a single channel amplifier. Multiple hardware attachment points on the speaker allow for multiple installation options.

## Safety and warning guidelines

Read all safety and warning guidelines before installing, operating, or maintaining the speakers.

### Installation safety

The following guidelines apply when installing the speakers.



**Warning!** If not avoided, the following could result in death or serious injury.

- Before installation, inspect all components for cracks, deformations, corrosion, and missing or damaged parts that could reduce their installation strength.
- A minimum of two people or appropriately rated lift equipment is required to safely lift, install, or move the product.
- The supporting structure must safely support the combined load of the product, all attached hardware, and components following all local safety standards and regulations.
- Always install all legally required safety straps or cables.
- Install the minimum number of rigging wires required to suspend the speaker.
- Observe load ratings and applicable local safety codes.
- FIRE AND SHOCK HAZARD! Use only the attachments, accessories, tools, and replacement parts specified by Christie.



**Caution!** If not avoided, the following could result in minor or moderate injury.

- FIRE HAZARD! Do not install near any devices that produce heat such as amplifiers, radiators, heat registers, or stoves.
- Christie products must be installed and serviced by Christie qualified technicians.



**Notice.** If not avoided, the following could result in property damage.

- Always turn off and disconnect the amplifiers from power before making audio connections or servicing a speaker.

## Operation safety

The following guidelines apply when operating the speakers.



**Caution!** If not avoided, the following could result in minor or moderate injury.

- To prevent permanent hearing loss, ear protection (ear plugs, canal protectors, or ear muffs) must be worn when operating the amplification system.
- Do not expose the product to moisture.
- Do not place objects containing liquids on the product.



**Notice.** If not avoided, the following could result in property damage.

- Speakers exposed to extremely low temperatures must be allowed to warm for a minimum of one hour before playing them at typical application levels.

## Maintenance safety

The following guidelines apply when maintaining the speakers.



**Caution!** If not avoided, the following could result in minor or moderate injury.

- Only clean the components with Christie approved products.



**Notice.** If not avoided, the following could result in property damage.

- Always turn off and disconnect the amplifiers from power before making audio connections or servicing a speaker.
- Any changes to the product not approved by Christie will void the warranty.

## Product documentation

For installation, setup, and user information, see the product documentation available on the Christie website. Read all instructions before using or servicing this product.

1. Access the documentation from the Christie website:

- Go to this URL: <http://bit.ly/374HaiA> or <https://www.christiedigital.com/en-us/cinema/cinema-products/cinema-speakers/cinema-surround-speakers>.
- Scan the QR code using a QR code reader app on a smartphone or tablet.



2. On the product page, select the model and switch to the **Downloads** tab.

## Related documentation

Additional information on this product is available in the following documents.

- *Vive Audio LA3i Speaker Product Safety Guide (P/N: 020-103284-XX)*

## Permissible sound pressure level limits

Exposure to extremely high noise levels may cause permanent hearing loss.

Individuals vary considerably in their susceptibility to noise-induced hearing loss, but nearly everyone will lose some hearing if exposed to intense noise for a sufficient length of time.

Earplugs or protectors to the ear canals or over the ears must be worn when operating this amplification system to prevent permanent hearing loss, if exposure is in excess of the following permissible limits provided by the United States Occupational Safety and Health Administration (OSHA):

Duration (consecutive)	Sound level (dbA), slow responses
8 hrs	90
6 hrs	92
4 hrs	95
3 hrs	97
2 hrs	100
1.5 hrs	102
1 hr	105
30 min	110
≤15 min	115

## Cleaning products

Clean the components with the following Christie approved products.

- Clean, dry, microfiber cloth

## Included components

This table lists the components that are shipped with the LA3i speaker.

Quantity	Description	Part number
1	Christie LA3i speaker	145-186106-XX

# Installation

To install the speaker, complete the following procedures.

## Connecting the speaker wires

Once the speaker is installed, connect the speaker wires to the amplifier.

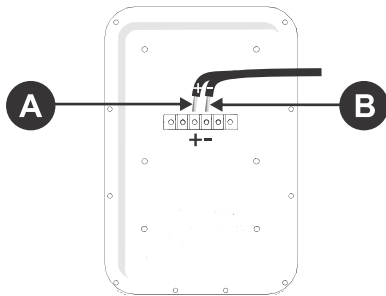


**Notice.** If not avoided, the following could result in property damage.

- Always turn off and disconnect the amplifiers from power before making audio connections or servicing a speaker.

1. Install the speaker according to the mounting instructions provided in this manual.
2. Connect the speaker wire to the positive (A) and negative (B) terminals on the back of the speaker.

If creating crimped spade lug terminations, use a #8 spade lug (P/N: 145-159106-XX).



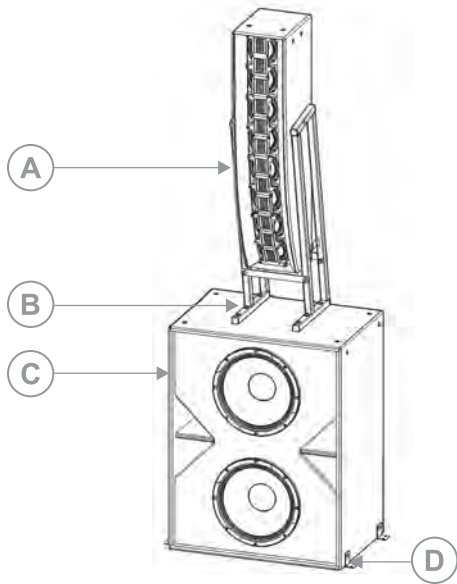
A	Positive (+) connections
B	Negative (-) connections

3. Connect the negative and positive speaker wires from the speaker to the corresponding terminals on the amplifier.
4. Turn on the amplifier and verify that the speaker is receiving an input signal by playing a test signal through the system.

## Mounting the LA3i on an S115 or S215 subwoofer

To install the LA3i loudspeaker and a S215 subwoofer on a platform, use the BKT-LA2/LA3i and BKS-SUB brackets.

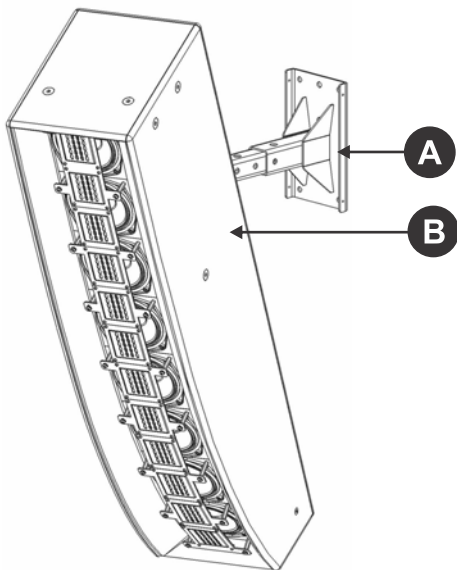
For mounting instructions, refer to *Christie Vive Audio BKT-LA2 Bracket User Manual (P/N: 020-101282-XX)* and *Christie Vive Audio BKS-SUB User Manual (P/N: 020-101288-XX)*.



## Wall mounting the LA3i speaker

Use a bracket to install the speaker on a wall.

1. Remove the four pre-installed M8 button head screws on the back of the speaker.
2. Attach the following bracket to the back of the speaker using the four M8 button head screws.
  - Wall mount bracket MM-120 (P/N: 111-693200-XX)
3. Mount the speaker to the wall using the manufacturer documentation provided with the bracket.



A	Wall mount bracket
---	--------------------



B	LA3i speaker
---	--------------

## Available safety cables

When choosing safety cables, always consult a qualified professional. The type of cable required is based on the speaker model, speaker mount, and installation specifications.



Do not use the backup safety cables as a primary suspension device.

The following cables are available to purchase from Christie:

- 18 in safety cable SC-018-BC (P/N: 003-006320-XX)
- 72 in safety cable SC-072-BC (P/N: 003-006321-XX)

If a different cable is required, contact an audio solution provider.

# Troubleshooting

For assistance with common issues, refer to the following troubleshooting topics.

If you cannot resolve your issue with the information provided, contact Christie Technical Support.

## The speaker does not function

The speaker is connected to the amplifier, but is not producing any sound.

### Resolution

- Verify that the speaker is receiving an input signal from the amplifier.
- Verify that the circuit breaker for the main circuit to the amplifier is closed.
- Verify that amplifier is powered on and attenuators or gain controls are at nominal settings.
- If open, reset the circuit breaker. If the AC mains breaker continues to open, check the voltage and amperage of the circuit.
- Verify that the speaker wires are correctly connected to the input terminals on the speaker and the terminals on the amplifier.

## The speaker sound is degraded

The speaker is receiving a signal and sound is being output, but it is distorted.

### Resolution

- Visually inspect the speaker for deterioration or holes.
- Ensure that the input signal to the amplifier is clean.
- Verify that attenuators or gain controls on amplifiers and any audio processors are at nominal settings.
- Verify that the speaker wires from the speaker are securely connected to the terminals on the amplifier.
- Verify that the speaker wires are correctly connected to the input terminals on the speaker.
- Verify there are no loose or missing screws. Replace all screws you removed during installation.
- Have an authorized dealer complete an audio test (for example, pink noise, frequency sweeps, and content and program material).

## There is audible noise from speaker

The speaker is producing audible noise when the amplifier driving it is powered on.

### Resolution

- Mute channels, one at a time, to isolate the problem.
- Verify that all line-level cables in the signal chain are in good condition.
- Ensure that the input signal to the amplifier is clean.
- Reroute audio cables away from AC power and lighting cables.
- Verify the correct gain structuring of B chain, input levels, and output levels of source devices and amplifiers.

## Technical support

Technical support for Christie products is available at:

- North and South America: +1-800-221-8025 or [Support.Americas@christiedigital.com](mailto:Support.Americas@christiedigital.com)
- Europe, Middle East, and Africa: +44 (0) 1189 778111 or [Support.EMEA@christiedigital.com](mailto:Support.EMEA@christiedigital.com)
- Asia Pacific: +65 6877-8737 or [Support.APAC@christiedigital.com](mailto:Support.APAC@christiedigital.com)

# LA3i speaker Specifications

Learn about the product specifications. Due to continuing research, specifications are subject to change without notice.

## Audio

Learn about the audio specifications.

Specification	Description
System type	Coaxial, two-way, passive, sealed enclosure.
Driver components	<ul style="list-style-type: none"> <li>• 12 x 3.5 in. ribbon drivers with Kapton diaphragm and Neodymium magnets</li> <li>• 8 x 5.25 in. paper/Kevlar composite mid-bass cone drivers</li> </ul>
Crossover	@ 1.5kHz, high power, heat sink cooled air core inductors, polypropylene capacitors
Effective frequency range <sup>1</sup>	90 Hz - 20 kHz
Sensitivity <sup>2</sup> , 1 W/1 m	98 dB
Maximum sound pressure level (SPL) <sup>3</sup>	127 dB continuous, 128.8 dB long term, 130 dB short term
System coverage <sup>4</sup>	100° horizontal, 40° vertical
Recommended amplifier power	900 W - 2000 W at 4 Ohms
Rated impedance	4 Ohms

<sup>1</sup> According to IEC 60268-5 standard. Calculated at -10dB.

<sup>2</sup> Measured at a distance of 4m, free field and ground plane conditions. Sensitivity is calculated based on the measured SPL response averaged in the 200 Hz-4 kHz range and scaled back to 1m.

<sup>3</sup> Continuous power handling tested for 2 hours using IEC noise signal. IEC refers to IEC 60268-5 standard. Maximum continuous SPL is calculated based on sensitivity and power handling.

<sup>4</sup> Averaged in 500 Hz -10 kHz range at -6dB. Screen scattering effect will result in slight increase of coverage at HF.

## Power requirements

Learn about the power specifications.

Specification	Description
Power handling	800 W continuous, 1200 W long-term, 1600 W short-term

## Physical

Learn about the physical specifications.

Specification	Description
Input connectors	Screw terminal barrier strip.
Enclosure	<ul style="list-style-type: none"> <li>• Closed box alignment</li> <li>• 18 mm marine plywood</li> <li>• Heavily damped and braced</li> </ul>
Dimensions (H x W x D)	30.99 cm x 23.88 cm x 110 cm (12.2 in.) x (9.4 in.) x (43.3 in.)
Net weight	27.3 kg (60 lb)

## Accessories

The following optional accessories are available to be used with the speakers.

Accessory	Part number
Christie Vive Audio S115 Subwoofer	145-108100-XX
Christie Vive Audio S215 Subwoofer	145-103105-XX
BKT-LA2/LA3i Tilt Bracket (for mounting on the Christie S115 or S215)	145-150107-XX
BKS-SUB bracket (for platform mounting)	145-110103-XX
Wall mount bracket (MM-120)	111-693200-XX
SpeakON Connector (for amplifier output to speaker)	145-158105-XX
#8 Spade Lug (for speaker input from amplifier)	145-159106-XX
18 in safety cable SC-018-BC	003-006320-XX
72 in safety cable SC-072-BC	003-006321-XX

## Corporate offices

---

Christie Digital Systems USA, Inc.  
ph: 714 236 8610

Christie Digital Systems Canada Inc.  
ph: 519 744 8005

## Worldwide offices

---

Africa  
ph: +27 (0)11 510 0094

Australia  
ph: +61 (0) 7 3624 4888

Brazil  
ph: +55 (11) 2548 4753

China (Beijing)  
ph: +86 10 6561 0240

China (Shanghai)  
ph: +86 21 6030 0500

Columbia  
ph: +57 (318) 447 3179

France  
ph: +33 (0) 1 41 21 44 04

Germany  
ph: +49 (0) 221 99512 0

India  
ph: +91 (080) 6708 9999

Japan (Tokyo)  
ph: 81 3 3599 7481

Korea (Seoul)  
ph: +82 2 702 1601

Mexico  
ph: +52 55 4744 1790

Singapore  
ph: +65 6877 8737

Spain  
ph: +34 91 633 9990

Middle East  
ph: +971 (0) 503 6800

United Kingdom  
ph: +44 (0) 118 977 8000

United States (Arizona)  
ph: 602 943 5700

## Independant sales consultant offices

---

Italy  
ph: +39 (0) 2 9902 1161

Russia  
ph: +36 (0) 1 47 48 100



For the most current technical documentation, visit [www.christiedigital.com](http://www.christiedigital.com).

