

Installing the Cinema 2K-RBe pedestal

The Cinema 2K-RBe pedestal (P/N: 153-137102-XX and 153-138103-XX) is designed to hold the projectors listed below. This document provide instruction for installing and adjusting the pedestal.

Supported projectors

The following projectors can be used with the Cinema 2K-RBe pedestal.

Projector	Length	Width	Height	Weight	Part number
CP2406-RBe	696 mm (27.4inches)	688.3 mm (27.1 inches)	396.2 mm (15.6 inches)	56.5 kg (124.5lbs)	153-022105-XX 153-029102-XX 153-032106-XX
CP2409-RBe	696 mm (27.4inches)	688.3 mm (27.1 inches)	396.2 mm (15.6 inches)	56.5 kg (124.5lbs)	153-023106-XX 153-030104-XX 153-033107-XX
CP2411-RBe	696 mm (27.4inches)	688.3 mm (27.1 inches)	396.2 mm (15.6 inches)	56.5 kg (124.5lbs)	153-024107-XX 153-031105-XX 153-034108-XX

Safety guidelines

Read all safety and warning guidelines before installing the pedestal.



Warning! If not avoided, the following could result in death or serious injury.

- Two or more people are required to safely lift and install the Christie product.
- Tip Hazard! Securely fasten the pedestal to the floor using anchoring screws.

Key features

Understand important features of this pedestal.

- Adjustable height from 45 to 120 mm (1.8 to 4.7 inches)
- Adjustable angle from 0 to 15 degrees
- Casters
- Projector foot lock

- Pedestal foot lock
- Convenient cable routing and access
- Easy panel installation(optional)

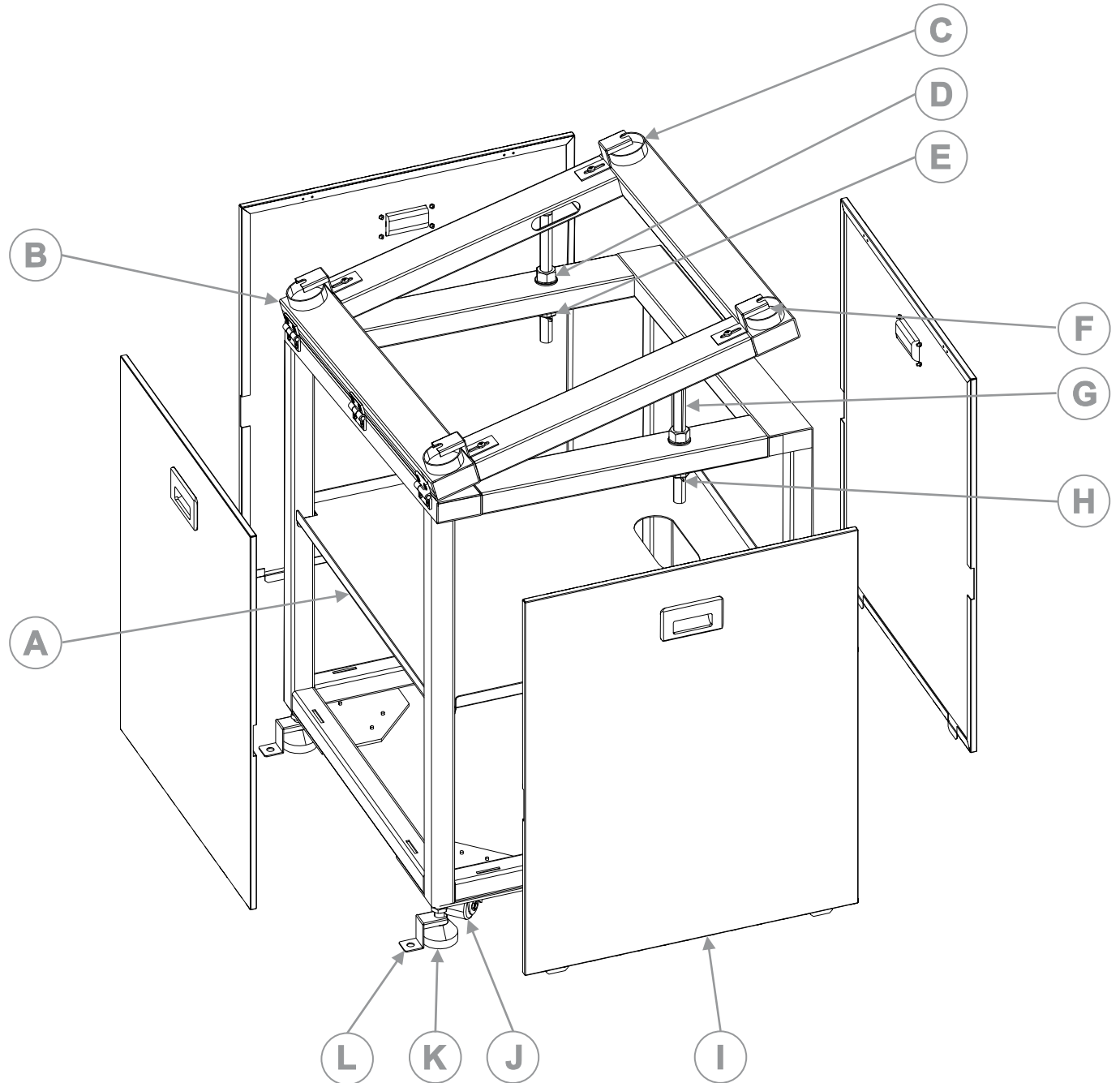
What is in the box?

The following components are shipped for the Cinema 2K-RBe pedestal. Verify you have all these items before installing the pedestal.

Component	Quantity
Pedestal body	1
Leveling feet	4
Pedestal foot locks	4
Cable ties	10
M6 screws for casters	16
Projector feet lock bracket	4
M6 projector feet screws	4
Anchoring screws	4
Casters	4

Pedestal components

Learn about the components on the pedestal.

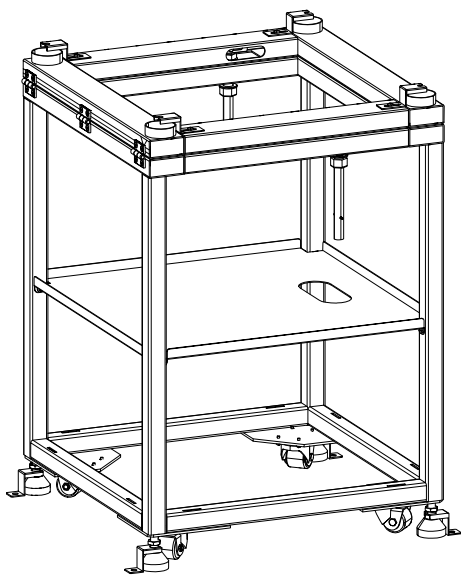


ID	Component
A	Accessories tray
B	Support beam

ID	Component
C	Projector foot lock
D	Lock nut
E	Security nut
F	Projector foot lock
G	Adjusting thread rod
H	Tilt stopper—maximum tilt is 15 degrees
I	Cover
J	Caster
K	Leveling foot
L	Pedestal foot lock

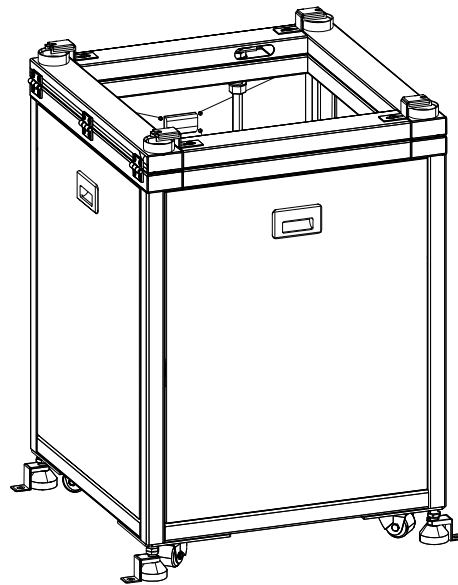
Pedestal options

The Cinema 2K-RBe pedestal can be installed with doors or without them.



A

A Without door version



B

B With door version

Required tools

In addition to the components provided with the Cinema 2K-RBe pedestal in the box, the following tools are required.

- 4 mm screwdriver
- 5 mm screwdriver
- Wrench
- Gloves

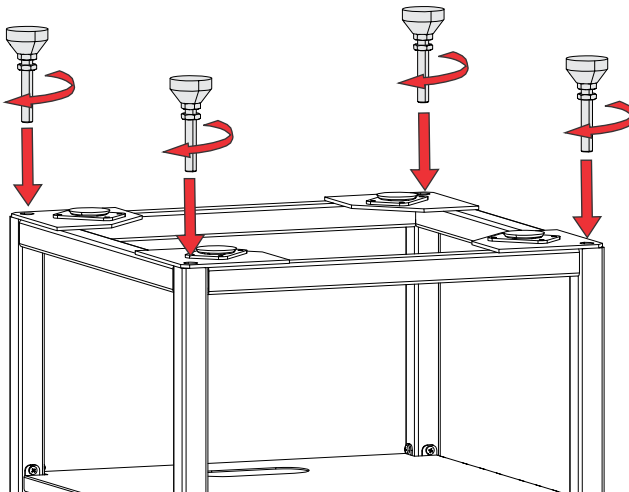
Installing and setting up the pedestal

Learn how to install and position the Cinema 2K-RBe pedestal. Complete the procedures in the order they are provided.

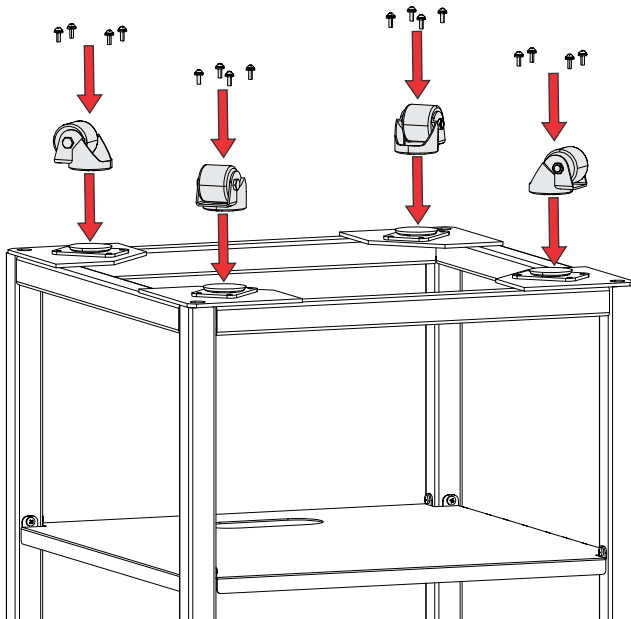
Installing the pedestal feet and casters

Follow these steps to install the pedestal feet and casters.

1. Unpack the shipping and inner cartons and confirm all of components are there.
2. Turn the pedestal upside down.
3. Thread the four leveling feet into the corner nut and adjust each foot to approximately the same height.



4. Place the caster on support bracket and align caster holes with holes on bracket.

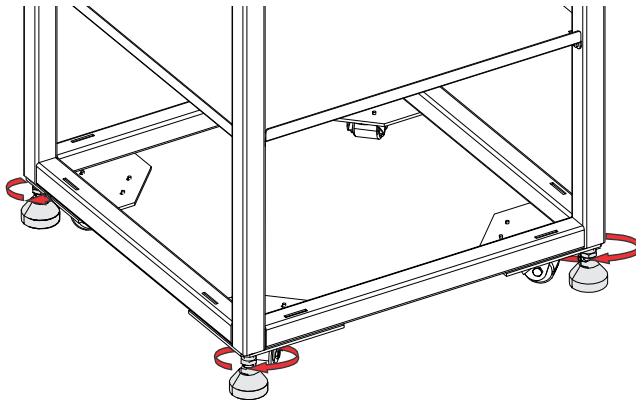


5. Tighten the M6 screws on the castor.
6. To tighten the remaining three casters, repeat steps 4 and 5.

Positioning the pedestal

Follow these steps to position the pedestal in the required location.

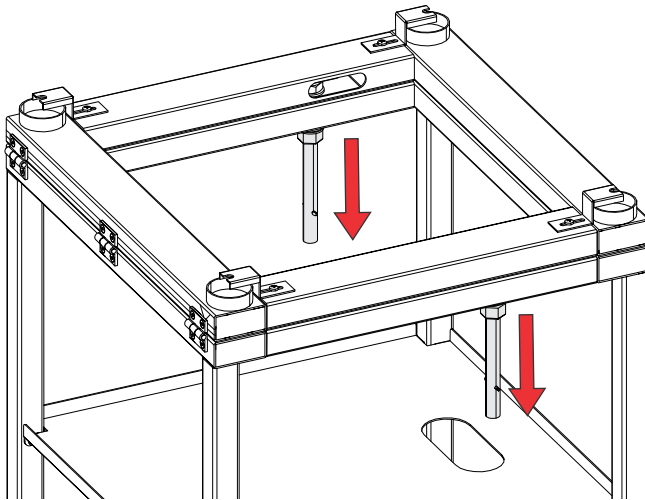
1. Turn the Cinema 2K-RBe pedestal over so its feet or casters are on the floor to support the pedestal.
2. Move the pedestal to where it will be used.
3. Adjust the four leveling feet to the same height.



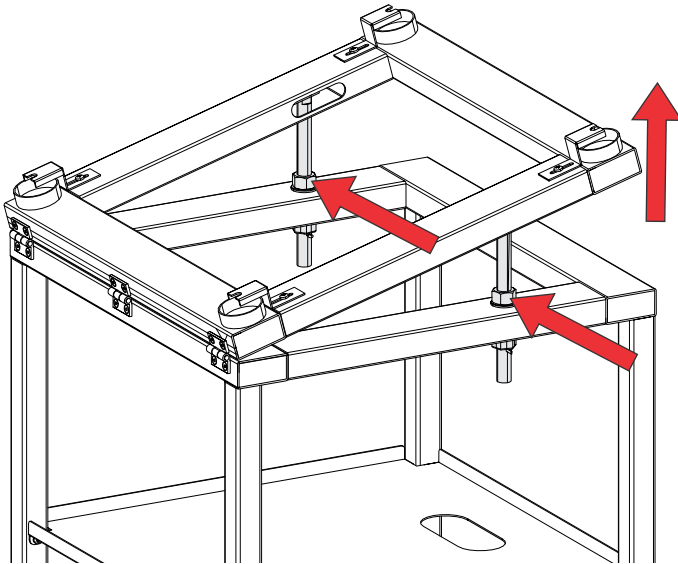
Tilting the pedestal

Follow these steps to tilt the pedestal.

1. Rotate the security nut down.



2. Manually lift up the support beam to the required angle.
3. Rotate the two lock nuts down to the lower beam surface.
The tilting angle of the two support beams are the same.

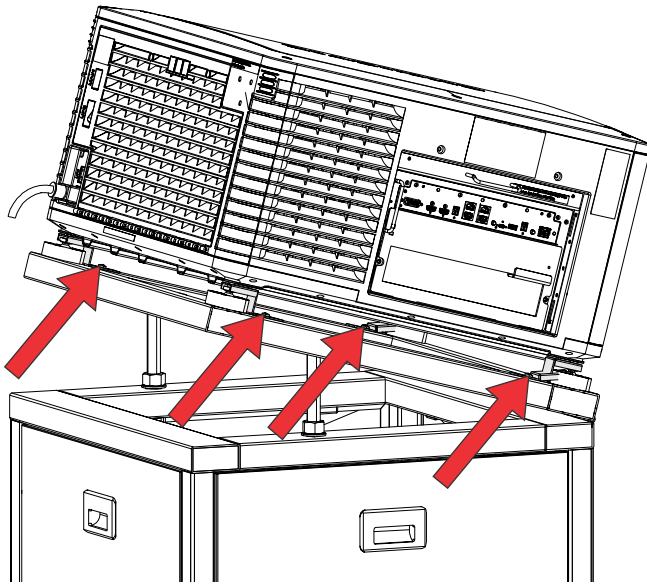


4. Rotate the two security nuts up to the beam surface.

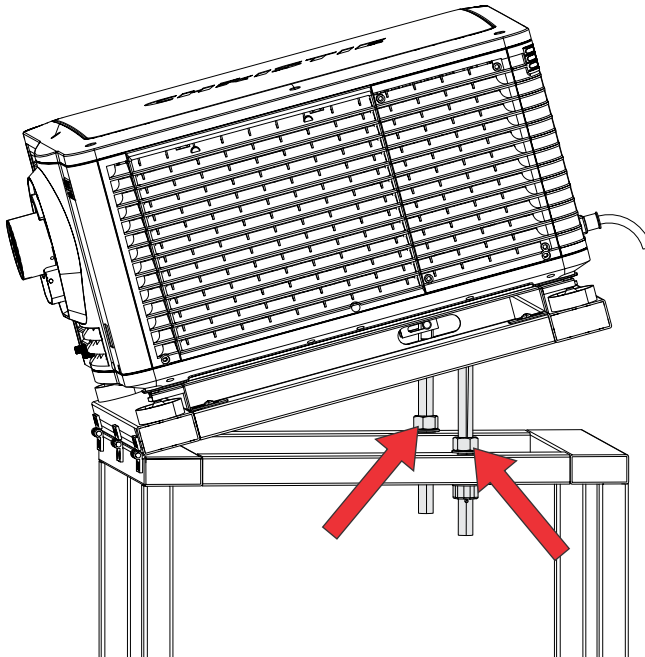
Installing the projector and securing the pedestal

Follow these steps to install the projector and secure the pedestal.

1. Place the four projector foot locks on the support beam and align the hole with the hole on beam.
2. Christie recommends pre-mounting the four projector foot locks.
3. Place the projector on the pedestal and make sure the four projector feet are in the projector foot rings
4. Tighten the four M6 screws to make sure the projector is secured.

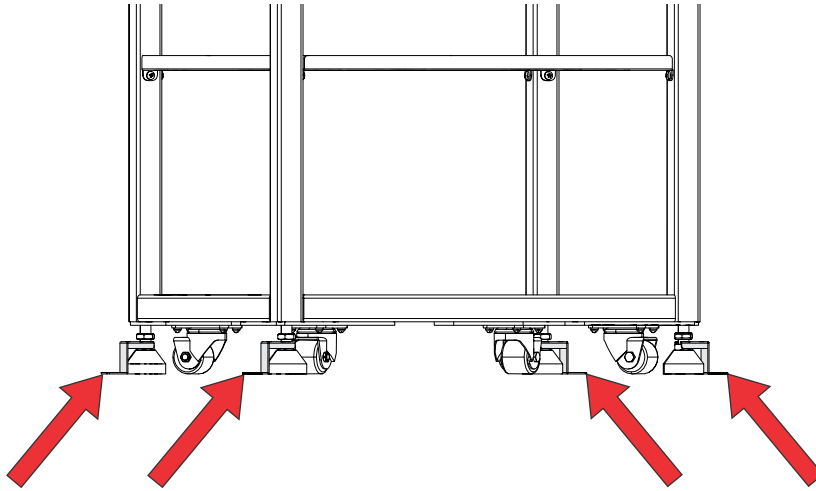


5. Adjust the lock nut to make sure the pedestal tilt is at the expected angle.

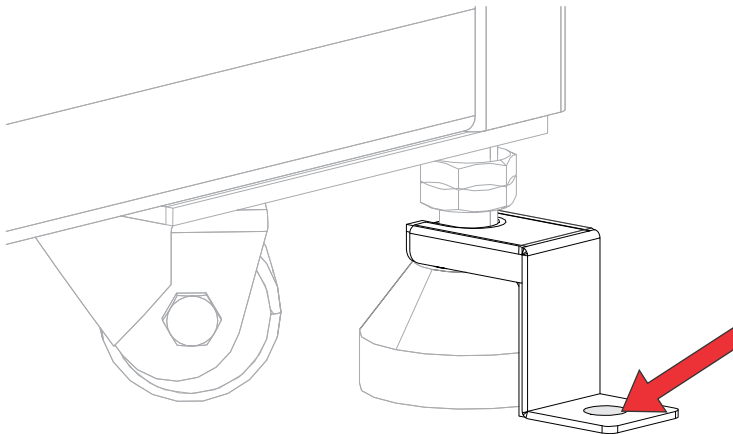


6. Adjust the security nut until it contacts the beam surface.

7. Install the four pedestal foot locks to clamp the pedestal leveling feet.



8. Install the anchoring screws through the hole of the pedestal foot locks and into the floor.

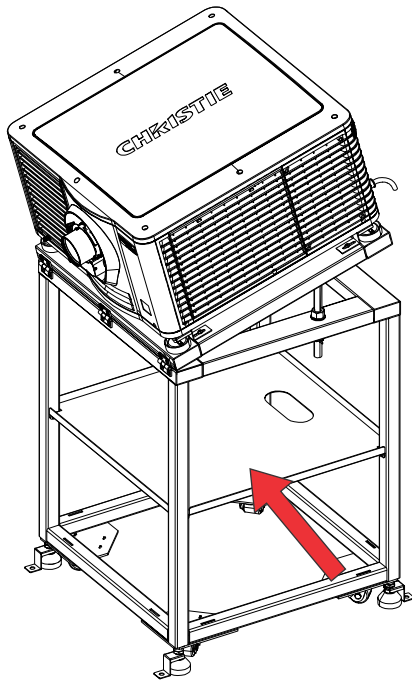


9. Secure the pedestal to the floor by tightening the pedestal with the four anchoring screws.

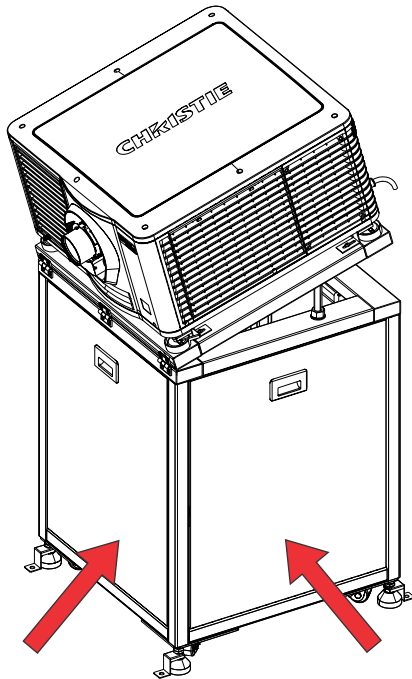
Installing the cover and accessories

Follow these steps to install the cover and accessories.

1. Optionally, unlock the cover.
2. Place the required accessories on the device tray.



3. Place the wire clamp on the beam where the wire routes.
4. Install the doors and optionally lock them.



Technical support

Technical support for Christie Cinema products is available at:

- *Support.cinema@christiedigital.com*
- +1-877-334-4267
- Christie Professional Services: +1-800-550-3061 or *NOC@christiedigital.com*