

Replacing the Boxer bayonet lock

This instruction sheet explains how to replace the bayonet lock located behind the Boxer lens release button.

Parts list

The following part is required for replacing the bayonet lock located behind the lens release button.

- Boxer Bayonet Lock LNS MNT kit (P/N: 003-006166-XX)

Safety and warning guidelines

Read all safety and warning guidelines before performing the replacement procedure.



Caution! Failure to comply with the following could result in minor or moderate injury.

- SHOCK HAZARD! Disconnect the from AC before moving, servicing, cleaning, removing components, or opening any enclosure.
- Christie products must be installed and serviced by Christie qualified technicians.
- Protective safety gear and goggles are recommended when servicing.

Tools required

The following tools are required.

- M4 screwdriver

Turning the projector off

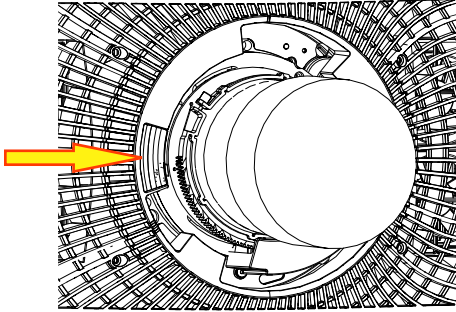
When powering off in preparation for inspection or maintenance, always disconnect from AC.

1. To turn the lamps off, press and hold the **Power** button until you hear a beep.
When powering off the projector, allow the projector to complete its cool down cycle. Do not immediately unplug the projector if this can be avoided.
2. To turn off power to the projector, disconnect from AC power.

Removing the projection lens

Use the correct method of removing the lens.

1. Push in and hold the lens release button.



2. Turn the lens counterclockwise until the lens guides are aligned.
3. Slide the lens straight out of the projector.
If the lens does not slide out easily, reset the lens offset before removing the lens.
4. Attach the lens cap to avoid damage.

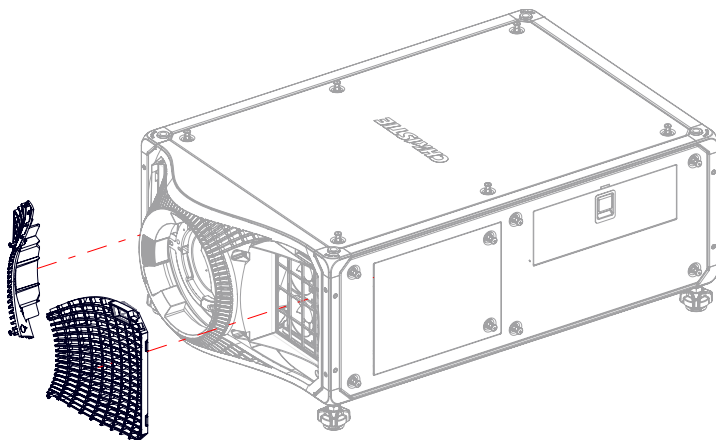


Warning! Failure to comply with the following could result in death or serious injury.

- Once the lens removal has begun the safety retention features of the lens are defeated. To re-engage the safety lock mechanism, the lens must be removed and re-inserted, or fully rotated clockwise until a click is heard.
- Packaging tape is required to ensure safe shipment of the projection lens to restrain the zoom ring from rotating during shipping.

Removing the filter doors

The electronics-side and lamp-side filter doors are located at the front of the projector.

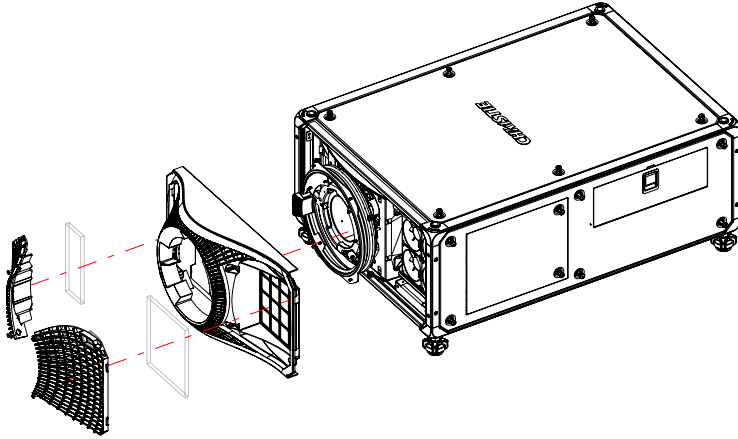


1. Using a M4 screwdriver, loosen the two screws securing the filter door.
2. Pull out the filter door.

3. Repeat steps 1 and 2 for the other filter door.

Removing the front cover

The front cover provides access to the lens assembly and front sensors.

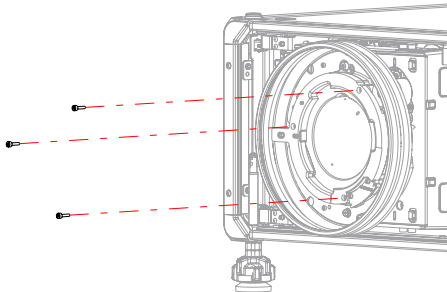


1. Remove the front filter doors (on page 2).
2. Using a M4 screwdriver, remove the six screws securing the front cover.
3. Remove the front cover.

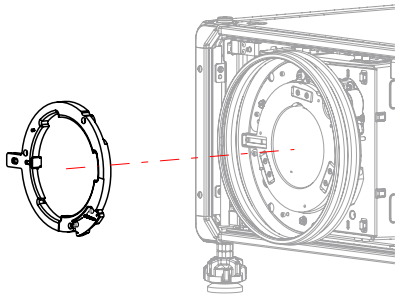
Replacing the bayonet lock

The bayonet lock secures the lens in the projector.

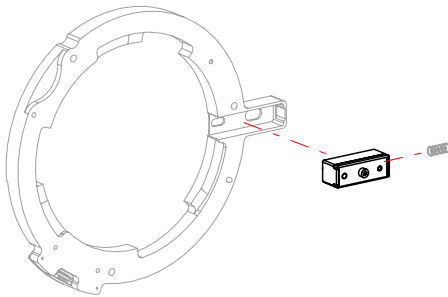
1. Using a M4 screwdriver, remove the three M4 screws from the bayonet ring.



2. Gently remove the bayonet ring as the lens mount harness is still attached.



3. Slide out the bayonet lock, noting the location of the spring.

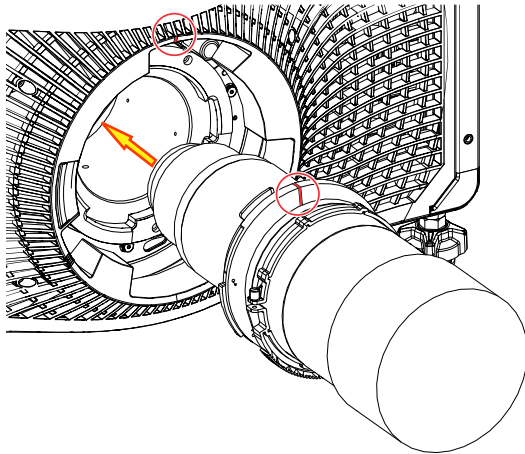


4. Insert the spring and new bayonet lock from the Boxer Bayonet Lock LNS MNT kit as shown below.
5. Locate the bayonet ring on the locating pins on the lens mount barrel.
6. Using a M4 screwdriver, reinstall the three M4 screws, torquing to 15 in-lbs.
7. Reinstall the front cover by tightening the six screws.
8. Reinstall the filter doors by tightening the two screws on each door.

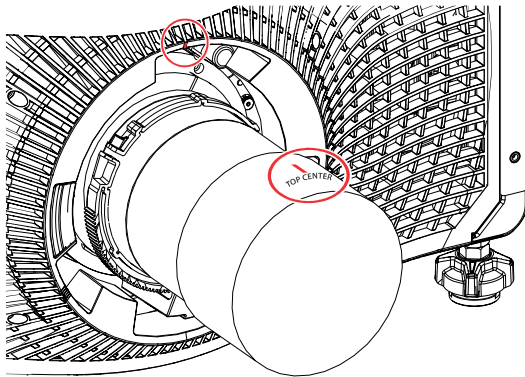
Installing the projector lens

Only use lenses designed for Boxer projectors. Installing a lens not designed for Boxer, results in a warning that the lens is not present.

1. Remove the lens caps from the lens.
The packaging tape is required to ensure safe shipment of the projection lens to restrain the zoom ring from rotating during shipping.
2. Align the guides on the front cover and the lens marked by a red line.



3. Insert the lens into the projector and turn it clockwise until you hear two clicks. The first click indicates the safety lock mechanism has been engaged.
4. Continue to turn the lens clockwise until you hear a second click. The second click indicates the lens is fully locked in position. The top center label should face up and be aligned to the lens guide on the front cover.



Technical support

Technical support for Christie products is available at:

- North and South America: +1-800-221-8025 or Support.Americas@christiedigital.com
- Europe, Middle East, and Africa: +44 (0) 1189 778111 or Support.EMEA@christiedigital.com
- Asia Pacific: +65 6877-8737 or Support.APAC@christiedigital.com