

Installing the Boxer photo sensor for lenses

The photo sensor controls the lens zoom feature.
These instructions explain how to install the photo sensor on Boxer lenses.

Affected products

The following products are affected.

- Boxer 4K models
- Boxer 2K models
- Boxer 30
- Mirage 304K

Required tools

Make sure the following tools are available during the parts replacement.

- Phillips screwdriver
- 2.5 mm hex driver

Required components

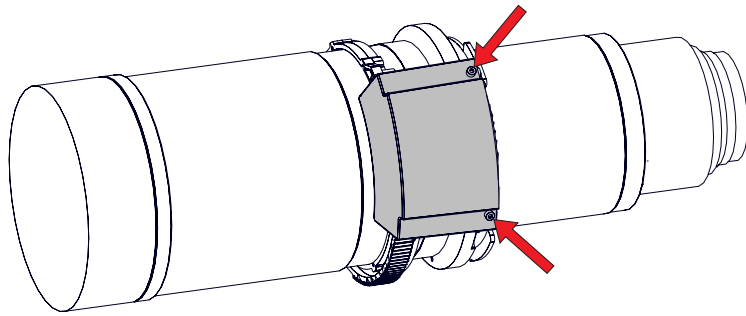
The following components are required to complete the upgrade.

- Photo sensor service kit (P/N: 003-006259-01)

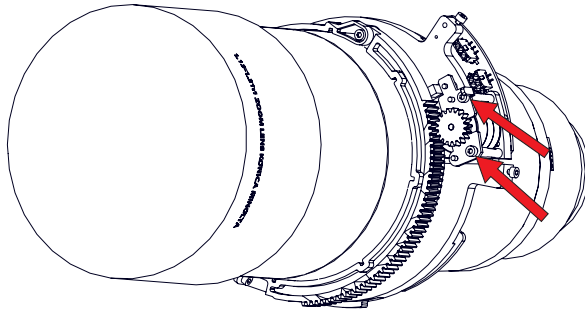
Installing the photo sensor

Follow these steps to install the photo sensor.

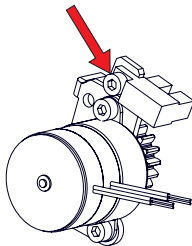
1. To remove the motor housing, loosen the two M3 screws.



2. To remove the motor unit, loosen the two M3 screws.



3. To remove the existing photo sensor, loosen the M3 screw.



4. Replace the photo sensor.

5. To re-install the new photo sensor, follow these steps in reverse order.
Tighten all screws to 8 lb-in.

Technical support

Technical support for Christie products is available at:

- North and South America: +1-800-221-8025 or Support.Americas@christiedigital.com
- Europe, Middle East, and Africa: +44 (0) 1189 778111 or Support.EMEA@christiedigital.com
- Asia Pacific: +65 6877-8737 or Support.APAC@christiedigital.com