

# Installing the Enterprise rigging handles

The Enterprise rigging handles are designed to assist with lifting and rigging the projector. These instructions provide details for properly installing the handles.



The illustrations in this document are for representation only and may not depict your projector model exactly.

## Affected products

The following product series are affected:

- Boxer series
- Crimson series
- D4K40-RGB
- Griffyn 4K32-RGB
- Mirage SST

## Required tools

The following tool is required:

- 10 mm hex driver/key
- Torque wrench capable of attaining 120 to 150 in-lb

## Required components

The following components are required:

Side rigging handles:

- 785 mm Rigging Handle kit (P/N: 144-134109-XX)
- 774 mm Rigging Handle kit (P/N: 163-125109-XX)
- 855 mm Rigging Handle kit (P/N: 165-103105-XX)
- 535 mm Rigging Handle kit (P/N: 168-104106-XX)

End rigging handles:

- 576 mm Rigging Handle kit (P/N: 163-162100-XX)
- 652 mm Rigging Handle kit (P/N: 163-132107-XX)

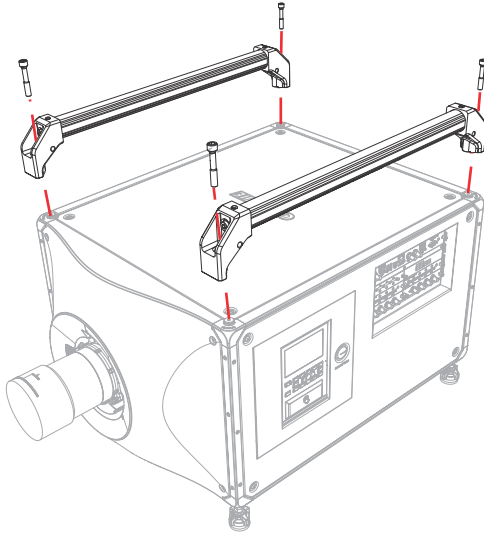
# Installing the rigging handles

Complete the following steps to install the Enterprise rigging handles.

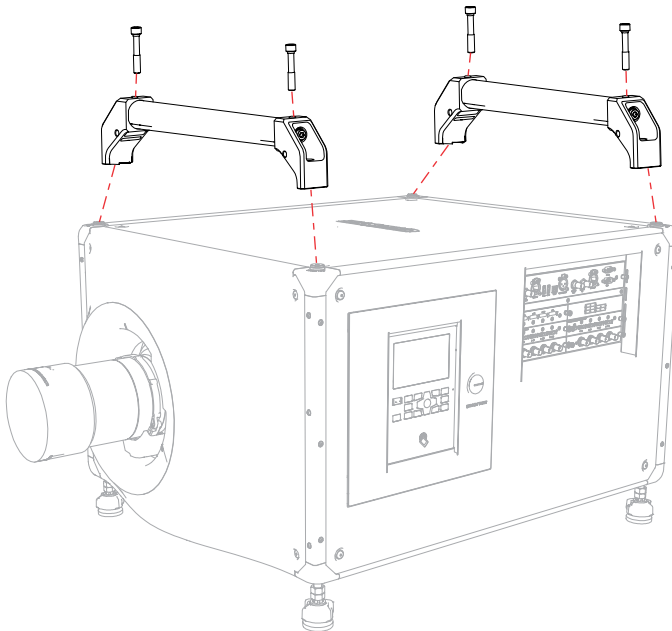


The end rigging handles are only available for Griffyn 4K32-RGB, Mirage 4K32-RGB, and the Crimson series.

1. Locate the four threaded holes on the projector mounting surface.
  2. Align the two handles over the mounting holes.
  3. Install the four screws and tighten to a torque of 120 to 150 in-lb.
- Side rigging handles in landscape configuration:

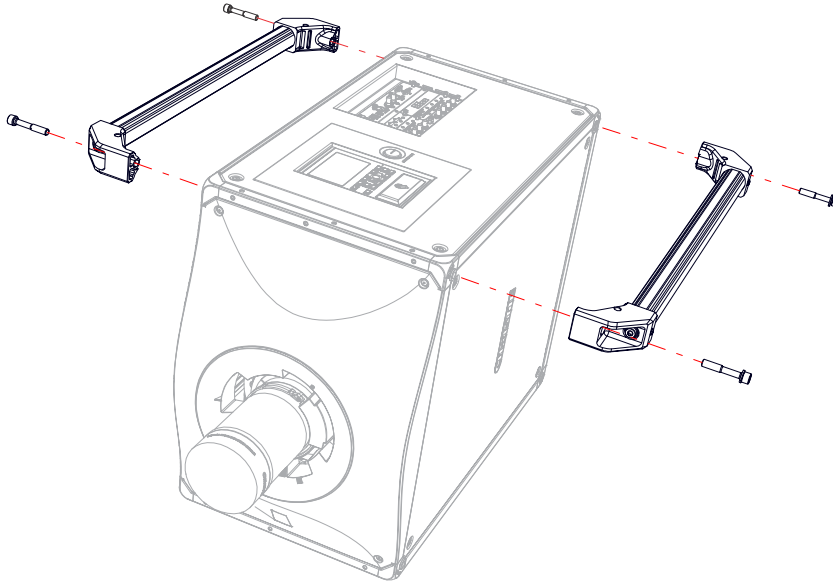


End rigging handles in landscape configuration:



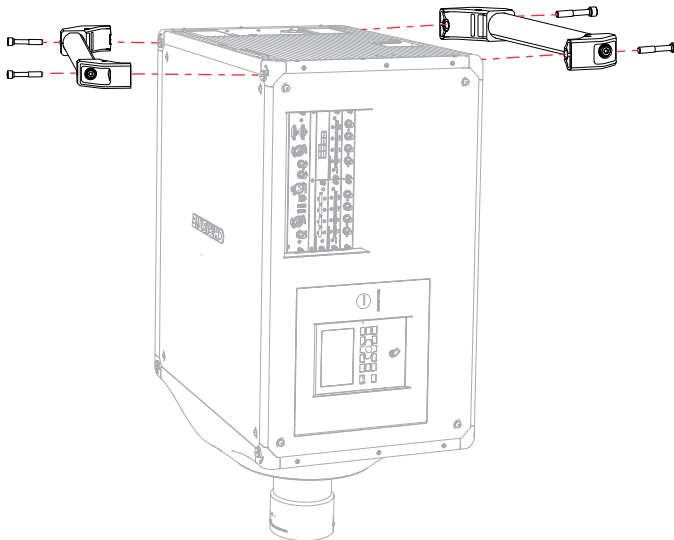
- To use the side rigging handles in portrait configuration or the end rigging handles to hang the projector straight down, remove the projector feet.

Side rigging handles in portrait configuration:



Only use the holes located on the handles for installing the feet in portrait mode.

End rigging handles to hang the projector straight down:



- To assist with stability and prevent sway, Christie recommends installing two 2-inch ProBurger clamps on each handle. Orient the clamps on either side of the projector's center of gravity.

If removing the top or bottom cover and the side rigging handles are installed, lift up the cover to clear the frame, rotate 90 degrees, and slide the cover out under the handles.

## Technical support

Technical support for Christie Enterprise products is available at:

- North and South America: +1-800-221-8025 or *Support.Americas@christiedigital.com*
- Europe, Middle East, and Africa: +44 (0) 1189 778111 or *Support.EMEA@christiedigital.com*
- Asia Pacific (*support.apac@christiedigital.com*)
  - Australia: +61 (0)7 3624 4888 or *tech-Australia@christiedigital.com*
  - China: +86 10 6561 0240 or *tech-supportChina@christiedigital.com*
  - India: +91 (80) 6708 9999 or *tech-India@christiedigital.com*
  - Japan: 81-3-3599-7481
  - Singapore: +65 6877-8737 or *tech-Singapore@christiedigital.com*
  - South Korea: +82 2 702 1601 or *tech-Korea@christiedigital.com*
- Christie Professional Services: +1-800-550-3061 or *NOC@christiedigital.com*