The top half of the page features a complex, abstract background of overlapping, semi-transparent blue triangles and polygons in various shades of blue, creating a dynamic, crystalline effect. This pattern transitions into a white background at the bottom.

Installation and Setup Guide
020-103483-11

Christie M RGB Series

CHRISTIE®

NOTICES

COPYRIGHT AND TRADEMARKS

Copyright © 2024 Christie Digital Systems USA Inc. All rights reserved.

All brand names and product names are trademarks, registered trademarks or trade names of their respective holders.

GENERAL

Every effort has been made to ensure accuracy, however in some cases changes in the products or availability could occur which may not be reflected in this document. Christie reserves the right to make changes to specifications at any time without notice. Performance specifications are typical, but may vary depending on conditions beyond Christie's control such as maintenance of the product in proper working conditions. Performance specifications are based on information available at the time of printing. Christie makes no warranty of any kind with regard to this material, including, but not limited to, implied warranties of fitness for a particular purpose. Christie will not be liable for errors contained herein or for incidental or consequential damages in connection with the performance or use of this material. Our centers of excellence for manufacturing in Kitchener, Ontario, Canada and in Shenzhen, China are ISO 9001:2015 Quality Management System-certified.

Christie is committed to making our documents free from language bias; however, we are not responsible for the language used on any linked or third-party documentation.

For the most current technical documentation and office contact information, visit <https://www.christiedigital.com/>.

Warranty

Products are warranted under Christie's standard limited warranty, the details of which are available at <https://www.christiedigital.com/help-center/warranties/> or by contacting your Christie dealer or Christie.

PREVENTATIVE MAINTENANCE

Preventative maintenance is an important part of the continued and proper operation of your product. Failure to perform maintenance as required, and in accordance with the maintenance schedule specified by Christie, voids the warranty. For preventative maintenance schedules, refer to www.christiedigital.com.

REGULATORY


The product has been tested and found to comply with the limits for a Class A digital device, pursuant to Part 15 of the FCC Rules. These limits are designed to provide reasonable protection against harmful interference when the product is operated in a commercial environment. The product generates, uses, and can radiate radio frequency energy and, if not installed and used in accordance with the instruction manual, may cause harmful interference to radio communications. Operation of the product in a residential area is likely to cause harmful interference in which case the user will be required to correct the interference at the user's own expense. Changes or modifications not expressly approved by the party responsible for compliance could void the user's authority to operate the equipment

CAN ICES-3 (A) / NMB-3 (A)

이 기기는 업무용(A급)으로 전자파적합등록을 한 기기이오니 판매자 또는 사용자는 이점을 주의하시기 바라며, 가정 외의 지역에서 사용하는 것을 목적으로 합니다.

ENVIRONMENTAL



The product is designed and manufactured with high-quality materials and components that can be recycled and reused. This symbol  means electrical and electronic equipment, at their end-of-life, should be disposed of separately from regular waste. Please dispose of the product appropriately and according to local regulations. In the European Union, separate collection systems are for used electrical and electronic products.

If printing this document, consider printing only the pages you need and select the double-sided option.

Please help us to conserve the environment we live in!

Notation

Learn the hazard and information symbols used in the product documentation.



Danger messages indicate a hazardous situation which, if not avoided, results in death or serious injury.



Warning messages indicate a hazardous situation which, if not avoided, could result in death or serious injury.



Caution messages indicate a hazardous situation which, if not avoided, could result in minor or moderate injury.



Notice messages indicate a hazardous situation which, if not avoided, may result in equipment or property damage.



Information messages provide additional information, emphasize or provide a useful tip.

Content

Introduction	6
Product documentation	6
Related documentation	6
Model names	7
Important safeguards	7
Safety and warning guidelines	7
Installation safety and warning guidelines	8
AC power precautions	8
Laser safety precautions	9
Light intensity hazard distance	9
Product labels	14
General hazards	14
Mandatory action	16
Electrical labels	16
Laser labels	16
Additional safety hazards	17
Projector overview	17
Contact your dealer	17
Key features	18
List of components	18
Accessories	19
Technical support	21
Installation and setup	22
Site requirements	22
Power requirements	23
Projector components	23
Display panel components	24
IR/wired remote keypad	25
Required tools	27
Preparing the installation site	28
Lifting and positioning the projector	28
Projector sides	29
Leveling the projector	29

Installing a projection lens.	30
Calibrating the lens motor.	32
Removing the projection lens.	32
Turning on the projector.	33
Projector LED status indicators.	33
Projector LED shutter indicators.	34
Turning off the projector.	34
Aligning the image.	35
Adjusting offset.	35
Resetting the lens to home position.	35
Selecting a test pattern.	36
Adjusting boresight.	36
Adjusting the fold mirror.	38
Optimizing the integrator focus.	39
Adjusting digital micromirror device (DMD) convergence.	40
Aligning the image with lens zoom and focus.	45
Running Auto Setup to optimize display settings.	45
Disposing of the product packaging.	46
Completing the installation checklist.	46
Connecting devices and establishing communication.	47
Video Input panel.	47
Configuring video input.	50
Enabling projector communication.	50
Setting the remote access level.	50
Selecting a port configuration.	51
Selecting a video source.	51
Connecting an HDMI video source.	52
HDMI 2.0 video formats.	52
HDMI 2.1 video formats.	55
Connecting 12G, 6G, 3G, or HD SDI video source.	56
SDI video formats.	56
Connecting a DisplayPort video source.	64
DisplayPort 1.2 video formats.	65
DisplayPort 1.4 video formats.	67
Connecting Christie Link video source.	69
Christie Link video formats.	69
Connecting an SDVoE video source.	72
Determining if SDVoE is supported.	72

SDVoE video formats.	73
Connecting an HDBaseT video source.	75
HDBaseT video formats.	75
Connecting to a computer with USB.	76
Connecting to a computer or server with 10/100/1000 base-T Ethernet.	76
Setting up the Ethernet.	77
Communicating with Christie M RGB Series through Art-Net.	77
Configuring the 3D Sync in/3D Sync out interface.	80
Configuring the RS232 port.	81
Configuring the GPIO.	81
GPIO connector.	81
Enabling the wired remote keypad.	82
3D setup.	84
3D requirements.	84
Hardware requirements.	84
Software and content requirements.	84
Active stereo 3D configuration.	85
Passive stereo 3D configuration.	85
3D system timing.	86
3D input video configurations.	86
Setting up a single projector to display 3D content.	87
Enabling 3D mode.	87
Confirming the emitter setup.	87
Configuring the projector for the 3D source.	88
Connecting devices to the 3D sync ports.	88
Regulatory.	89
Safety.	89
Electro-magnetic compatibility.	89
Emissions.	89
Immunity.	89
California law on security.	90
Environmental.	90

Introduction

This manual is intended for professionally trained operators of Christie high-brightness projection systems.



The illustrations in this document are for representation only and may not depict your projector model exactly.

Only Christie qualified technicians who are knowledgeable about the hazards associated with laser use, high-voltage, and the high temperatures generated by the projector lasers are authorized to assemble, install, and service the projector.

For complete Christie M RGB Series product documentation and technical support, go to www.christiedigital.com.

Product documentation

For installation, setup, and user information, see the product documentation available on the Christie website. Read all instructions before using or servicing this product.

1. Access the documentation from the Christie website:
 - Go to this URL: <https://bit.ly/3Af8x7X> or <https://www.christiedigital.com/products/projectors/all-projectors/m4k-series/>
 - Scan the QR code using a QR code reader app on a smartphone or tablet.



2. On the product page, select the model and switch to the **Downloads** tab.

Related documentation

Additional information on this product is available in the following documents.

- *Christie TruLife+ User Guide (P/N: 020-103315-XX)*
- *Christie TruLife+ Status System Guide (P/N: 020-103327-XX)*
- *Christie TruLife+ Serial Commands Guide (P/N: 020-103316-XX)*
- *Christie M RGB Series Service Guide (P/N: 020-103484-XX)*

Model names

The Christie M RGB Series consists of the following models:

- Christie M 4K15 RGB
- Christie M 4K+15 RGB
- Christie M 4K25 RGB
- Christie M 4K+25 RGB

Important safeguards

To prevent personal injury and to protect the device from damage, read and follow these safety precautions. This projector is intended for use in a non-cinema environment.

Safety and warning guidelines

Read all safety and warning guidelines before installing or operating the projector.

This projector must be operated in an environment that meets the operating range specification. Use only the attachments and/or accessories recommended by Christie. Use of others may result in the risk of fire, shock, or personal injury.



Warning! If not avoided, the following could result in death or serious injury.

- This product must be operated in an environment that meets the operating range as specified in this document.
- FIRE HAZARD! Keep hands, clothes, and all combustible material away from the concentrated light beam of the projector.
- Keep fingers and other body parts away from the moving parts in the product. Tie back long hair, and remove jewelry and loose clothing before manually adjusting the product.
- FIRE AND SHOCK HAZARD! Use only the attachments, accessories, tools, and replacement parts specified by Christie.
- RADIATION HAZARD! Use of controls or adjustments, or performing procedures other than those specified may result in hazardous radiation exposure.



Caution! If not avoided, the following could result in minor or moderate injury.

- TRIP OR FIRE HAZARD! Position all cables where they cannot contact hot surfaces, be pulled, be tripped over, or damaged by persons walking on or objects rolling over the cables.

Installation safety and warning guidelines

Read all safety and warning guidelines before installing the projector.



Warning! If not avoided, the following could result in death or serious injury.

- Possible hazardous optical radiation emitted from this product. (Risk group 3)
- Christie products must be installed and serviced by Christie qualified technicians.
- Do not operate the product without all of its covers in place.
- Always install safety straps when the frame and projector are installed overhead.
- Observe load ratings and applicable local safety codes.
- When installing the projector in portrait mode, the rigging device must have a sufficient load rating, as identified in this manual.
- Do not stack more than three projectors in landscape orientation.
- This product must be installed within a restricted access location not accessible by the general public.
- Install the product so users and the audience cannot enter the restricted area at eye level.
- Only personnel who are trained on the precautions for the restricted access location can be granted entry to the area.
- Only Christie qualified technicians are permitted to open product enclosures.



Caution! If not avoided, the following could result in minor or moderate injury.

- ELECTRICAL and BURN HAZARD! Use caution when accessing internal components.
- Only Christie qualified technicians are authorized to use the tools provided in the toolbox.

AC power precautions

Read all safety and warning guidelines before connecting to AC power.



Warning! If not avoided, the following could result in death or serious injury.

- SHOCK HAZARD! Only use the AC power cord provided with the product or recommended by Christie.
- FIRE AND SHOCK HAZARD! Do not attempt operation unless the power cord, power socket, and power plug meet the appropriate local rating standards.
- SHOCK HAZARD! Do not attempt operation if the AC supply is not within the specified voltage and current, as specified on the license label.
- SHOCK HAZARD! The AC power cord must be inserted into an outlet with grounding.
- SHOCK HAZARD! Disconnect the product from AC before installing, moving, servicing, cleaning, removing components, or opening any enclosure.
- Install the product near an easily accessible AC receptacle.



Caution! If not avoided, the following could result in minor or moderate injury.

- FIRE HAZARD! Do not use a power cord, harness, or cable that appears damaged.
- FIRE OR SHOCK HAZARD! Do not overload power outlets and extension cords.
- SHOCK HAZARD! Power supply uses double pole/neutral fusing.

Laser safety precautions

Read all safety and warning guidelines before operating the projector laser.



Warning! If not avoided, the following could result in death or serious injury.

- PERMANENT/TEMPORARY BLINDNESS HAZARD! No direct exposure to the beam must be permitted. Class 1 Laser Product - Risk Group 3 according to IEC 60825-1:2014 and IEC 62471-5:2015.
- Possible hazardous optical radiation emitted from this product. (Risk group 3)
- Only Christie qualified technicians who are knowledgeable about the hazards associated with laser use, high-voltage, and high temperatures generated by the product are authorized to assemble, install, and service the Christie Laser Projection System.
- Do not look directly into the lens when the light source is on. The extremely high brightness can cause permanent eye damage.
- Do not operate the product without all of its covers in place.

Light intensity hazard distance

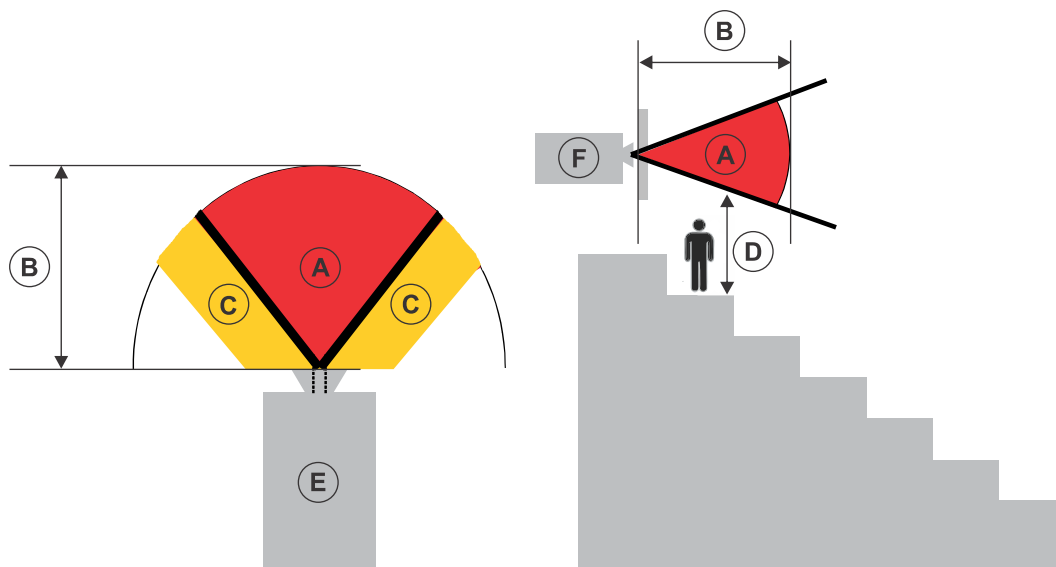
This projector has been classified as Risk Group 3 as per the IEC 62471-5 standard due to possible hazardous optical and thermal radiation being emitted.



Warning! If not avoided, the following could result in serious injury.

- PERMANENT/TEMPORARY BLINDNESS HAZARD! No direct exposure to the beam must be permitted. Class 1 Laser Product - Risk Group 3 according to IEC 60825-1:2014 and IEC 62471-5:2015.
- PERMANENT/TEMPORARY BLINDNESS HAZARD! Operators must control access to the beam within the hazard distance or install the product at the height that prevents exposure of spectators' eyes within the hazard distance. The hazard zone must be no lower than 3.0 meters (9.8 feet) above the floor and the horizontal clearance to the hazard zone must be a minimum 2.5 meters (8.2 feet).
- EXTREME BRIGHTNESS! Do not place reflective objects in the product light path.

The following show the zones for ocular and skin hazard distances.



- A—Hazard zone. The region of space where the projection light from the projector is above emission limits for Risk Group 2. The light intensity may cause eye damage after a momentary or brief exposure (before a person can avert their eyes away from the light source). The light may cause skin burns to occur.
- B—Hazard distance. Operators must control access to the beam within the hazard distance or install the product preventing potential exposure of the spectators' eyes from being in the hazard distance.
- C—No access zone. Horizontal clearance of the no access zone must be a minimum of 2.5 meters (8.2 feet).
- D—Vertical distance to hazard zone. The hazard zone must be no lower than 3.0 meters (9.8 feet) above the floor.

If the vertical distance to hazard zone requirement (Zone D) is satisfied, the horizontal clearance distance (Zone C) is not needed.

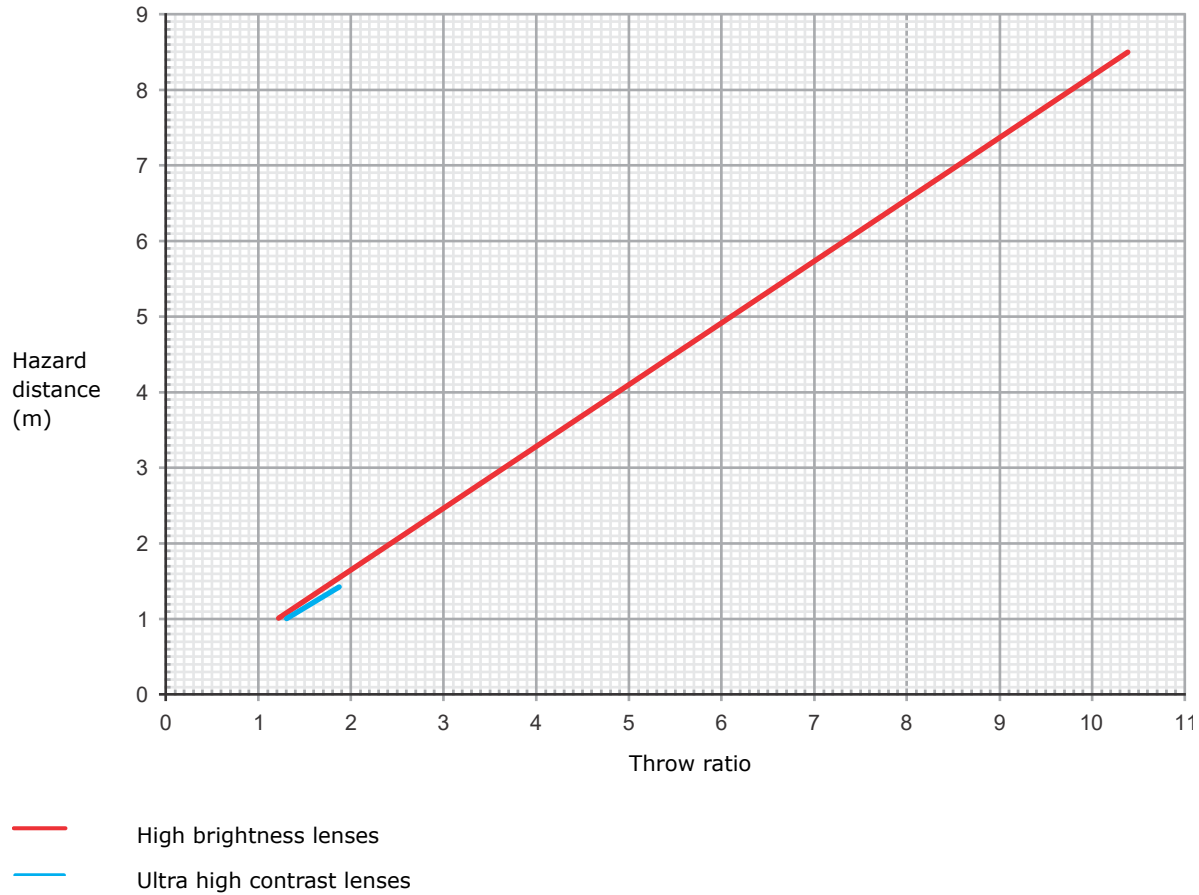
- E—Represents the top view of the projector.
- F—Represents the side view of the projector.

The following provides the hazard distance for the Christie projector lens with the zoom adjusted to its most hazardous position for Christie M 4K15 RGB, Christie M 4K+15 RGB, Christie M 4K25 RGB, and Christie M 4K+25 RGB.

Christie M 4K15 RGB and Christie M 4K+15 RGB

Projection lens	Part number	Hazard distance (m)	Category
High brightness—red line in graph below			
0.37:1 ultra short throw fixed - ILS1	118-131106-XX	N/A	RG2
0.67:1 fixed - ILS1	118-100110-XX		
0.8-1.16:1 zoom - ILS1	118-130105-XX		
1.1:1 fixed - ILS1	118-100117-XX		
1.16-1.49:1 zoom - ILS1	118-100111-XX	See hazard distance graph below	RG3
1.4-1.8:1 zoom - ILS1	118-100112-XX		
1.8-2.6:1 zoom - ILS1	118-100113-XX		
2.6-4.1:1 zoom - ILS1	118-100114-XX		
4.1-6.9:1 zoom - ILS1*	118-100115-XX		
6.9-10.4:1 zoom - ILS1*	118-100116-XX		
Ultra high contrast—blue line in graph below			
0.67:1 ultra high contrast fixed - ILS1	118-132107-XX	N/A	RG2
0.8-1.16:1 ultra high contrast zoom - ILS1	118-133108-XX		
1.28-1.87:1 ultra high contrast zoom - ILS1	163-165103-XX	See hazard distance graph below	RG3

* Requires a lens hood extension to use with this product. The 4.1-6.9:1 zoom lens requires a 185 mm lens hood extension (P/N: 163-168106-XX) and the 6.9-10.4:1 zoom lens requires a 410 mm lens hood extension (P/N: 163-167105-XX).



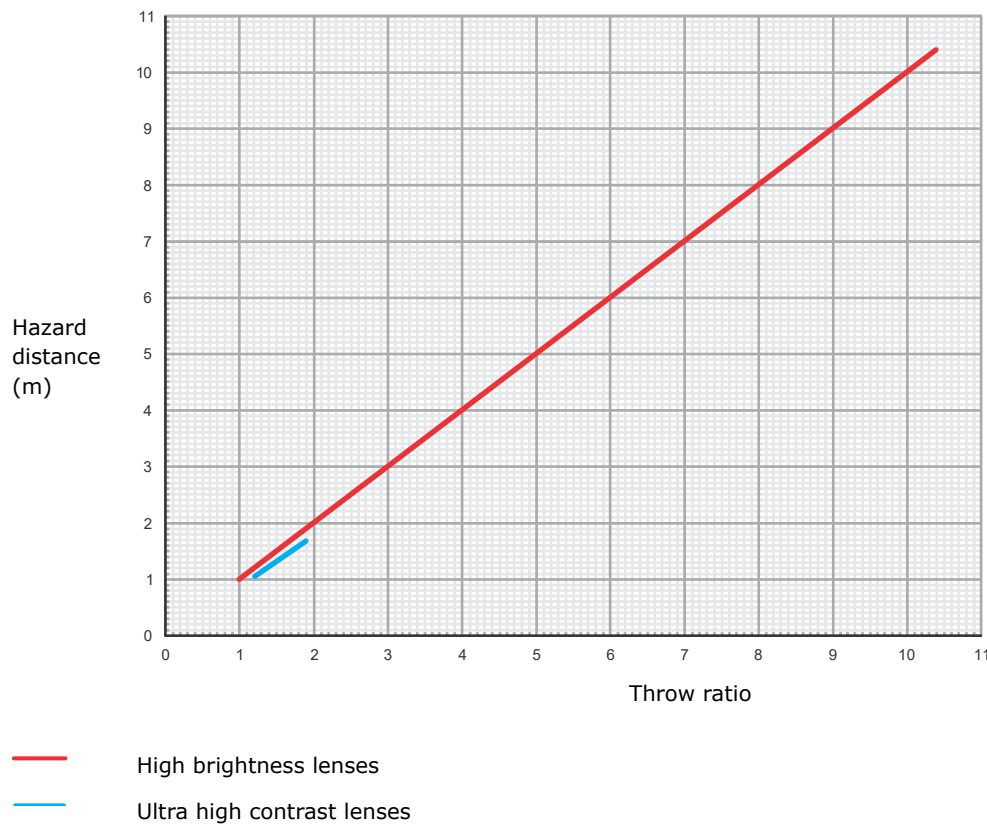
Christie M 4K25 RGB and Christie M 4K+25 RGB

The following table and graph apply to Christie M 4K25 RGB and Christie M 4K+25 RGB when operated at 200-240 V, 9 A.

Projection lens	Part number	Hazard distance (m)	Category
High brightness—red line in graph below			
0.37:1 ultra short throw fixed - ILS1	118-131106-XX	N/A	RG2
0.67:1 fixed - ILS1	118-100110-XX		
0.8-1.16:1 zoom - ILS1	118-130105-XX	See hazard distance graph below	RG3
1.1:1 HD fixed - ILS1	118-100117-XX		
1.16-1.49:1 zoom - ILS1	118-100111-XX		
1.4-1.8:1 zoom - ILS1	118-100112-XX		
1.8-2.6:1 zoom - ILS1	118-100113-XX		

Projection lens	Part number	Hazard distance (m)	Category
2.6-4.1:1 zoom - ILS1	118-100114-XX		
4.1-6.9:1 zoom - ILS1*	118-100115-XX		
6.9-10.4:1 zoom - ILS1*	118-100116-XX		
Ultra high contrast—blue line in graph below			
0.67:1 ultra high contrast fixed - ILS1	118-132107-XX	N/A	RG2
0.8-1.16:1 ultra high contrast zoom - ILS1	118-133108-XX	See hazard distance graph below	RG3
1.28-1.87:1 ultra high contrast zoom - ILS1	163-165103-XX		

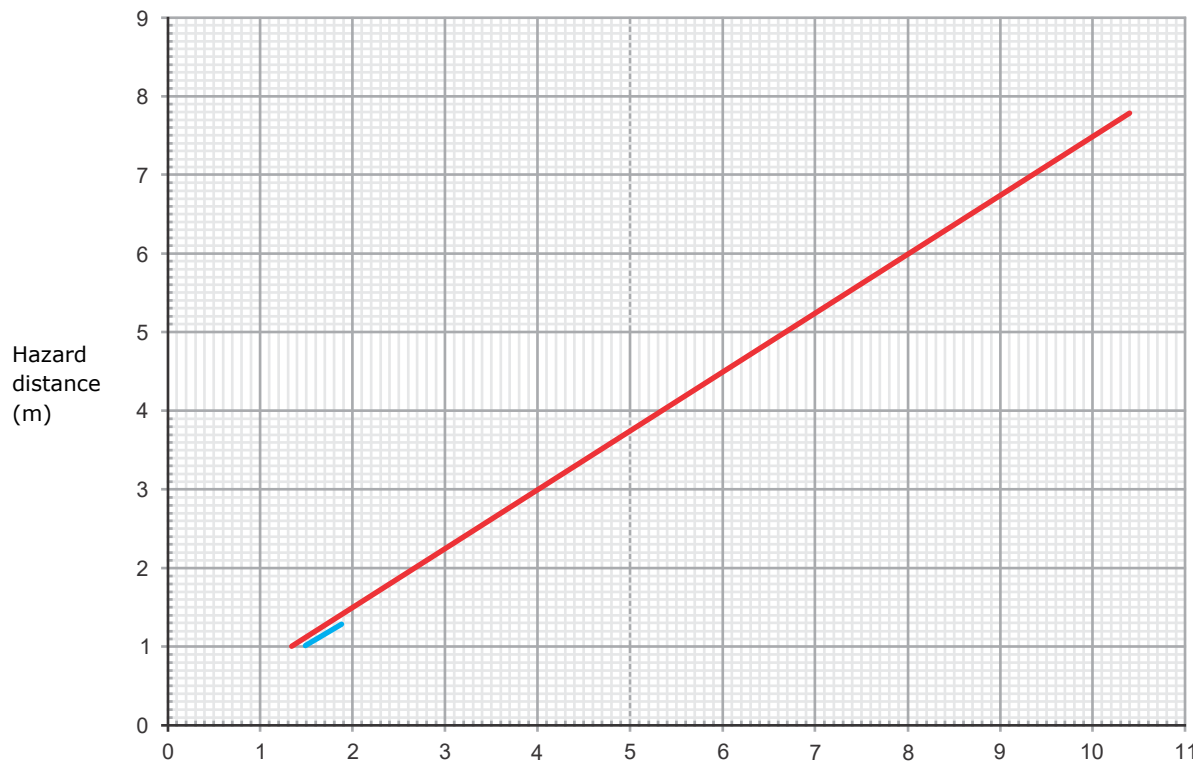
* Requires a lens hood extension to use with this product. The 4.1-6.9:1 zoom lens requires a 185 mm lens hood extension (P/N: 163-168106-XX) and the 6.9-10.4:1 zoom lens requires a 410 mm lens hood extension (P/N: 163-167105-XX).





Christie M 4K25 RGB and Christie M 4K+25 RGB

The following table and graph apply to Christie M 4K25 RGB and Christie M 4K+25 RGB when operated at 100-120 V, 12 A.

Projection lens	Part number	Hazard distance (m)	Category
High brightness—red line in graph below			
0.37:1 ultra short throw fixed - ILS1	118-131106-XX	N/A	RG2
0.67:1 fixed - ILS1	118-100110-XX		
0.8-1.16:1 zoom - ILS1	118-130105-XX		
1.1:1 HD fixed - ILS1	118-100117-XX		
1.16-1.49:1 zoom - ILS1	118-100111-XX	See hazard distance graph below	RG3
1.4-1.8:1 zoom - ILS1	118-100112-XX		
1.8-2.6:1 zoom - ILS1	118-100113-XX		
2.6-4.1:1 zoom - ILS1	118-100114-XX		
4.1-6.9:1 zoom - ILS1	118-100115-XX		
6.9-10.4:1 zoom - ILS1	118-100116-XX		
Ultra high contrast—blue line in graph below			
0.67:1 ultra high contrast fixed - ILS1	118-132107-XX	N/A	RG2
0.8-1.16:1 ultra high contrast zoom - ILS1	118-133108-XX		
1.28-1.87:1 ultra high contrast zoom - ILS1	163-165103-XX	See hazard distance graph below	RG3



Throw ratio

-  High brightness lenses
-  Ultra high contrast lenses

For Installations in the United States in place for Risk Group 3

The following must be in place for laser-illuminated projector installations in the United States:

- Any human access to the hazard zone, if applicable, must be restricted by barriers to enforce the no access zone.
- Permanent show installations containing Risk Group 3 laser-illuminated projectors must meet the following conditions:
 - Installed by Christie or by Christie-authorized and trained installers.
Refer to the EXTERNAL - Laser safety awareness training (Course code: CS-ELSA-01) on the <http://www.christieuniversity.com> site.
 - Performed according to instructions provided by Christie.
 - Make sure the projection system is securely mounted or immobilized to prevent unintended movement or misalignment of the projections.
- A copy of the FDA variance approval letter must be with the operator or other responsible individual.
- Temporary show installations containing Risk Group 3 laser-illuminated projectors may be installed by Christie or sold or leased only to valid laser light show variance holders (laser light show manufacturers) for image projection applications. Such manufacturers may currently hold a valid variance for production of Class IIIb and IV laser light shows and/or for incorporation of the Risk Group 3 laser-illuminated projectors into their shows. This requirement applies also to dealers and distributors of these laser-illuminated projectors.
- For temporary installations, the FDA variance holder must maintain complete records of all show itineraries with dates, locations, operator name, and contact information clearly and completely identified.
- The Christie Laser Projection System Installation Checklist must be fully completed after the installation and sent to lasercompliance@christiedigital.com. A copy can remain on-site. This checklist can be found as a separate document in the accessory box with the manual.
- Certain US states have additional laser regulatory requirements. Contact lasercompliance@christiedigital.com for additional regulatory requirements.



Product labels

Learn about the labels that may be used on the product. Labels on your product may be yellow or black and white.


General hazards

Hazard warnings also apply to accessories once they are installed in a Christie product connected to power.

Fire and Shock Hazard

 	<p>To prevent fire or shock hazards, do not expose this product to rain or moisture. Do not alter the power plug, overload the power outlet, or use it with extension cords. Do not remove the product enclosure. Only Christie qualified technicians are authorized to service the product.</p>
---------------------------------------------------------------------------------------------------------------------------------------------------------------------	-----------------------------------------------------------------------------------------------------------------------------------------------------------------------------------------------------------------------------------------------------------------------------------------------------------------------------------------------------------------

Electrical Hazard

	<p>Risk of electric shock. Do not remove the product enclosure. Only Christie qualified technicians are authorized to service the product.</p>
-----------------------------------------------------------------------------------	------------------------------------------------------------------------------------------------------------------------------------------------------------------------------------------



Warning! If not avoided, the following could result in death or serious injury.



Electric shock hazard. To avoid personal injury, disconnect all power sources before performing maintenance or service.



Electrocution hazard. To avoid personal injury, always disconnect all power sources before performing maintenance or service procedures.



Optical radiation hazard. To avoid personal injury, never look directly at the light source.



Laser hazard. To avoid personal injury, avoid eye or skin exposure to direct or scattered radiation.



Voltage hazard. To avoid personal injury, always disconnect all power sources before performing maintenance or service procedures.



Caution! If not avoided, the following could result in minor or moderate injury.



Hot surface hazard. To avoid personal injury, allow the product to cool for the recommended cool down time before touching or handling for maintenance or service.



Burn hazard. To avoid personal injury, allow the product to cool for the recommended cool down time before handling for maintenance or service.



Moving parts hazard. To avoid personal injury, keep hands clear and loose clothing tied back.



Moving fan blades. To avoid personal injury, keep hands clear and loose clothing tied back. Always disconnect all power sources before performing maintenance or service procedures.



Cut hazard. To avoid personal injury, keep hands clear or wear protective gloves.



Notice. If not avoided, the following could result in property damage.



General hazard.



Not for household use.

Mandatory action



Caution! If not avoided, the following could result in minor or moderate injury.



SHOCK HAZARD! Disconnect all power sources before performing maintenance or service procedures.



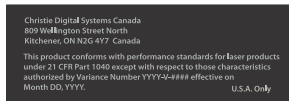
Consult the service manual.

Electrical labels



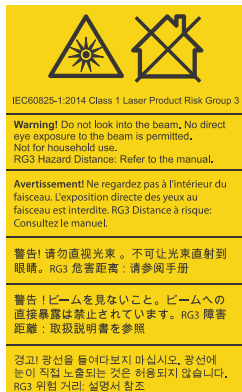
Indicates the presence of a protective earth ground.

Laser labels



FDA laser variance (US projectors only)

This product is in conformity with performance standards for laser products under 21 CFR 1040, except with respect to those characteristics authorized by Variance Number 2018-V-3898 effective on November 21, 2018.



Indicates a light hazard. Do not look directly into the lens. The extreme high brightness can cause permanent eye damage. Class 1 Laser Product - Risk Group 3 according to IEC 60825-1: 2014 and IEC 62471-5:2015

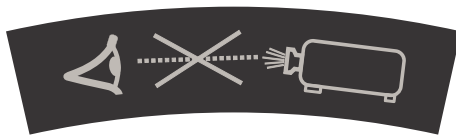


Indicates Class 4 laser radiation when open. Avoid eye or skin exposure to direct or scattered radiation.



Indicates Class 4 laser radiation when open. Avoid eye or skin exposure to direct or scattered radiation.

Additional safety hazards



Do not look directly into the lens. The extremely high brightness can cause permanent eye damage.



Indicates high leakage current. Earth connection essential before connecting the power supply.



Indicates the lens must be supported when locking it.

Projector overview

Learn about the Christie M RGB Series projector.

Christie M RGB Series is a professional quality 3DLP® RGB laser projector. The medium-brightness Christie M RGB Series is designed to meet the special demands found in large venues, live events, and high-usage environments. With reliable Christie Reallaser™ illumination integrated in a small form and ultra-fast processing of Christie TruLife+™ electronics, the Christie M RGB Series is the go-to solution for demanding, large venue events and applications.

Contact your dealer

Record the information about your projector and keep this information with your records to assist with the servicing of your projector. If you encounter a problem with your Christie projector, contact your dealer.

Purchase record	
Dealer:	
Dealer or Christie Sales/Service contact phone number:	
Projector serial number:	
The serial number can be found on the license label located on the display panel	
Purchase date:	

Purchase record	
Installation date:	

Ethernet settings	
Default gateway:	
Projector IP address:	
Subnet mask:	

Key features

Understand the important features of the projector.

- Long lasting, reliable Christie RealLaser™ RGB laser illumination
- Compact form with direct-coupled laser source integrated in a small form factor
- LiteLOC™ feature for constant image brightness and color
- Easily adjusted electronic convergence using the remote control to maintain a perfect image
- Omnidirectional operation for unrestricted design and installation flexibility
- Christie TruLife+™ electronics for ultra-high resolution, high frame rate video up to 120 frames per second
- Simple integration and connectivity
- Compatible with Christie Mystique and Twist
- Compatible with existing suite of 2K/4K fixed and zoom lenses
- Full-color LCD display to provide information at-a-glance
- Integrated keypad control interface
- Dynamic fan control for quiet operation
- Field adjustable boresight and optical path

List of components

Verify all components were received with the projector.

- Power cord
- IR remote keypad
- Tools

Accessories

Learn about the accessories (sold separately) available for the projector.

Lenses

Projection lens	Part number	Notes
Fixed lenses		
0.37:1 ultra short throw fixed - ILS1	118-131106-XX	—
0.67:1 fixed - ILS1	118-100110-XX	—
1.1:1 fixed - ILS1	118-100117-XX	—
Zoom lenses		
0.8-1.16:1 zoom - ILS1	118-130105-XX	—
1.16-1.49:1 zoom - ILS1	118-100111-XX	—
1.4-1.8:1 zoom - ILS1	118-100112-XX	—
1.8-2.6:1 zoom - ILS1	118-100113-XX	—
2.6-4.1:1 zoom - ILS1	118-100114-XX	—
4.1-6.9:1 zoom - ILS1	118-100115-XX	Requires a 185 mm lens hood extension (P/N: 163-168106-XX) to use with this product.
6.9-10.4:1 zoom - ILS1	118-100116-XX	Requires a 410 mm lens hood extension (P/N: 163-167105-XX) to use with this product.
Ultra-high contrast lenses		
0.67:1 ultra high contrast fixed - ILS1	118-132107-XX	—
0.8-1.16:1 ultra high contrast zoom - ILS1	118-133108-XX	—
1.28-1.87:1 ultra high contrast zoom - ILS1	163-165103-XX	—

Filters and coolant

Description	Part number
Air intake filter—6 pack	003-007152-XX
Coolant Propylene Glycol 740	003-005179-XX

100-120 VAC line cords

The retaining clip installed on the projector is required when using the 100-120 VAC line cords.

Description	Part number
125 V/15 A C13 2.50 m cord—Japan	108-507103-XX
125 V/15 A C13 2.0 m cord—North America	108-383105-XX

200-240 VAC only line cords

The retaining clip installed on the projector is not required for the 200-240 VAC line cords and can be removed.

Description	Part number
250 V/10 A C13L 3.1 m cord—Australia	108-593108-XX
250 V/10 A C13L 3.1 m black cord—China	108-587101-XX
250 V/10 A C13L 3.1 m cord—Europe	108-590105-XX
250 V/10 A C13L 3.1 m cord—India	108-591106-XX
250 V/10 A C13L 3.1 m cord—Korea	108-590105-XX
250 V/10 A C13L 3.1 m cord—New Zealand	108-593108-XX
250 V/10 A C13L cord—South Africa	108-592107-XX
250 V/10 A C13L 3.1 m black cord—United Kingdom	108-589103-XX

Optional 200-240 VAC only line cords

The retaining clip installed on the projector is not required for the 200-240 VAC line cords and can be removed.

Description	Part number
250 V/15 A C13L 3.1 m black cord —Japan	108-588102-XX
250 V/15 A C13L 3.1 m black cord—North America	108-586100-XX

Other accessories

Description	Part number	Notes
IR remote	003-120918-XX	—
Christie Mystique	900-100285-XX 900-100286-XX 900-100274-XX 900-100275-XX	Mystique version 2.6.0 or higher is required for the electronic convergence feature.
Christie Twist Premium	156-002103-XX 156-102104-XX	Twist version 2.10 or higher is required for the electronic convergence feature.
Christie Twist Pro	156-001102-XX 156-101103-XX	
Driver set	003-007010-XX	—
Rigging frame	118-100107-XX	—

Technical support

Technical support for Christie Enterprise products is available at:

- North and South America: +1-800-221-8025 or *Support.Americas@christiedigital.com*
- Europe, Middle East, and Africa: +44 (0) 1189 778111 or *Support.EMEA@christiedigital.com*
- Asia Pacific (*support.apac@christiedigital.com*):
 - Australia: +61 (0)7 3624 4888 or *tech-Australia@christiedigital.com*
 - China: +86 10 6561 0240 or *tech-supportChina@christiedigital.com*
 - India: +91 (80) 6708 9999 or *tech-India@christiedigital.com*
 - Japan: 81-3-3599-7481
 - Singapore: +65 6877-8737 or *tech-Singapore@christiedigital.com*
 - South Korea: +82 2 702 1601 or *tech-Korea@christiedigital.com*
- Christie Professional Services: +1-800-550-3061 or *NOC@christiedigital.com*

Installation and setup

Learn how to install, connect, and optimize the projector display.

Site requirements

To safely install and operate the Christie M RGB Series projectors, the installation location must meet these minimum requirements.

Physical operating environment

- Ambient temperature (operating) 5 to 40°C (41 to 104°F) up to 457.2 meters (1500 feet)
- Humidity (non-condensing) 10% to 80%
- Operating altitude 0 to 3000 meters (0 to 9843 feet) at 5 to 25°C (41 to 77°F) ambient

Physical non-operating environment

- Storage temperature range -25 to 70°C (-13 to 158°F)

Product ventilation

Sufficient ventilation is required around the projector to regulate the temperature of the internal laser module.

The installation site must provide an airflow 450 cubic feet per minute (CFM) at 1 to 1000 meters (3.3 to 3280.8 feet) elevation, and must accommodate a heat load of 3000 W.



For each additional 1000 meters (3280.8 feet) above sea level, increase the airflow (CFM) value by 15%. If the increased airflow requirements cannot be met by the building's HVAC system, the operating temperature range is restricted to 5 to 25°C (41 to 77°F) at a maximum altitude of 3000 meters (9843 feet).

Power connection

Connect to AC power using the power cord provided with the projector.

The product must be protected by a verified circuit breaker with a minimum 20A, which must be provided as a part of the building installation and can be easily replaced.



This product is suitable for connection to an IT power distribution system.

Power requirements

Learn the power requirements for Christie M RGB Series.

4K15 RGB models

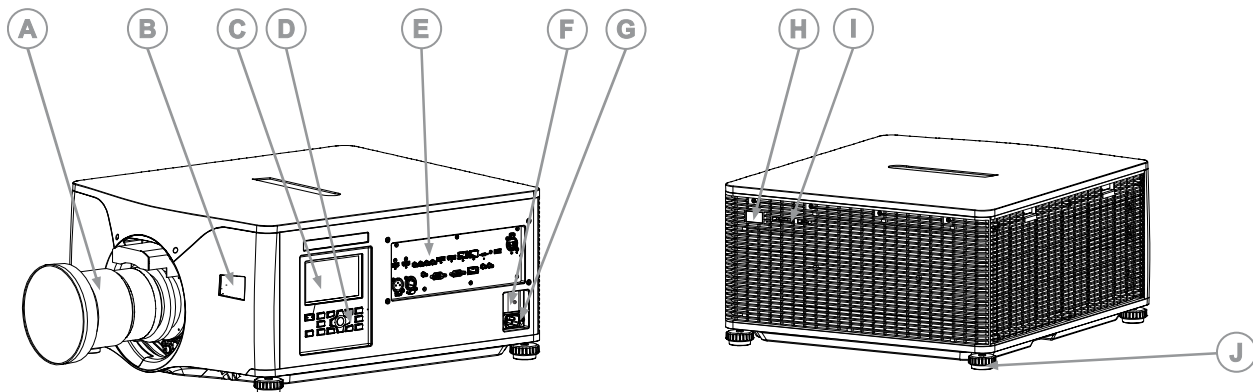
Parameter	Requirement
Rated voltage	100-120 VAC single phase 200-240 VAC single phase
Rated current	12 A at 100-120 VAC 6 A at 200 to 240 VAC
Line frequency	50/60 Hz
Maximum power draw	1200 W

4K25 RGB models

Parameter	Requirement
Rated voltage	100-120 VAC single phase (operating at 60% brightness) 200-240 VAC single phase (operating at 100% brightness)
Rated current	12 A at 100-120 VAC 9 A at 200 to 240 VAC
Line frequency	50/60 Hz
Maximum power draw	1800 W
AC limited voltage	100-120 VAC achieves 60% brightness

Projector components

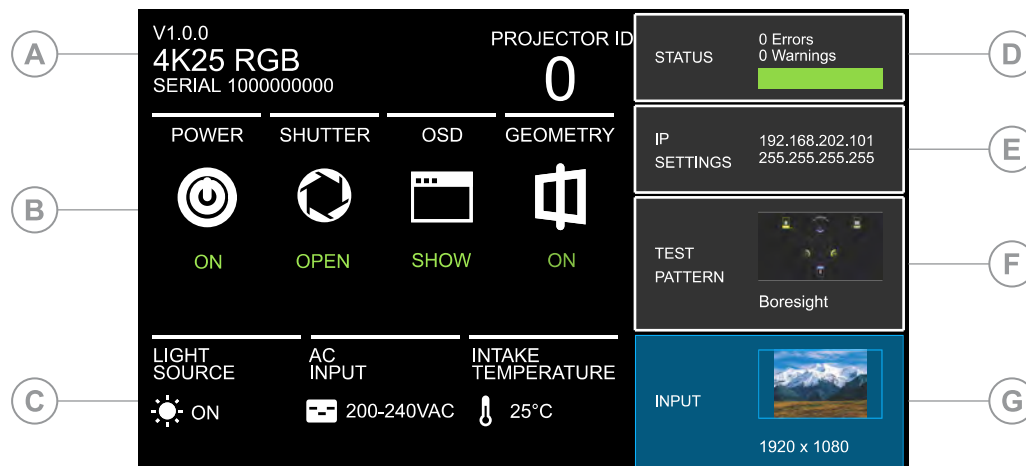
Identify the main components of the projector.



ID	Component	Description
A	Projection lens	A variety of lenses can be used with the projector. Available lenses are listed in the <i>Accessories</i> (on page 19) topic.
B	Front IR	Receives transmissions from the IR remote.
C	Display panel	Displays the projector menus and status.
D	Keypad interface	Controls the projector.
E	Communication and input panel	Connects media sources to the Video Input panel.
F	Power on/off switch	Switch to power the projector on or off.
G	AC input	For use with projector power cord.
H	Rear IR	Receives transmissions from the IR remote.
I	LED and shutter LED status indicator	Indicates power status and shutter status.
J	Adjustable feet	Raise or lower these feet when positioning the projector. Make sure the projector is level on all sides and the displayed image appears rectangular without any keystone.

Display panel components

Identify the main components of the display panel (also known as the home page).



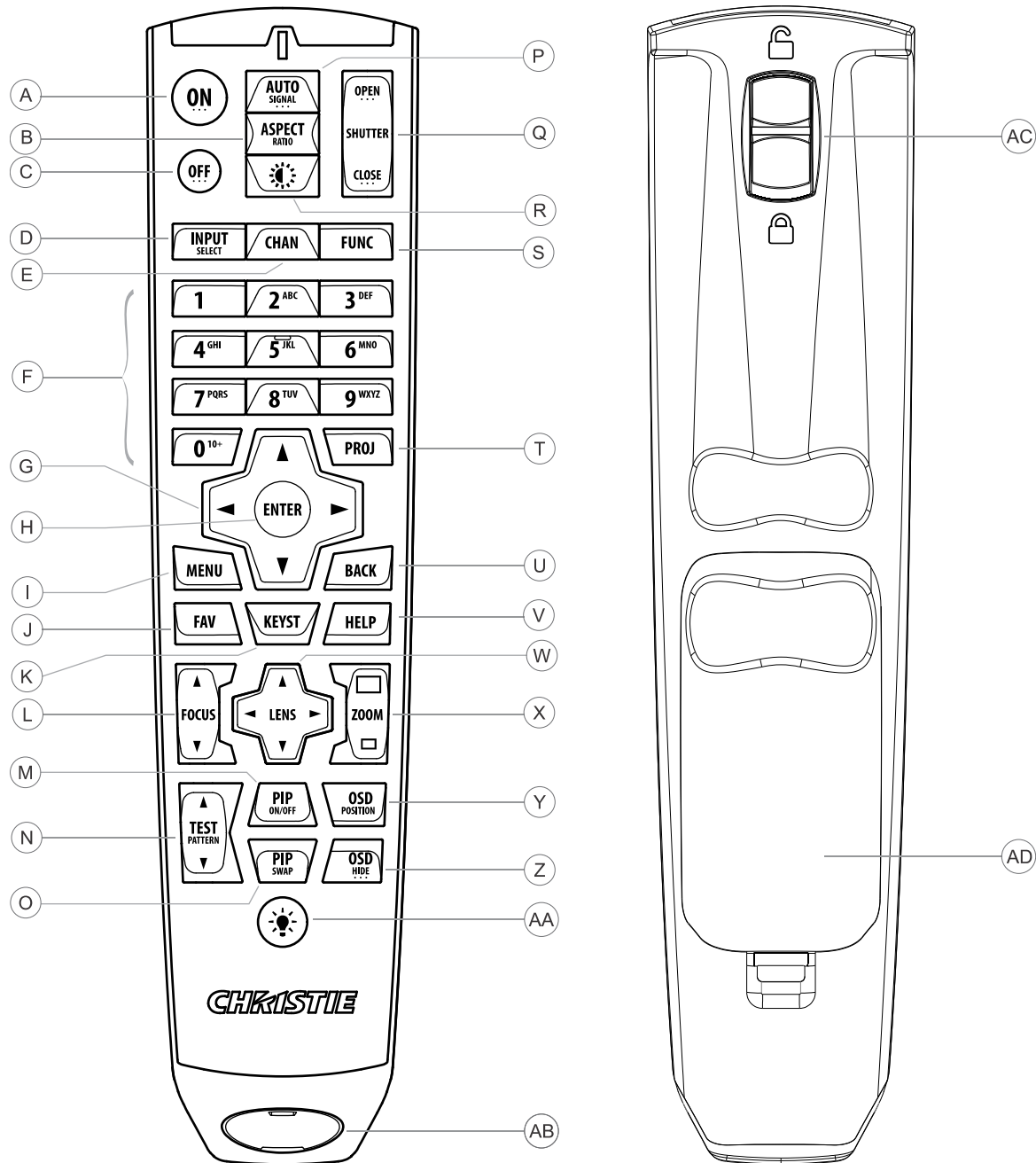
ID	Component	Description
A	Projector Information	Provides information about the projector such as the projector name, serial number, software version, and projector ID.
B	Projector and Component Controls	Indicates the states of the projector and its components.
C	Power and Temperature	Indicates the light source mode, power mode, and intake temperature.

ID	Component	Description
D	Status	Contains information about the health of the projector including the number of warnings and errors. Provides access to the status system.
E	IP Settings	Displays the IP address and subnet values. Provides access to changing the IP settings.
F	Test Pattern	Displays the currently selected test pattern. If no test pattern is selected, Off is displayed. Provides access to the list of test patterns.
G	Input	Displays the signal for the currently selected input. Provides access to the list of input signals.

IR/wired remote keypad

The IR/wired remote keypad controls the projector by way of either wireless communications from a battery-powered infrared (IR) transmitter or a wired interface.

To use the IR remote, direct the keypad toward the projector’s front or rear IR sensor and select a function key. One of the two IR sensors on the projector detect the signal and relay the commands for internal processing. The remote also offers a connector for wired connections to the projector.



Button	Description
A	Powers on the projector light source.
B	Opens the aspect ratio dialog.
C	Turns off the light source and puts the projector in standby.
D	Selects an active or inactive input on any slot.
E	Not supported.

Button	Description
F	Enter a number, such as menu, item index or value.
G	Use the arrows to navigate within a menu or to adjust settings.
H	Selects a highlighted menu item and changes or accepts a value.
I	Toggles the menus on/off.
J	Not supported.
K	Opens the keystone dialog.
L	Adjusts the lens focus.
M	Not supported.
N	Displays a test pattern.
O	Not supported.
P	Optimizes the image automatically.
Q	Opens or closes the shutter.
R	Not supported.
S	Initiates a custom action when a number is selected.
T	Selects a projector in multi-projector installations.
U	Returns to the previous menu level or exits menus if at the top level.
V	Displays context-sensitive help.
W	Arrows adjust the lens offset.
X	Adjust the lens zoom.
Y	Opens the on-screen display position menu.
Z	Shows or hides the on-screen display menus.
AA	Turns the remote backlight on.
AB	Male 3-pin XLR connector for wired option.
AC	Lock/unlock the keypad.
AD	Battery door.

Related information

Enabling the wired remote keypad (on page 82)

Required tools

Make sure the following tools are available during the installation.

- 12 inch screwdrivers: Phillips #2 (magnetic) and flat
- 2.5 mm, 3 mm, and 5 mm hex drivers (provided with the projector)
- Adjustable wrench

- Step stool
- Powder-free N-DEX gloves
- Clean dry air (CDA)

Preparing the installation site

Make sure the installation area is ready for the components.

1. Clear the installation area.
2. Post laser hazard warning signs at all entry doors.
3. Place each component near its installation location.

Lifting and positioning the projector

Safely lift and position the projector in the location where it will be used.



Warning! If not avoided, the following could result in death or serious injury.

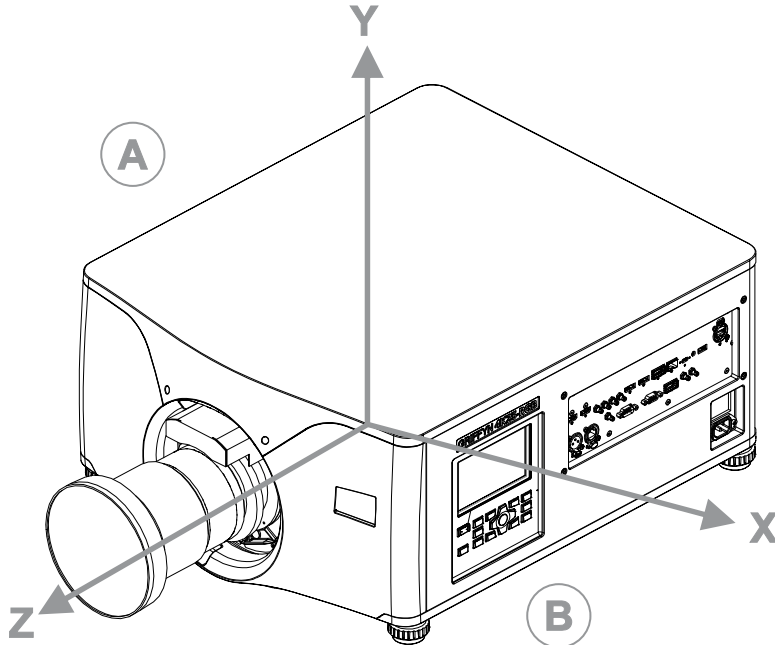
- Do not install or operate the projector in any position that does not meet the stated product specifications for alignment and orientation.
- Do not stack more than three projectors in landscape orientation.

Position the projector so it is centered and parallel with the screen.

If space is limited, aim the projector slightly off-center and use lens offset to center the image on the screen.

Projector sides

While positioned behind the projector and facing towards the screen, the right side (A) of the projector is on the right and the left side (B) is on the left.



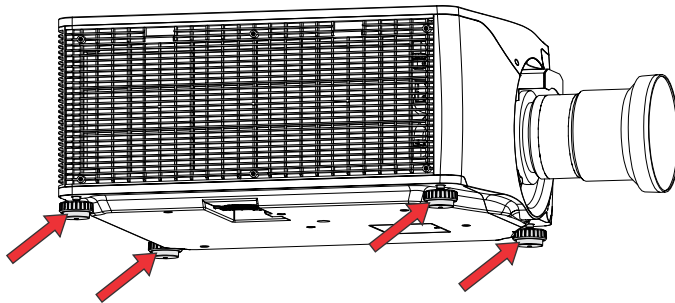
- Z-direction: projection axis originates at the center of the image plane
- X-direction: horizontal left/right with respect to the image plane
- Y-direction: vertical up/down with respect to the image plane

Leveling the projector

Use the projector feet to level the projector.

To adjust the vertical position of the projector, extend or retract the adjustable feet on the bottom of the projector using the adjustable knobs on the feet.

Christie recommends adjusting the feet from the side or rear of the projector and not the front to avoid exposure to the output light.



Installing a projection lens

The projection lens, shipped separately from the projector, must be installed prior to setting up the projector.



Notice. If not avoided, the following could result in property damage.

- Always use a lens plug when installing or moving the product. This prevents contaminants from entering the product.
- Do not insert the lens into the product at an angle. This can damage the lens and the optical components inside the product.
- Always place the lens cap onto the lens when moving the projector to avoid scratching the lens.
- Remove the lens cap before turning on the product to avoid damaging the lens.

The projector includes a motorized lens mount that allows automated lens control and adjustment: vertical and horizontal offsets, zoom, and focus. The projection lens is shipped separately from the projector. Use the lens cap when transporting the lens to avoid scratching and damaging the lens, which could affect your displayed image.

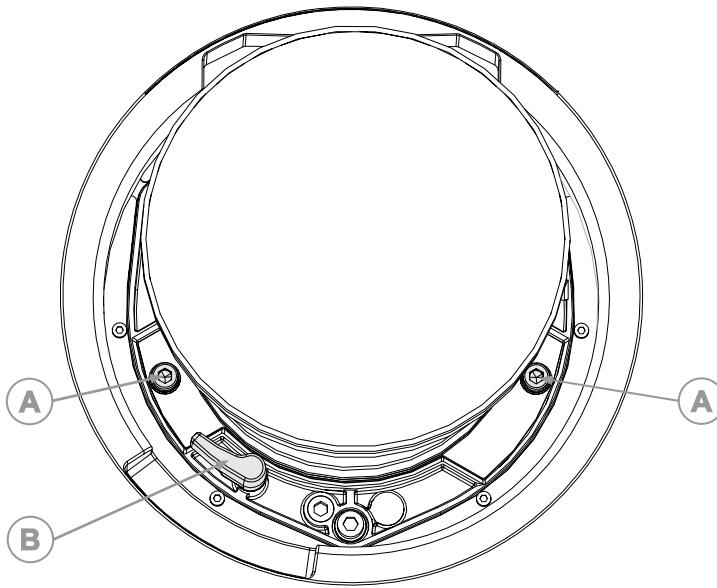
- **Zoom and Focus**—Two internal lens motors allow for quick motorized adjustment of zoom and focus. Adjust zoom to fit the displayed image on the screen and adjust focus to improve the clarity of the image.
- **Lens Offset**—The motorized lens mount allows vertical and horizontal offset of the displayed image.
- **Shutter**—Sets the screen to absolute black, when in the closed state.

Do not adjust motorized lenses by hand without first setting them for manual operation; otherwise, the zoom and focus motors may be damaged.

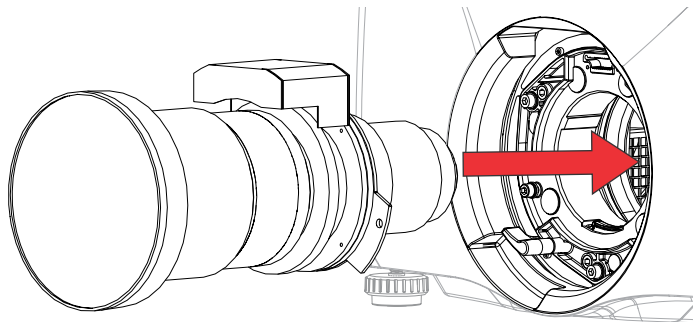
1. Remove the inlet-side lens cap.

Installing the projection lens with the inlet-side cap on can cause physical damage to the projector. Turning on the projector with the inlet-side cap installed can cause burning and contamination damage.

2. Make sure the lens cap is on the lens.
3. Make sure the two security screws (A in the image in step 4) are removed.
4. Rotate the lens clamp (B in the image below) to the open position.



5. Align the lens interface plate with the lens mount and align the lens electrical connector with the mating connector on the lens mount.
6. Fully insert the assembly straight into the lens mount opening without turning and press with your hand as shown.



7. To lock the lens assembly in place, while supporting the lens and holding it flat against the lens mount, push the lens clamp (B in the image in step 4) to lock in position.
8. Remove the front lens cap.
9. To secure the lens to the projector, use a 5 mm hex driver to fasten the security screws (A in the image in step 4) provided with the lens mount.



Warning! If not avoided, the following could result in death or serious injury.

- Failure to use the security screws leaves the lens loose inside the projector.

10. After installing a new lens in the projector:
 - *Adjust boresight* (on page 36).
 - *Perform electronic convergence* (on page 40).

Calibrating the lens motor

Make sure the lens motor is calibrated before using the projector.

If the lens motors are not calibrated properly, implications may include:

- Incorrect reporting of the lens motor position.
- Inability to use the full range of the lens motors.
- Lens motors traveling outside of the pre-defined keep-out area.
- Damage to the projector.

Calibrate the lens motors when any of the following conditions are met:

- After a lens change.
- After the projector is moved and/or jostled.
- After any manual adjustment is made to the zoom or focus.

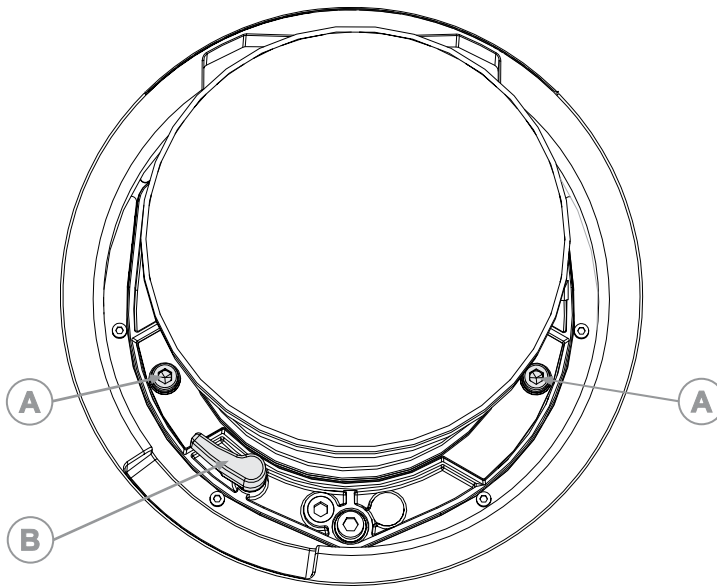
To calibrate the lens:

1. Select **MENU** > **Configuration** > **Lens Settings** > **Lens Calibration**.
2. Select **Enter**.

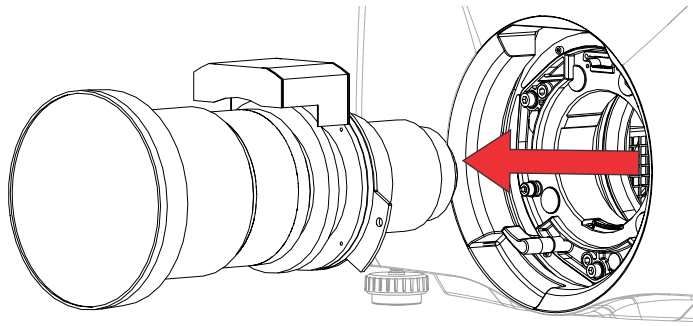
Removing the projection lens

Use the correct method of removing the lens.

1. Remove and retain the two security screws (A), for installation, from the lens mount.



2. Rotate the lens clamp (B) counter-clockwise to the open position.
3. Slide the lens straight out of the projector.
If the lens does not slide out easily, reset the lens offset before removing the lens.




4. Attach the lens cap to avoid damage.
Packaging tape is required to ensure safe shipment of the projection lens to restrain the zoom ring from rotating during shipping.

Turning on the projector

When the projector AC power supply is plugged in and the breaker switch is on, the power is on.



Warning! If not avoided, the following could result in death or serious injury.

- **SHOCK HAZARD!** Do not attempt operation if the AC supply is not within the specified voltage and current, as specified on the license label.
1. Plug the projector into AC power and turn on the breaker switch.
When plugged in and the breaker switch is on, the projector automatically powers on to standby mode within 60 seconds. The display panel functionality becomes available.
 2. To turn on the light source using the projector keypad, select and hold the **Power**  button until a beep sounds.
To turn on the light source using the remote, select and hold the **ON** button until you a beep sounds.

Projector LED status indicators

Identify the LED state colors and meaning.

LED	State		Description
Blue	Solid	Standby	Light source is off. Video electronics are off. Projector status is OK.
	Flashing	Cool down	Projector is moving to one of the two standby states: <ul style="list-style-type: none"> • Light source is off and video electronics are booting up. • Light source is off. Video electronics and light source is cooling down.
Green	Solid	Light source on	Light source is on. Projector status is OK.

LED	State		Description
	Flashing	Startup	Projector is moving to light source on state. Light source is warming up. Video electronics are initializing.
Yellow	Solid	Warning in standby	Projector is in standby state. A problem exists with the projector that does not prevent it from operating.
	Flashing yellow/green	Warning during startup	Projector is in a startup state. A problem exists with the projector that does not prevent it from operating.
	Flashing	Warning with light source on	Light source is on. A problem exists with the projector that will not cause it to shut down.
	Flashing yellow/blue	Warning during cool down	Projector is in a cool down state. Light source is off. Video electronics and light source are cooling down. A problem exists with the projector that does not prevent it from operating.
Red	Solid	Error in standby	Projector is in standby. An error exists that prevents the projector from starting up.
	Flashing	Error	An error with the projector exists during startup, cool down, or when the light source is off. Projector will proceed to shut down.
Off		AC off	The AC power is off.


Projector LED shutter indicators

Identify the shutter LED state colors and meaning.

LED	State	Description
Solid magenta	Shutter closed	The shutter is closed. In standby, the shutter is always automatically closed and the magenta light is muted.
Off	Shutter open	The shutter is open.

Turning off the projector

When powering off in preparation for inspection or maintenance, always disconnect from AC.

- To turn off the light source using the projector keypad, select and hold the **Power**  button until a beep sounds.
To turn off the light source using the remote, select and hold the **OFF** button until a beep sounds.
When powering off the projector, allow the projector to complete its cool down cycle. Do not immediately unplug the projector if this can be avoided.
- To turn off power to the projector, turn off the projector breaker switch.
- Disconnect the power supply cord.

Aligning the image

Only perform image alignment after the projector is fully assembled and powered up in its final location.

Basic image alignment ensures the image reflected from the DMDs is parallel and well-centered with the lens and screen. This initial optical alignment is the foundation for optimizing images on the screen and must be completed before final boresight adjustments. Before beginning, make sure the projector is properly positioned in relation to the screen.

1. Make sure the projector is positioned in the throw distance range for the particular lens.
2. Display a test pattern.
3. Do a quick preliminary focus and (if available) zoom adjustment with the primary lens.
Do not worry about consistency across the image at this point, just center focus. It is good practice to have zoom adjustment and focus adjustment in the center of its range.
4. Holding a piece of paper at the lens surface, adjust offsets as necessary until the image is centered within the lens perimeter. A full black field works best for this.
5. If the projector is mounted off center to the screen axis, offset the lens as much as required. Aim the projector over slightly towards the center of the screen, but use caution when doing so, as too much tilt causes excessive keystone distortion.
6. With a framing pattern on screen, double-check projector leveling so the top edge of the image is parallel to the top edge of the screen.

Adjusting offset

Adjust the offset to align the image on the screen. Always adjust offset before adjusting boresight.



For the best optical performance and minimal keystone, use offsets instead of aiming at the center of the image, in off-axis installations. Avoid extreme tilts or offsets. Corner vignettes on a white test pattern indicate extreme offset that should be avoided using mechanical alignment.

1. Project an image with the primary lens.
2. Select a framing test pattern.
3. Select **LENS OFFSET**.
You can also select **MENU > Configuration > Lens Settings > Lens Offset**.
4. Use the arrows to adjust the offset to display a square image on the screen, with minimal projector aiming error.
5. To exit to the home page, select **Back**.

Resetting the lens to home position

Realign the lens to the home position after the lens has been offset and out of alignment.

1. Select **LENS OFFSET**.
You can also select **MENU > Configuration > Lens Settings > Lens Offset**.
2. To reset the lens to the default home position, select **Enter**.
3. To confirm the reset, select **OK**.

Selecting a test pattern

Many test patterns are available to assist with the configuration of the projector and to diagnose any issues that may occur.

1. From the display panel, use the arrows to select **Test Pattern**.
You can also select the test patterns from **MENU > Test Pattern** or pressing **N** on the IR remote.
2. Scroll through the list of test patterns.
3. Select the required test pattern.
4. To confirm your selection, select **Enter**.

Adjusting boresight

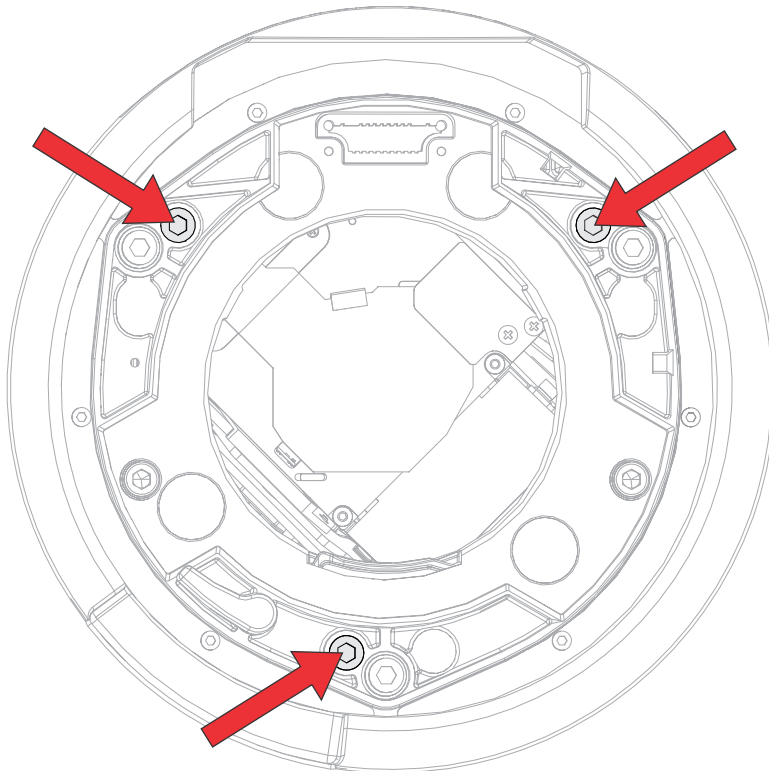
The boresight adjustment balances the tilt of the lens mount to compensate for screen-to-projector tilt.



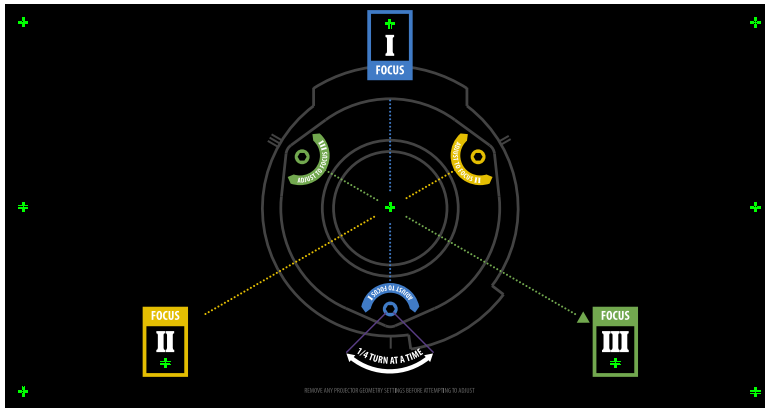
Caution! If not avoided, the following could result in minor or moderate injury.

- Do not look directly into the lens when the light source is on. The extremely high brightness can cause permanent eye damage.

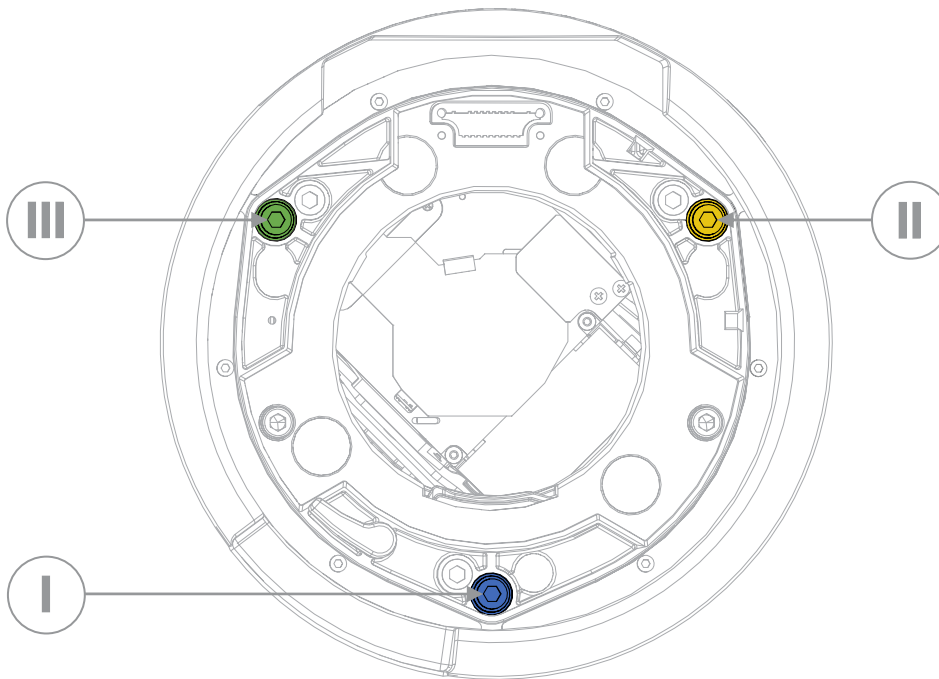
1. Close the shutter on the projector.
2. Unlock the three lens mount stabilization screws.



3. Open the shutter.
4. From the Test Pattern menu, select the **Boresight** test pattern.
The Boresight test pattern assists with adjusting the boresight for the three focus points.



- To focus the top boresight guide, adjust the blue boresight screw (I in the image below). Adjust the screw 1/4 turn. If you get to the end, further unlock the corresponding stabilization screw.



- To focus the right boresight guide, adjust the green boresight screw (III in the image in step 5).
- To focus the left boresight guide, adjust the yellow boresight screw (II in the image in step 5).
- To continue to refine the focus, repeat steps 5 to 7.
- Before adjusting the stabilization screws, close the shutter.
- To maintain the adjustments, lock the stabilization screws.
When locking the screws, start with the bottom stabilization screw and turn it so it just touches the base. Repeat for the other two stabilization screws. Continue to adjust the locking screws until they are tight.
- Open the shutter.

Adjusting the fold mirror

Fold mirror adjustment must be completed by trained personnel.

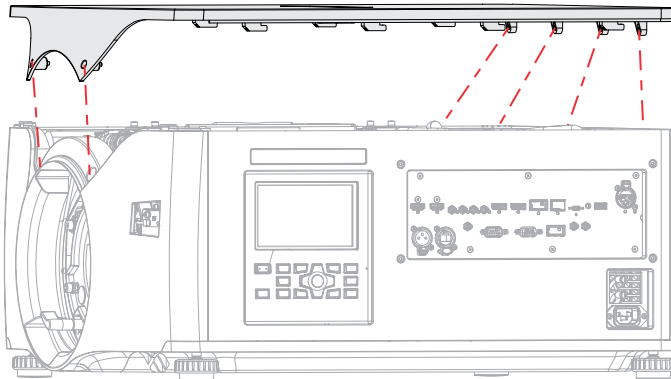


Notice. If not avoided, the following could result in property damage.

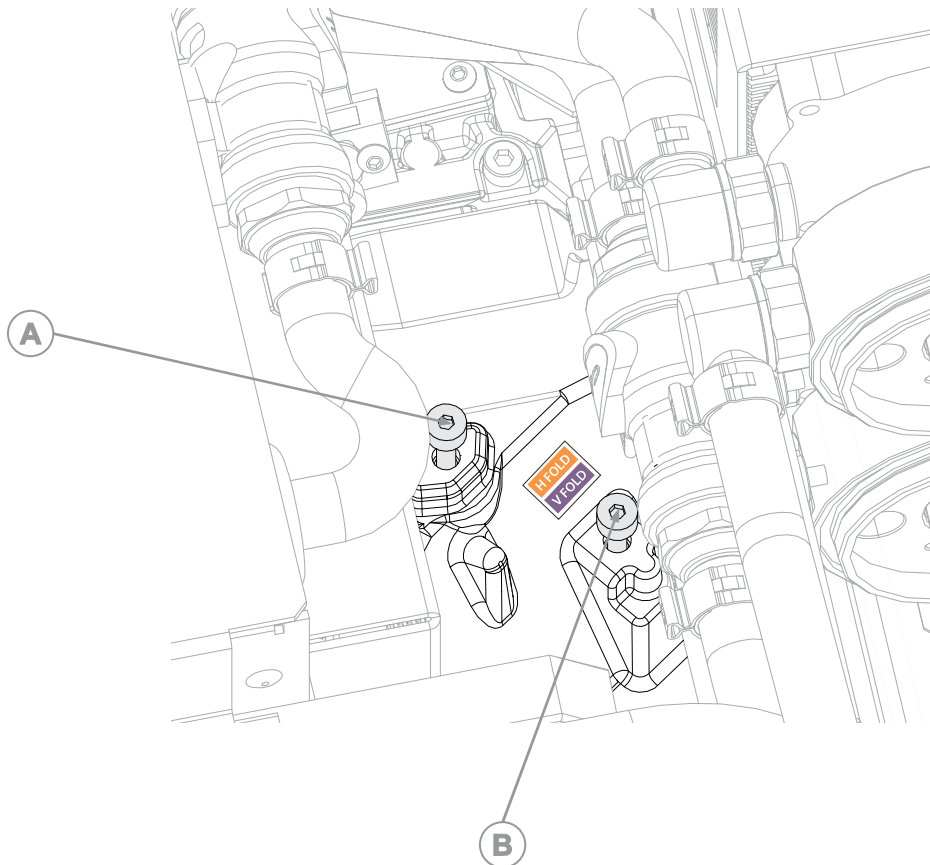
- Misalignment of the fold mirror may cause permanent damage to the product.

1. Set the projector to less than 30% brightness.
2. From the Test Pattern menu, select the **Integrator Rod** test pattern.
3. Loosen the six screws securing the top cover.

Two screws are located at the front of the projector and four screws are located at the rear of the projector.



4. Slide the top cover forward to release it and remove the cover.
5. To make horizontal adjustments, adjust the 2.5 mm hex screw labeled H FOLD (A in the image below).

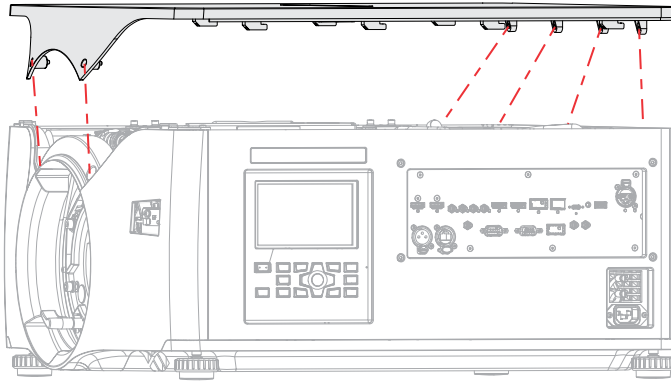


6. To make vertical adjustments, adjust the 2.5 mm hex screw labeled V FOLD (B in the image in step 6).
7. To continue to refine the fold mirror adjustment, repeat the horizontal and vertical adjustments.
8. Once satisfied with the alignment, increase the projector power.

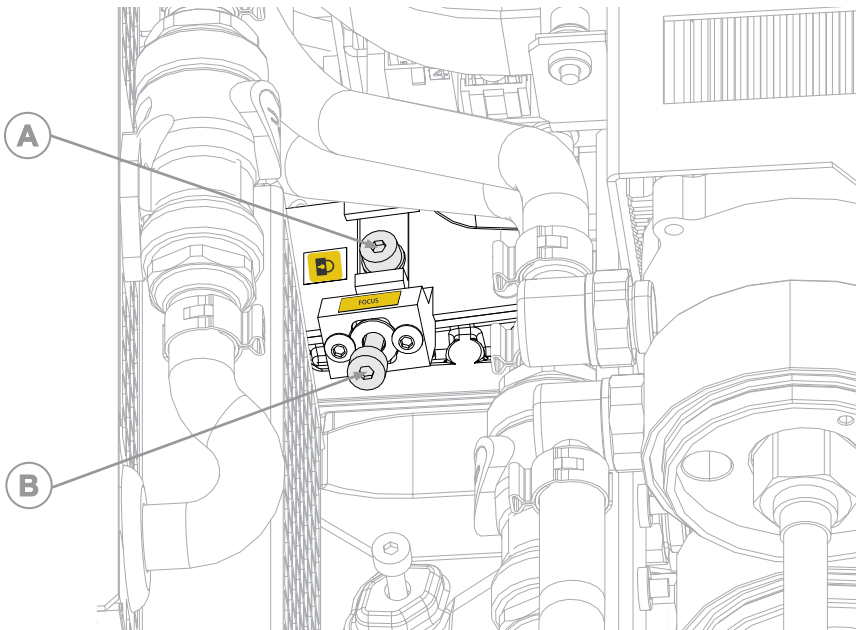
Optimizing the integrator focus

Optimize the light focus on the digital micromirror devices (DMDs).

1. Set the projector to less than 30% brightness.
2. From the Test Pattern menu, select the **Integrator Rod** test pattern.
3. Loosen the six screws securing the top cover.
Two screws are located at the front of the projector and four screws are located at the rear of the projector.



4. Slide the top cover forward to release it and remove the cover.
5. Before optimizing the integrator focus, *adjust the fold mirror* (on page 38) to expose the top or bottom edge of the light spot on the DMD.
6. Using a 2.5 mm hex driver unlock the focus adjustment mechanism (A in the image below).



7. Adjust the focus on the screen using the 2.5 mm adjustment screw (B in the image in step 4).
8. When complete, lock the focus adjustment (A in the image in step 4).
9. *Re-align or optimize the fold mirror* (on page 38).
10. Replace the top cover.

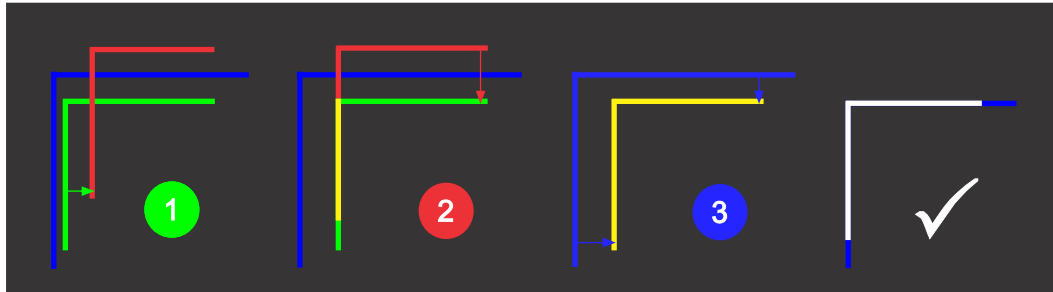
Adjusting digital micromirror device (DMD) convergence

A convergence problem occurs when one or more projected colors (red, green, and blue) appears misaligned when examined with a convergence test pattern.

Adjusting the convergence is accomplished by aligning a red, green and blue sprite, which is displayed at the four corners of the displayed image. For electronic convergence all three colors can be adjusted.

Always align the color components of the sprite to the inner most line color (for each axis). When converged, the three colors should overlap to form white lines. Applying the sprite alignment settings to the screen results in the three colors overlapping to form white lines throughout the image.

One or more poorly converged individual colors may appear adjacent to some or all of the lines.



If you wear glasses with corrective lenses when performing this adjustment, make sure you are viewing the test pattern on a straight angle through the optical axis of your glasses and not from a tilted or angled perspective. This avoids a prismatic effect that can appear to shift convergence when viewing at an angle.

You can accomplish electronic convergence using either the remote, the display panel, or the web user interface.



Christie recommends the following when adjusting electronic convergence:

- Use the remote.
- Perform e-convergence with the actuator on, if the projector contains an actuator.

Electronically adjusting convergence with the remote

Use the electronic convergence feature with the remote to adjust convergence.



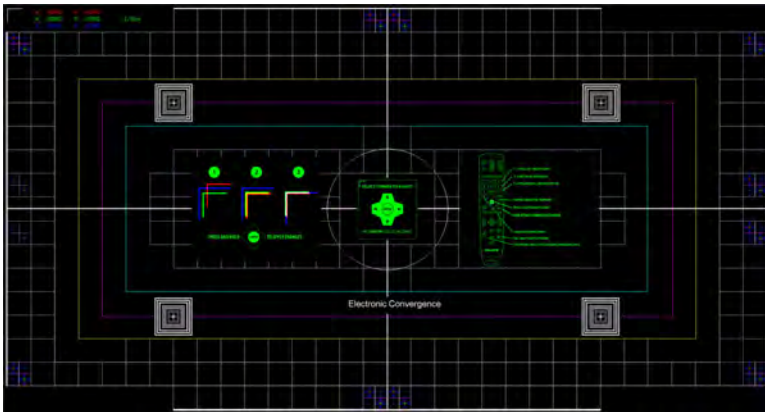
If warping with Christie Twist or Mystique, make sure the warp files are disabled before entering the electronic convergence feature.

When using the remote to do electronic convergence, the following functionality is not available:

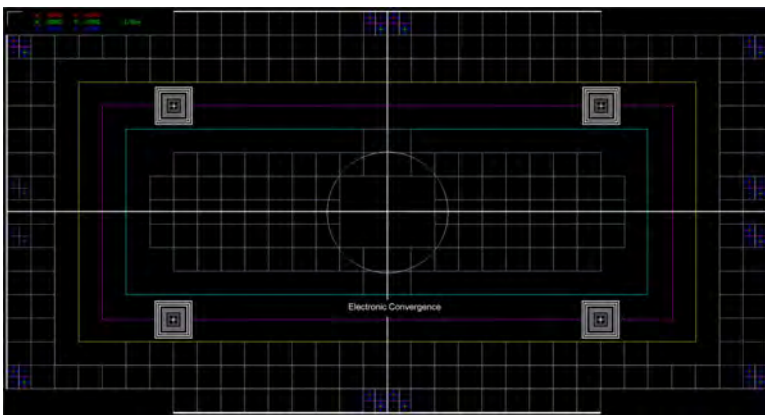
- Lens movement functions
- Image optimization and setting the aspect ratio
- Keystone adjustments
- Customized actions
- Context-sensitive help
- On-screen display menu

Follow these steps to adjust convergence electronically with the remote.

1. Before adjusting digital micromirror device (DMD) convergence, make sure the projector has reached a steady operational state. If switching from a white or bright test pattern to a dark convergence test pattern, or if warming up the projector after a shutdown, allow 15 minutes for stabilization so the optics can reach a steady state.
2. On the remote, select **Test Pattern** and select the **E-Convergence** test pattern.



The E-Convergence test pattern is displayed, including the instructional text. To remove clutter from the screen or if familiar with the electronic convergence, turn off the instructional text. On the remote, select **OSD Hide** for two seconds.



Until electronic convergence is completed, the displayed image may appear to be blurred and difficult to read, especially for white text, due to the mis-convergence of the red, green, and blue pixels.

3. Select the corner sprite you want to adjust first.
By default the top-left position is selected.
4. Lock the color component of the sprite to align the other two color components to, and then unlock one or both of the two remaining color components to adjust.
On the remote use keys **1** (red), **2** (green), and **3** (blue) to lock and unlock the color components of the sprite.
Always align the color components of the sprite to the inner most line color (for each axis).
By default, all three color components (red, green, and blue) are displayed. It may be helpful to obtain a better view of the position of a particular color component if one or two of the other colors are deselected. On the remote, use keys **4** (red), **5** (green), and **6** (blue) to show or hide the color components.
5. Move the red, green, and/or blue components for the selected sprite either horizontally (x-axis) or vertically (y-axis) to align to the inner most line color.
On the remote, use the **Up** and **Down** keys to adjust vertically on the x-axis and the **Left** and **Right** arrows to adjust horizontally on the y-axis.
To change the step size for the adjustment, on the remote select **7** (decrease) or **9** (increase).
The default is 1/8th of a pixel.

You cannot move the selected sprite outside the resolution range.

6. Repeat steps 4 and 5 for the other axis.
7. To apply the alignments and update the test pattern (so the effect is seen on the screen), on the remote select and hold **Enter**.
A countdown is initiated and a message displayed when the alignments are applied.
To apply the alignments to the test pattern at any time, press and hold the **Enter** button.
Applying alignments to the test pattern does not automatically save the convergence settings to the projector. For how to save the convergence to the projector, refer to step 10.
8. To adjust remaining corners, repeat steps 3 to 7.
To move to the next corner, on the remote press **Back**. The Select Corner to Adjust dialog appears. Use the arrow keys to select the next corner you want to adjust.
9. If the corner adjustment is not what you want or to start over with the alignment, reset the sprite positions:
 - a) On the remote, press **0**.
 - b) To reset the selected corner's alignment, select **Selected** and select how the chosen sprite position should be reset: **Factory**, **Zero**, or **Last Saved**.
 - c) To reset the alignments for all the corners, select **All** and select how the sprite positions should be reset: **Factory**, **Zero**, or **Last Saved**.
10. To save the convergence and exit, on the remote press **Test Pattern**.
If no changes have been made, the projector exits the electronic convergence function. If any changes have been made to the convergence, a Save or Discard Changes dialog appears.
 - a) To save and exit, select **SAVE** and **ENTER**.
The convergence settings are applied and saved to the projector before exiting the electronic convergence function.
 - b) To exit without saving, select **DISCARD** and **ENTER**.
The convergence settings are not saved to the projector and the previous convergence settings are applied.
11. Optionally, to overwrite the convergence factory defaults with the new convergence settings:
 - a) Select **MENU** > **Admin** > **Service** > **Convergence** and select **Enable E-Convergence Adjustment**.
 - b) Select **Save to Factory Defaults**.
 - c) Select **MENU** > **Admin** > **Service** > **Convergence** and clear **Enable E-Convergence Adjustment**.



If overwriting the convergence factory defaults, when resetting the projector to the factory defaults, the projector is reset to the settings saved by this option

Electronically adjusting convergence through the menu

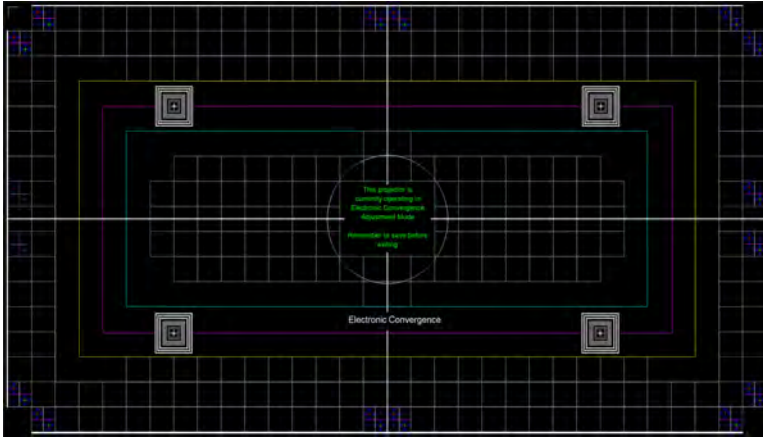
Use the electronic convergence feature in the menu to adjust convergence.

For an overview of the digital micromirror device (DMD) convergence adjustment process, refer to *Adjusting DMD convergence* (on page 40).



- If warping with Christie Twist or Mystique, make sure the warp files are disabled before entering the electronic convergence feature.
- Christie recommends using the remote to adjust convergence.

1. Before adjusting DMD convergence, make sure the projector has reached a steady operational state. If switching from a white or bright test pattern to a dark convergence test pattern, or if warming up the projector after a shutdown, allow 15 minutes for stabilization so the optics can reach a steady state.
2. To enable electronics convergence, select **MENU > Admin > Service > Convergence** and select **Enable E-Convergence Adjustment**.
The Electronic Convergence test pattern is automatically displayed.



Until electronic convergence is completed, the displayed image may appear to be blurred and difficult to read, especially for white text, due to the mis-convergence of the red, green, and blue pixels.

3. From the Select Corner to Adjust list, select the corner you want to adjust first.
By default, the top-left position is selected.
4. From the Select Sprite Color to Adjust list, select the sprite or combination of sprites you want to adjust.
By default, red is selected.
It may be helpful to obtain a better view of the position of a particular sprite if one or two of the other sprites are deselected (set in step 5).
5. To show one or more sprites for each corner, select **Show Red Sprite**, **Show Green Sprite**, and/or **Show Blue Sprite**.
By default, all three sprite colors are selected.
6. From the Select Step Size list, select the size of the step adjustment.
By default, 1/8th is selected.
7. To modify the position for the selected sprite(s), select **Adjust**.
8. In the ADJUST SPRITE POSITION dialog, use the arrow keys to adjust the sprite(s) position.
You cannot move the selected sprite outside the resolution range.
9. To check the results of the adjustment on the screen, select **Apply**.
10. To retry the convergence or convergence the next color and sprite, repeat steps 4 to 9.
11. To adjust remaining corners, repeat steps 3 to 11.
12. To apply and store the new settings, select **Save**.
13. Optionally, to overwrite the convergence factory defaults with the new convergence settings, select **Save to Factory Defaults**.



If overwriting the convergence factory defaults, when resetting the projector to the factory defaults, the projector is reset to the settings saved by this option

14. To reset the electronic convergence, select **Reset**.
15. From the RESET CONTROL POINTS dialog, select the reset options.
 - Points—Reset all or the selected control points.
 - Reset to—Reset to the last saved e-convergence settings or to the factory defaults.
16. Select **OK**.
17. When complete, clear the **Enable E-Convergence Adjustment** checkbox.
This turns off the Convergence test pattern.

Aligning the image with lens zoom and focus

The lens zoom and focus adjustment allows the projected image to be focused and shifted to align with the screen.

1. Display an image or test pattern that can be used to analyze image focus and geometry.
2. Select **ZOOM**.
3. Use the up and down arrows to zoom in or out of the image.
4. To exit, select **Back**.
5. Select **FOCUS**.
6. Use the up and down arrows to adjust the focus of the image.
7. To exit, select **Back**.
8. To refine your adjusts, repeat steps 2 to 7.

Running Auto Setup to optimize display settings

Auto Setup initiates an automated process in which the projector optimizes video settings for the active signal. Auto Setup helps to save time in perfecting a display and you can modify the adjustments as required.

1. Make sure of the following before running Auto Setup:
 - *Test patterns are turned off* (on page 36).
 - The active signal is valid.
2. From the remote, select **Auto Signal** or from the web UI, select **Auto Setup**.
3. Select **Run Auto Setup**.
The system optimizes the active signal and displays a progress message on screen.

Disposing of the product packaging

Once the product has been installed and set up, Christie recommends reusing or recycling the product packaging according to your local regulations.

Completing the installation checklist

Complete the provided installation checklist (P/N: 020-103137-XX) and return it to Christie.

Connecting devices and establishing communication

Learn how to connect external devices to the projector.

Video Input panel

The Video Input panel has a variety of ports that can be used for control, 3D sync, upgrading, retrieving interrogators, and connecting audio.

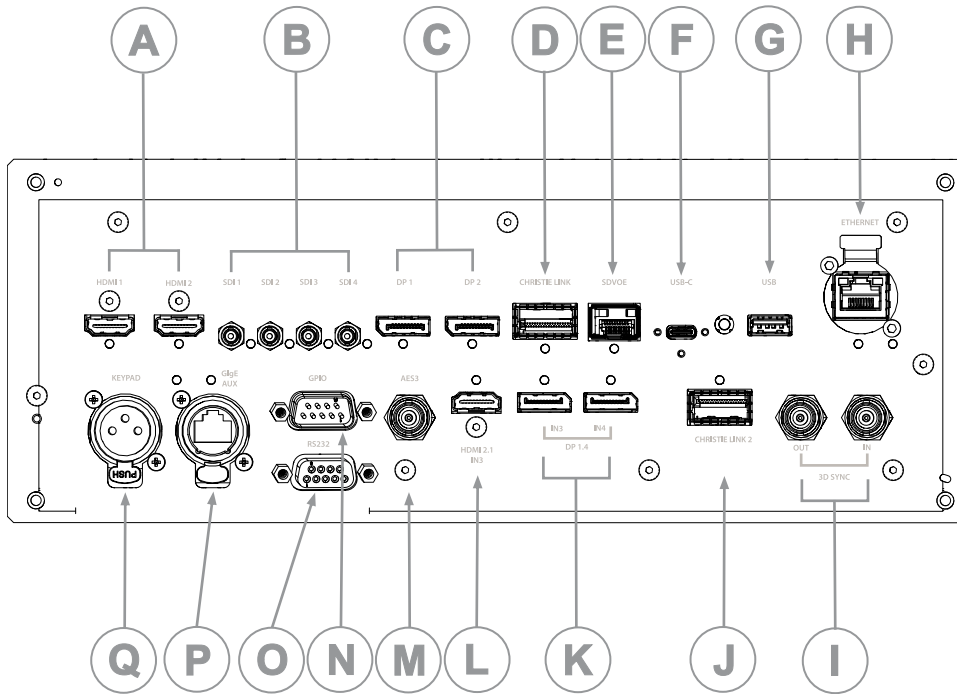
Video Input panel components

The following table lists the video components available depending if the card cage has VOM-HBI or VOM-IF connections. The images below illustrate the connections available for both options.

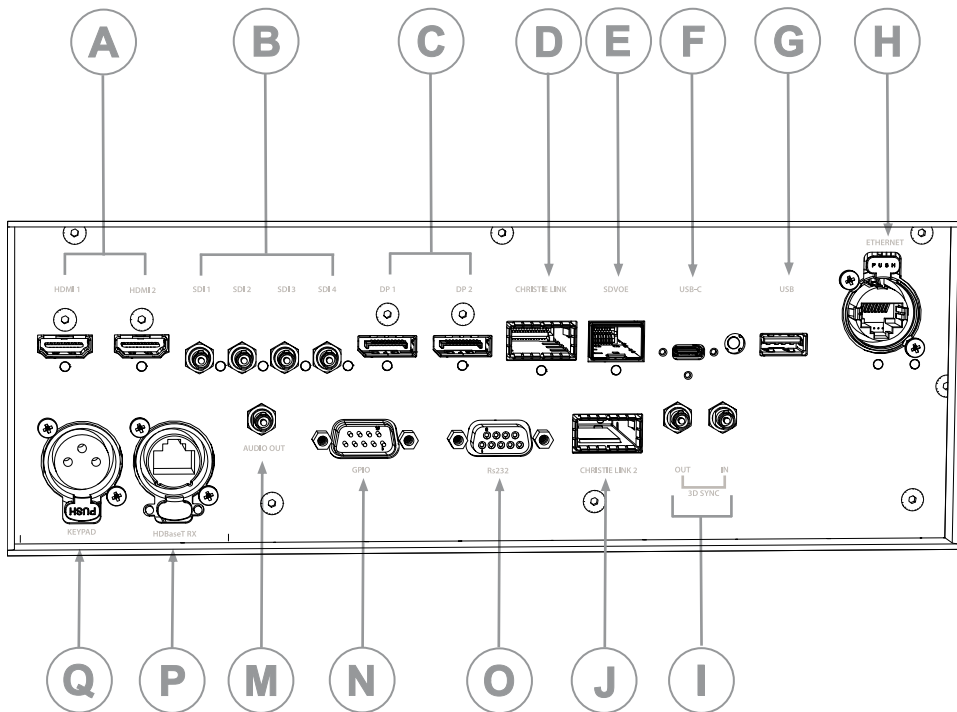
ID	Port	Description	Default enabled	SDVoE enabled
A	HDMI	Accept digital video data from HDMI 2.0 input with HDCP 2.2 and 1.4 support.	X	X
B	SDI	Accepts digital video data from 12G, 6G, 3G, and HD SDI sources.	X	
C	DisplayPort	Accepts digital video data from DisplayPort 1.2 input with HDCP 1.3 support.	X	
D	Christie Link	Accept digital video data from QSFP+ 40 GB optical Christie Link input.	X	X
E	SDVoE	Accept digital video data from SDVoE input. Not all projectors support for the SDVoE feature. To determine if your projector supports the SDVoE function, see <i>Determining if SDVoE is supported</i> (on page 72) or contact Christie Technical Support.		X
F	USB -C	Connects a USB-C flash drive that has been formatted with a FAT32 file system. Can be used for upgrades, backups, restores, and interrogators.		
G	USB 3.0-A	Connects a USB flash drive that has been formatted with a FAT32 file system. Can be		

ID	Port	Description	Default enabled	SDVoE enabled
		used for upgrades, backups, restores, and interrogators.		
H	Ethernet	Ethernet, and network connection for remote control. 10/100/1000 Base-T Ethernet x 1 ruggedized connector.		
I	3D Sync In/3D Sync Out	Supported for 3D-enabled projectors (mini BNC for VOM-IF and standard BNC on VOM-HBI).		
J	Christie Link	Reserved for future use.		
K	DP 1.4	Accepts digital video data from DisplayPort 1.4 supporting EDID 1.3 with HDCP 1.3 support (for VOM-HBI only).	X	
L	HDMI 2.1	Accept digital video data from HDMI 2.1 supporting EDID 1.3 with HDCP 2.2 and 1.4 support (for VOM-HBI only).		
M	Audio Out	Not used for VOM-IF.		
	AES3 Out	Supports stereo digital audio output according to AES-3 ID for VOM-HBI.		
N	GPIO	Provides a method for controlling the projector using electrical signals.		
O	RS232	Sends/receives Christie serial commands using a standard RS232 serial cable.		
P	HDBaseT	Accepts HDBaseT V2.0 signals. HDBaseT x 1 ruggedized connector for VOM-IF. A secondary Ethernet port reserved for future use for VOM-HBI.	X	X
Q	Wired keypad	Physically connects a remote control to the projector.		

VOM-HBI Video Input panel



VOM-IF Video Input panel



Configuration options

The Video Input panel has two configuration options: Default and SDVoE. The selected option determines what video input configurations are enabled on the Video Input panel.

To enable the SDVoE option, plug in the SDVoE source into the Video Input panel and from the Input Configuration menu select **Main Menu > Configuration > Input Settings > Video Input configuration > SDVoE**.

To return to the default configuration, select **Default**.

Configuring video input

Defines which video inputs are available. This setting is persistent so when the projector powers up, it loads the video input defined below.



When changing the selection, the system takes up to 15 seconds to re-configure. During this time the user interface is not responsive.

1. Select **MENU > Configuration > Input Settings > Video Input Configuration**.
2. Select the appropriate video input configuration:
 - **Default**—Supports HDMI, DP, SDI, HDBaseT, and ChristieLink. (Default)
 - **SDVoE**—Supports HDMI, SDVoE, HDBaseT, and ChristieLink.
3. Select **Enter**.

Enabling projector communication

Enable the receivers and the wired keypad to communicate with the projector from the remote.

The front and rear IR sensors receive transmissions from the IR remote. Keep the transmission path to these sensors unobstructed for uninterrupted communications with the projector.

Alternatively, you can connect a wired version of the remote to the connector on the IMXB labeled Wired Keypad.

1. Select **MENU > Communications > Projector Communications**.
2. To assign the projector an ID, select **Projector ID**.
3. Use the up and down keys to enter the projector ID.
4. Select **Enter**.
5. To enable the rear IR sensor, select **Rear IR Enabled** and select **Enter**.
6. To enable a wired version of the remote, select **Wired Keypad Enabled** and select **Enter**.
By default this feature is enabled.

Setting the remote access level

Determine if and how the projector can be accessed remotely for the RS232 port or the Ethernet.

1. From the display panel, select **MENU > Admin > Service**.
2. Enter the service password.

3. To determine the remote access for the Ethernet port, select **Remote Access Level (Ethernet)**.
4. Select the appropriate remote access level:
 - No Access
 - Login Required
 - Free Access
5. Select **Enter**.
6. To determine the remote access for the RS232 IN port, select **Remote Access Level (RS232 IN)**.
7. Select the appropriate remote access level:
 - No Access
 - Login Required
 - Free Access
8. Select **Enter**.

Selecting a port configuration

Select a port configuration before you select a video source.

1. From the display panel, select **INPUT**.
2. To access the port configuration dialog from the input screen, select the right arrow.
You can also access the Port Configuration screen from **MENU > Configuration > Input Settings > Input Port Configuration**.
3. From the Port Configuration screen, navigate the list of port configurations until you find the selection that best matches your configuration.
The range of available configuration depends on the projector model and/or input/output combinations. When the Default configuration is selected (**Main Menu > Configuration > Input Settings > Video Input configuration > Default**), the following configurations are supported:
 - One-port
 - Two-port
 - Four-port quadrants
 - One-port dual-input 3D (3D license-specific)When SDVoE is selected (**Main Menu > Configuration > Input Settings > Video Input configuration > SDVoE**), the one-port configuration is selected.
4. To return to the Input screen, select the left arrow.

Selecting a video source

After connecting a video source to the projector and making sure your port configuration is correct, you must select it.

1. From the display panel, select **INPUT**.

2. Navigate the list of input selections until you find a selection that best matches your configuration.

The range of available input selections depends on the projector model and/or input/output combinations. When the Default configuration is selected, the following inputs are supported for each configuration:

- One-port—HDMI, SDI, DisplayPort, Christie Link, HDBaseT
- Two-port—DisplayPort, Christie Link
- Four-port quadrants—SDI
- One-port dual-input 3D (3D license-specific)—HDMI, SDI, DisplayPort, Christie Link

When SDVoE is selected, the HDMI, SDVoE, Christie Link, and HDBaseT inputs are supported for the one-port configuration.

3. To select the input, select **Enter**.

Connecting an HDMI video source

For the projector to accept digital video data from HDMI sources, plug the HDMI source directly into the Video Input panel (in the VOM-IF and VOM-HBI Video Input panel images, the A callout shows the HMID 2.0 port and in the VOM-HBI Video Input panel image, the L callout shows the 2.1 port).

For more details (including images and callouts) on the VOM-IF and VOM-HBI Video Input panels, see *Video Input panel* (on page 47).

The input configurations listed below are supported.

Input configuration	Description
One-Port	Enables connection of one HDMI cable. Supports both 2D and 3D frame-packed, top and bottom. In this configuration, the HDMI input supplies the entire video raster.
One-Port, Dual-Input 3D	May be used for Dual-Input 3D configurations, where HDMI 1 = left eye input and HDMI 2 = right eye input.

HDMI 2.0 video formats

The following image formats are supported by the two HDMI 2.0 inputs (the A callout in the VOM-IF and VOM-HBI Video Input panel images).

For more details (including images and callouts) on the VOM-IF and VOM-HBI Video Input panels, see *Video Input panel* (on page 47).



- In the tables below all 1920x1200 and 3840x2400 formats only apply to Christie M 4K+15 RGB and Christie M 4K+25 RGB.
- In the tables below all 2048x1080 and 4096x1260 formats only apply to Christie Eclipse, Christie M 4K15 RGB, Christie M 4K25 RGB, and Griffyn Series.
- Frame rates also include fractional 1/1.001 frame rates.

One-port 2D HD/2K and UHD/4K

The following one-port 2D HD/2K and UHD/4K HDMI 2.0 image formats are supported on each of the HDMI inputs.

	Format	Cables	Frame rate (Hz)	Sampling	Bit-depth
HD	1920x1080	1	24, 25, 30, 50, 60, 120	Y'C _B C _R /RGB/4:4:4 Y'C _B C _R /4:2:2	8/10/12bpc
	1920x1200	1	24, 25, 30, 50, 60, 120	Y'C _B C _R /RGB/4:4:4 Y'C _B C _R /4:2:2	8/10/12bpc
	2048x1080	1	24, 25, 30, 50, 60, 120	Y'C _B C _R /RGB/4:4:4 Y'C _B C _R /4:2:2	8/10/12bpc
4K	3840x2160	1	24, 25, 30	Y'C _B C _R /RGB/4:4:4	8/10bpc
	3840x2160	1	24, 25, 30	Y'C _B C _R /4:2:2	8/10/12bpc
	3840x2160	1	50, 60	Y'C _B C _R /RGB/4:4:4	8bpc
	3840x2160	1	50, 60	Y'C _B C _R /4:2:2	8/10/12bpc
	3840x2400	1	24, 25, 30	Y'C _B C _R /RGB/4:4:4	8/10bpc
	3840x2400	1	24, 25, 30	Y'C _B C _R /4:2:2	8/10/12bpc
	3840x2400	1	50, 60	Y'C _B C _R /RGB/4:4:4	8bpc
	3840x2400	1	50, 60	Y'C _B C _R /4:2:2	8/10/12bpc
	4096x2160	1	24, 25, 30	Y'C _B C _R /RGB/4:4:4	8/10bpc
	4096x2160	1	24, 25, 30	Y'C _B C _R /4:2:2	8/10/12bpc
	4096x2160	1	50, 60	Y'C _B C _R /RGB/4:4:4	8bpc
	4096x2160	1	50, 60	Y'C _B C _R /4:2:2	8/10/12bpc

One-port 2D 720p and 1080i

The following one-port 2D 720p and 1080i HDMI 2.0 image formats are supported on each of the HDMI inputs.

	Format	Cables	Frame rate (Hz)	Sampling	Bit-depth	Notes
HD	1280x720	1	24, 25, 30, 50, 60	Y'C _B C _R /RGB/ 4:4:4 Y'C _B C _R /4:2:2	8/10/12bpc	—
	1920x1080i	1	25, 30	Y'C _B C _R /RGB/ 4:4:4 Y'C _B C _R /4:2:2	8/10/12bpc	1920x1080 interlaced (50/60 Hz field rate)

One-port 2D PC

The following one-port 2D HDMI 2.0 PC image formats are supported on each of the HDMI inputs.

	Format	Cables	Frame rate (Hz)	Sampling	Bit-depth
PC	1280x800	1	60	RGB	8bpc
	1280x960	1	60	RGB	8bpc

Format	Cables	Frame rate (Hz)	Sampling	Bit-depth
1280x1024	1	60	RGB	8bpc
1440x900	1	60	RGB	8bpc
1680x1050	1	60	RGB	8bpc
1600x1200	1	60	RGB	8bpc
1920x1200	1	60	RGB	8bpc

One-port 3D

The following one-port 3D HDMI 2.0 image formats are supported on each of the HDMI inputs.

Format	Cables	Frame rate (Hz)	Sampling	Bit-depth	Notes	
3D	1280x720	1	50, 60	Y'C _B C _R /RGB/ 4:4:4 Y'C _B C _R /4:2:2	8/10/12bpc	Frame-packing/ top-and-bottom
	1920x1080	1	24, 25, 30, 50, 60	Y'C _B C _R /RGB/ 4:4:4 Y'C _B C _R /4:2:2	8/10/12bpc	Frame-packing

One-port dual-input 3D

The following one-port dual-input 3D HDMI image formats are supported where the indicated frame rate is per eye. Dual-input 3D is a fixed configuration where HDMI 1 = left eye input and HDMI 2 = right eye input.

Format	Cables	Frame rate (Hz)	Sampling	Bit-depth	
HD	1280x720	2	24, 25, 30, 60	Y'C _B C _R /RGB/4:4:4 Y'C _B C _R /4:2:2	8/10/12bpc
	1920x1080	2	24, 25, 30, 60	Y'C _B C _R /RGB/4:4:4/4:2:2	8/10/12bpc
	1920x1200	2	24, 25, 30, 60	Y'C _B C _R /RGB/4:4:4 Y'C _B C _R /4:2:2	8/10/12bpc
	2048x1080	2	24, 25, 30, 60	Y'C _B C _R /RGB/4:4:4 Y'C _B C _R /4:2:2	8/10/12bpc
4K	3840x2160	2	24, 25, 30	Y'C _B C _R /RGB/4:4:4	8/10bpc
	3840x2160	2	24, 25, 30	Y'C _B C _R /4:2:2	8/10/12bpc
	3840x2160	2	60	Y'C _B C _R /RGB/4:4:4	8bpc
	3840x2160	2	60	Y'C _B C _R /4:2:2	8/10/12bpc
	3840x2400	2	24, 25, 30	Y'C _B C _R /RGB/4:4:4	8/10bpc
	3840x2400	2	24, 25, 30	Y'C _B C _R /4:2:2	8/10/12bpc
	3840x2400	2	60	Y'C _B C _R /RGB/4:4:4	8bpc
	3840x2400	2	60	Y'C _B C _R /4:2:2	8/10/12bpc

Format	Cables	Frame rate (Hz)	Sampling	Bit-depth
4096x2160	2	24, 25, 30	Y'C _B C _R /RGB/4:4:4	8/10bpc
4096x2160	2	24, 25, 30	Y'C _B C _R 4:2:2	8/10/12bpc
4096x2160	2	60	Y'C _B C _R /RGB/4:4:4	8bpc
4096x2160	2	60	Y'C _B C _R /4:2:2	8/10/12bpc

HDMI 2.1 video formats

The following image formats are supported by the HDMI 2.1 input (the L callout in the VOM-HBI Video Input panel image).

For more details (including images and callouts) on the VOM-IF and VOM-HBI Video Input panels, see *Video Input panel* (on page 47).



- In the tables below all 1920x1200 and 3840x2400 formats only apply to Christie M 4K+15 RGB and Christie M 4K+25 RGB.
- In the tables below all 2048x1080 and 4096x1260 formats only apply to Christie Eclipse, Christie M 4K15 RGB, Christie M 4K25 RGB, and Griffyn Series.

One-port 2D

The following one-port 2D image formats are supported on the HDMI input for the VOM-HBI.

Format	Cables	Frame rate (Hz)	Sampling	Bit-depth
HD	1920x1080	1	24, 25, 30, 50, 60, 120 Y'C _B C _R /RGB/4:4:4 Y'C _B C _R /4:2:2	8/10/12bpc
	1920x1200	1	24, 25, 50, 60, 120 Y'C _B C _R /RGB/4:4:4 Y'C _B C _R /4:2:2	8/10/12bpc
	2048x1080	1	24, 25, 50, 60, 120 Y'C _B C _R /RGB/4:4:4 Y'C _B C _R /4:2:2	8/10/12bpc
4K	3840x2160	1	24, 25, 30 Y'C _B C _R /RGB/4:4:4 Y'C _B C _R /4:2:2	8/10/12bpc
	3840x2160	1	50, 60, 120 Y'C _B C _R /RGB/4:4:4	8bpc
	3840x2160	1	50, 60 Y'C _B C _R /4:2:2	8/10/12bpc
	3840x2400	1	24, 25, 30 Y'C _B C _R /RGB/4:4:4 Y'C _B C _R /4:2:2	8/10/12bpc
	3840x2400	1	50, 60, 120 Y'C _B C _R /RGB/4:4:4	8bpc
	3840x2400	1	50, 60 Y'C _B C _R /4:2:2	8/10/12bpc
	4096x2160	1	24, 25, 30 Y'C _B C _R /RGB/4:4:4 Y'C _B C _R /4:2:2	8/10/12bpc
	4096x2160	1	50, 60, 120 Y'C _B C _R /RGB/4:4:4	8bpc

Format	Cables	Frame rate (Hz)	Sampling	Bit-depth
4096x2160	1	50, 60	Y'C'B_C'R/4:2:2	8/10/12bpc

One-port 3D

The following one-port 3D image formats are supported on the HDMI input for the VOM-HBI.

Format	Cables	Frame rate (Hz)	Sampling	Bit-depth	Notes	
3D	1280x720	1	50, 60	Y'CbCr/RGB/4:4:4 Y'CbCr/4:2:2	8/10/12bpc	Frame-packing/ top-and-bottom
	1920x1080	1	24, 25, 30, 50, 60	Y'CbCr/RGB/4:4:4 Y'CbCr/4:2:2	8/10/12bpc	Frame-packing

Connecting 12G, 6G, 3G, or HD SDI video source

For the projector to accept digital video data from 12G, 6G, 3G, or HD SDI video source, plug the source directly into the Video Input panel (the B callout in the VOM-IF and VOM-HBI Video Input panel images).

For more details (including images and callouts) on the VOM-IF and VOM-HBI Video Input panels, see *Video Input panel* (on page 47).



Some video sources may not be fully compliant with the relevant SDI SMPTE standards and do not include the SMPTE 352M Payload ID information. If the picture from a 1.5G or 3G SDI source does not display as expected, contact Christie Technical Support for an `SDI-Payload Override` command for the specific signal type. This allows for the display of signals missing Payload IDs from non-compliant sources.

Input configuration	Description
One-Port	Enables connection of any of the 12G, 6G, 3G, and HD SDI input standards.
One-Port, Dual-Input 3D	May be used for SDI inputs.
Four-Port Quadrant	May be used with four SDI inputs.

SDI video formats

Identify the video formats for the 3GIC card for HD and 3G-SDI (the B callout in the VOM-IF and VOM-HBI Video Input panel images).

For more details (including images and callouts) on the VOM-IF and VOM-HBI Video Input panels, see *Video Input panel* (on page 47).



Frame rates also include fractional 1/1.001 frame rates.

One-port 2D: SD, 720p and 1080i

The following one-port 2D SD, 720p and 1080i image formats are supported on each of the SDI inputs.

	Format	Cables	Frame rate (Hz)	Sampling	Bit-depth	Notes
SD	720x480	1	30	Y'C _B C _R /4:2:2	10bpc	SD interlaced component at 270Mb/s (ST 259 level C) Interlaced (60 Hz field rate)
	720x576	1	25	Y'C _B C _R /4:2:2	10bpc	SD interlaced component at 270Mb/s (ST 259 level C) Interlaced (50 Hz field rate)
HD	1280x720	1	24, 25, 30, 50, 60	Y'C _B C _R /4:2:2	10bpc	HD 720p Y'C _B C _R component at 1.5Gb/s (ST 292-1)
	1280x720	1	24, 25, 30, 50, 60	Y'C _B C _R /4:4:4(4)	10bpc	HD 720p Y'C _B C _R /RGB component at 3.0Gb/s (ST 425-1) level A
	1920x1080	1	25, 30	Y'C _B C _R /4:2:2	10bpc	HD 1080i component at 1.5Gb/s (ST 292-1) Interlaced (50/60 Hz field rate)

One-port 2D: HD and UHD/4K

The following one-port 2D HD and UHD/4K image formats are supported on each of the SDI inputs.



2048 x 1080 and 4096 x 2160 formats are also supported.

	Format	Cables	Frame rate (Hz)	Sampling	Bit-depth	Notes
HD	1920x1080	1	24, 25, 30	Y'C _B C _R /4:2:2	10bpc	HD 1080p component at 1.5Gb/s (ST 292-1)
	1920x1080	1	48, 50, 60	Y'C _B C _R /4:2:2	10bpc	HD 1080p component at 3.0Gb/s (ST 425-1) level A

	Format	Cables	Frame rate (Hz)	Sampling	Bit-depth	Notes
	1920x1080	1	24, 25, 30	Y'C _B C _R /RGB/ 4:4:4(4)	12bpc	HD 1080p Y'C _B C _R /RGB component at 3.0Gb/s (ST 425-1) level A
	1920x1080	1	24, 25, 30	Y'C _B C _R /4:2:2(4)	12bpc	HD 1080p Y'C _B C _R component at 3.0Gb/s (ST 425-1) level A
	1920x1080	1	48, 50, 60	Y'C _B C _R /RGB/ 4:4:4(4)	10bpc	HD 1080p Y'C _B C _R /RGB component at 6.0Gb/s (ST 2081-10) mode 2 structure II
	1920x1080	1	48, 50, 60	Y'C _B C _R /RGB/ 4:4:4	12bpc	HD 1080p Y'C _B C _R /RGB component at 6.0Gb/s (ST 2081-10) mode 2 structure III
4K	3840x2160	1	24, 25, 30	Y'C _B C _R /4:2:2	10bpc	2160p Y'C _B C _R component at 6.0Gb/s (ST 2081-10) mode 1 structure 1
	3840x2160	1	48, 50, 60	Y'C _B C _R /4:2:2	10bpc	2160p Y'C _B C _R /RGB component at 12.0Gb/s (ST 2082-10) mode 1 structure 1
	3840x2160	1	24, 25, 30	Y'C _B C _R /RGB/ 4:4:4(4)	10bpc	2160p Y'C _B C _R /RGB component at 12.0Gb/s (ST 2082-10) mode 1 structure 2
	3840x2160	1	24, 25, 30	Y'C _B C _R /RGB/ 4:4:4	12bpc	2160p Y'C _B C _R /RGB component at 12.0Gb/s (ST 2082-10) mode 1 structure 3

Format	Cables	Frame rate (Hz)	Sampling	Bit-depth	Notes
3840x2160	1	24, 25, 30	Y'C _B C _R /4:2:2(4)	12bpc	2160p Y'C _B C _R component at 12.0Gb/s (ST 2082-10) mode 1 structure 4

One-port, dual-link 2D HFR

The following one-port, dual-link 2D and UHD/4K SDI input formats are supported. Dual-link SDI is a fixed configuration where SDI 1 = link 1 of input1, SDI 2 = link 2 of input 1, SDI 3 = link 1 of input2, and SDI 4 = link 2 of input 2.



2048 x 1080 image formats are also supported.

Format	Cables	Frame rate (Hz)	Sampling	Bit-depth	Notes
HD	1920x1080	2	96, 100, 120	Y'C _B C _R /RGB/4:4:4(4)	Y'C _B C _R /RGB component at dual-link 6Gb/s (ST 2081-11) mode 2 (ST 425-3) level A structure II

One-port, dual-input 3D

The following one-port, dual-input 3D SDI image formats are supported where the indicated frame rate is per eye. Dual-input 3D is a fixed configuration where SDI 1 = left eye for input 1, SDI 2 = right eye for input1, SDI 3 = left eye for input 2, and SDI 4 = right eye for input 2.



2048 x 1080 and 4096 x 2160 image formats are also supported.

Format	Cables	Frame rate (Hz)	Sampling	Bit-depth	Notes
HD	1280x720	2	24, 25, 30, 50, 60	Y'C _B C _R /4:2:2	HD 720p Y'C _B C _R component at 1.5Gb/s (ST 292-1)
	1280x720	2	24, 25, 30, 50, 60	Y'C _B C _R /RGB/4:4:4(4)	HD 720p Y'C _B C _R /RGB component at 3.0Gb/s (ST 425-1) level A
	1920x1080	2	24, 25, 30	Y'C _B C _R /4:2:2	HD 1080p component at 1.5Gb/s (ST 292-1)

	Format	Cables	Frame rate (Hz)	Sampling	Bit-depth	Notes
	1920x1080	2	48, 50, 60	Y'C _B C _R /4:2:2	10bpc	HD1080p component at 3.0Gb/s (ST 425-1) level A
	1920x1080	2	24, 25, 30	Y'C _B C _R /RGB/4:4:4(4)	12bpc	HD 1080p Y'C _B C _R /RGB component at 3.0Gb/s (ST 425-1) level A
	1920x1080	2	24, 25, 30	Y'C _B C _R /4:2:2(4)	12bpc	HD 1080p Y'C _B C _R component at 3.0Gb/s (ST 425-1) level A
	1920x1080	2	48, 50, 60	Y'C _B C _R /RGB/4:4:4(4)	10bpc	HD 1080p Y'C _B C _R /RGB component at 6.0Gb/s (ST 2081-10) mode 3 structure II
	1920x1080	2	48, 50, 60	Y'C _B C _R /RGB/4:4:4	12bpc	HD 1080p Y'C _B C _R /RGB component at 6.0Gb/s (ST 2081-10) mode 2 structure III
	1920x1080	2	48, 50, 60	Y'C _B C _R /4:2:2(4)	12bpc	HD 1080p Y'C _B C _R /RGB component at 6.0Gb/s (ST 2081-10) mode 2 structure IV
4K	3840x2160	2	24, 25, 30	Y'C _B C _R /4:2:2	10bpc	2160p Y'C _B C _R component at 6.0Gb/s (ST 2081-10) mode 1 structure 1
	3840x2160	2	48, 50, 60	Y'C _B C _R /4:2:2	10bpc	2160p Y'C _B C _R component at 12.0Gb/s (ST 2081-10) mode 1 structure 1
	3840x2160	2	24, 25, 30	Y'C _B C _R /RGB/4:4:4(4)	10bpc	2160p Y'C _B C _R /RGB

Format	Cables	Frame rate (Hz)	Sampling	Bit-depth	Notes
					component at 12.0Gb/s (ST 2082-10) mode 1 structure 2
3840x2160	2	24, 25, 30	Y'C _B C _R /RGB/4:4:4	12bpc	2160p Y'C _B C _R /RGB component at 12.0Gb/s (ST 2082-10) mode 1 structure 3
3840x2160	2	24, 25, 30	Y'C _B C _R /4:2:2(4)	12bpc	2160p Y'C _B C _R component at 12.0Gb/s (ST 2082-10) mode 1 structure 4

One-port, quad-link 2D 2Si UHD/4K

The following one-port, quad-link 2D image formats are supported. This is a fixed configuration where SDI 1 = link1, SDI 2 = link2, SDI 3 = link3, and SDI 4 = link 4 of the quad-link input.



4096 x 2160 image formats are also supported.

Format	Cables	Frame rate (Hz)	Sampling	Bit-depth	Notes	
4K	3840x2160	4	24, 25, 30	Y'C _B C _R /RGB/4:4:4(4)	10bpc	Y'C _B C _R /RGB component at quad-link 3Gb/s (ST 425-5) level A structure 2
	3840x2160	4	24, 25, 30	Y'C _B C _R /RGB/4:4:4	12bpc	Y'C _B C _R /RGB component at quad-link 3Gb/s (ST 425-5) level A structure 3
	3840x2160	4	24, 25, 30	Y'C _B C _R /4:2:2(4)	12bpc	Y'C _B C _R component at quad-link 3Gb/s (ST 425-5) level A structure 4
	3840x2160	4	24, 25, 30	Y'C _B C _R /4:2:2	12bpc	Y'C _B C _R component at quad-link 3Gb/s (ST 425-5) level A structure 4

Format	Cables	Frame rate (Hz)	Sampling	Bit-depth	Notes
3840x2160	4	48, 50, 60	Y'C _B C _R /RGB/ 4:4:4(4)	10bpc	Y'C _B C _R /RGB component at quad-link 6Gb/s (ST 2081-12) mode 2 structure II
3840x2160	4	48, 50, 60	Y'C _B C _R /RGB/4:4:4	12bpc	Y'C _B C _R /RGB component at quad-link 6Gb/s (ST 2081-12) mode 2 structure III
3840x2160	4	48, 50, 60	Y'C _B C _R /4:2:2	12bpc	Y'C _B C _R component at quad-link 6Gb/s (ST 2081-12) mode 2 structure IV
3840x2160	4	48, 50, 60	Y'C _B C _R /4:2:2:4	12bpc	Y'C _B C _R component at quad-link 6Gb/s (ST 2081-12) mode 2 structure IV

One-port 2D square division UHD/4K

The following quad-link 2D UHD/4K SDI image formats are supported in square division mapping format, so each SDI input represents one quarter of the total image assigned as shown in the following diagram:

Input 1 SDI 1	Input 2 SDI 2
Input 3 SDI 3	Input 4 SDI 4



4096 x 2160 image formats are also supported.

Format	Cables	Frame rate (Hz)	Sampling	Bit-depth	Notes	
4K	3840x2160	4	48, 50, 60	Y'C _B C _R /4:2:2	10bpc	Y'C _B C _R component at quad-link 3Gb/s (ST 425-5) annex B square division of 2160-image

Format	Cables	Frame rate (Hz)	Sampling	Bit-depth	Notes
					formats, B.1 level A mapping
3840x2160	4	24, 25, 30	Y'C _B C _R /RGB/ 4:4:4(4)	10bpc	Y'C _B C _R /RGB component at quad-link 3Gb/s (ST 425-5) annex B square division of 2160-image formats, B.1 level A mapping
3840x2160	4	24, 25, 30	Y'C _B C _R /RGB/ 4:4:4	12bpc	Y'C _B C _R /RGB component at quad-link 3Gb/s (ST 425-5) annex B square division of 2160-image formats, B.1 level A mapping
3840x2160	4	24, 25, 30	Y'C _B C _R /4:2:2:4	12bpc	Y'C _B C _R component at quad-link 3Gb/s (ST 425-5) annex B square division of 2160-image formats, B.1 level A mapping
3840x2160	4	24, 25, 30	Y'C _B C _R /4:2:2	12bpc	Y'C _B C _R component at quad-link 3Gb/s (ST 425-5) annex B square division of 2160-image formats, B.1 level A mapping
3840x2160	4	48, 50, 60	Y'C _B C _R /RGB/ 4:4:4(4)	10bpc	Y'C _B C _R /RGB component at quad-link 6Gb/s (ST 2081) mode 2 structure II
3840x2160	4	48, 50, 60	Y'C _B C _R /RGB/ 4:4:4	12bpc	Y'C _B C _R /RGB component at quad-link 6Gb/s (ST 2081) mode 2 structure II

Where each SDI Input corresponds to one of the following input signal formats.

	Format	Cables	Frame rate (Hz)	Sampling	Bit-depth	Notes
HD	1920x1080	1	48, 50, 60	Y'C _B C _R /4:2:2	10bpc	HD 1080p component at 3.0Gb/s (ST 425-1) level A
	1920x1080	1	24, 25, 30	Y'C _B C _R /RGB/4:4:4(4)	12bpc	HD 1080pY'C _B C _R /RGB component at 3.0Gb/s (ST 425-1) level A
	1920x1080	1	24, 25, 30	Y'C _B C _R /4:2:2(4)	12bpc	HD 1080p Y'C _B C _R component at 3.0Gb/s (ST 425-1) level A
	1920x1080	1	48, 50, 60	Y'C _B C _R /RGB/4:4:4(4)	10bpc	HD 1080pY'C _B C _R /RGB component at 6.0Gb/s (ST 2081-10) structure II
	1920x1080	1	48, 50, 60	Y'C _B C _R /RGB/4:4:4	12bpc	HD 1080pY'C _B C _R /RGB component at 6.0Gb/s (ST 2081-10) mode 2 structure III

Connecting a DisplayPort video source

For the projector to accept digital video data, plug the DisplayPort source directly into the Video Input panel (in the VOM-IF and VOM-HBI Video Input panel images, the C callout shows the DisplayPort 1.2 port and in the VOM-HBI Video Input panel image, the K callout shows the DisplayPort 1.4 port).

For more details (including images and callouts) on the VOM-IF and VOM-HBI Video Input panels, see *Video Input panel* (on page 47).

The input configurations listed below are supported.

Input configuration	Description
One-Port	Enables connection of one DisplayPort cable. Supports both 2D and 3D frame sequential transmission format. In this configuration the DisplayPort input supplies the entire video raster.
Two-Port	Enables connection of two DisplayPort cables. Supports both 2D and 3D frame sequential transmission format. Each DisplayPort input supplies one of two columns of a 4K input image.
One-Port, Dual-Input 3D	May be used for Dual-Input 3D configurations.

DisplayPort 1.2 video formats

The following image formats are supported by the DisplayPort inputs (the C callout in the VOM-IF and VOM-HBI Video Input panel images).

For more details (including images and callouts) on the VOM-IF and VOM-HBI Video Input panels, see *Video Input panel* (on page 47).



- In the tables below all 1920x1200 and 3840x2400 formats only apply to Christie M 4K+15 RGB and Christie M 4K+25 RGB.
- In the tables below all 2048x1080 and 4096x1260 formats only apply to Christie Eclipse, Christie M 4K15 RGB, Christie M 4K25 RGB, and Griffyn Series.
- Frame rates also include fractional 1/1.001 frame rates.

One-port 2D

The following one port 2D DisplayPort 1.2 image formats are supported on each of the DP 1.2 inputs.

	Format	Cables	Frame rate (Hz)	Sampling	Bit-depth
HD	1280x720	1	24, 25, 30, 50, 60, 120	Y'C _B C _R /RGB/4:4:4	8/10/12bpc
	1920x1080	1	24, 25, 30, 50, 60, 120	Y'C _B C _R /RGB/4:4:4	8/10/12bpc
	1920x1200	1	24, 25, 30, 50, 60, 120	Y'C _B C _R /RGB/4:4:4	8/10/12bpc
	2048x1080	1	24, 25, 30, 50, 60, 120	Y'C _B C _R /RGB/4:4:4	8/10/12bpc
4K	3840x2160	1	24, 25, 30, 50, 60	Y'C _B C _R /RGB/4:4:4	8/10bpc
	3840x2400	1	24, 25, 30, 50, 60	Y'C _B C _R /RGB/4:4:4	8/10bpc
	4096x2160	1	24, 25, 30, 50, 60	Y'C _B C _R /RGB/4:4:4	8/10bpc

One-port 3D

The following one-port 3D DisplayPort image formats are supported in a frame sequential transmission format.

	Format	Cables	Frame rate (Hz)	Sampling	Bit-depth
HD	1280x720	1	24, 25, 30, 50, 60	Y'C _B C _R /RGB/4:4:4	8/10/12bpc
	1920x1080	1	24, 25, 30, 50, 60	Y'C _B C _R /RGB/4:4:4	8/10/12bpc
	1920x1200	1	24, 25, 30, 50, 60	Y'C _B C _R /RGB/4:4:4	8/10/12bpc
	2048x1080	1	24, 25, 30, 50, 60	Y'C _B C _R /RGB/4:4:4	8/10/12bpc
4K	3840x2160	1	25, 30	Y'C _B C _R /RGB/4:4:4	8/10bpc
	3840x2400	1	25, 30	Y'C _B C _R /RGB/4:4:4	8/10bpc
	4096x2160	1	25, 30	Y'C _B C _R /RGB/4:4:4	8/10bpc

One-port, dual-input 3D

The following one-port, dual-input 3D DisplayPort 1.2 image formats are supported where the indicated frame rate is per eye. Dual-input 3D is a fixed configuration where DisplayPort 1 = left eye input and DisplayPort 2 = right eye input.

	Format	Cables	Frame rate (Hz)	Sampling	Bit-depth
HD	1280x720	2	24, 25, 30, 60	Y'C'B'C'R/RGB/4:4:4	8/10/12bpc
	1920x1080	2	24, 25, 30, 60	Y'C'B'C'R/RGB/4:4:4	8/10/12bpc
	1920x1200	2	24, 25, 30, 60	Y'C'B'C'R/RGB/4:4:4	8/10/12bpc
	2048x1080	2	24, 25, 30, 60	Y'C'B'C'R/RGB/4:4:4	8/10/12bpc
4K	3840x2160	2	24, 25, 30, 60	Y'C'B'C'R/RGB/4:4:4	8/10bpc
	3840x2400	2	24, 25, 30, 60	Y'C'B'C'R/RGB/4:4:4	8/10bpc
	4096x2160	2	24, 25, 30, 60	Y'C'B'C'R/RGB/4:4:4	8/10bpc

Two-port 2D

The following two-port 2D DisplayPort 1.2 image formats are supported in two-column mode where each DisplayPort 1.2 input provides one half of the overall image width such that DisplayPort 1 = left half of the total image and DisplayPort 2 = right half of the overall image.

For example:

- For 3840x2160:
DP 1 = 1920 x 2160 (left side[pixels 0 - 1919]) and DP 2 = 1920 x 2160 (right side [pixels 1920 - 3839])
- For 4096x2160:
DP 1 = 2048 x 2160 (left side[pixels 0 - 2047]) and DP 2 = 2048 x 2160 (right side [pixels 2048 - 4095])

	Format	Cables	Frame rate (Hz)	Sampling	Bit-depth
4K	1920x2160 (per input)	2	120	Y'C'B'C'R/RGB/4:4:4	8/10bpc
	2048x2160 (per input)	2	120	Y'C'B'C'R/RGB/4:4:4	8/10bpc

Two-port 3D

The following two-port 3D DisplayPort image formats are supported in a 3D frame sequential, two-column transmission format where each DisplayPort 1.2 input provides one half of the overall image width such that DisplayPort 1 = left half of the total image and DisplayPort 2 = right half of the overall image. All frame rates are expressed per eye.

For example:

- For 3840x2160:
DP 1 = 1920 x 2160 (left side[pixels 0 - 1919])and DP 2 = 1920 x 2160 (right side [pixels 1920 - 3839])
- For 4096x2160:
DP 1 = 2048 x 2160 (left side[pixels 0 - 2047]) and DP 2 = 2048 x 2160 (right side [pixels 2048 - 4095])

	Format	Cables	Frame rate (Hz)	Sampling	Bit-depth
4K	1920x2160 (per input)	2	60	Y'C _B C _R /RGB/4:4:4	8/10bpc
	2048x2160 (per input)	2	60	Y'C _B C _R /RGB/4:4:4	8/10bpc

One-port 2D PC

The following one-port 2D DisplayPort 2.0 PC image formats are supported on each of the two DisplayPort inputs.

	Format	Cables	Frame rate (Hz)	Sampling	Bit-depth
PC	1280x800	1	60	RGB	8bpc
	1280x960	1	60	RGB	8bpc
	1280x1024	1	60	RGB	8bpc
	1440x900	1	60	RGB	8bpc
	1680x1050	1	60	RGB	8bpc
	1600x1200	1	60	RGB	8bpc
	1920x1200	1	60	RGB	8bpc

DisplayPort 1.4 video formats

The following image formats are supported by the DisplayPort 1.4 inputs (the K callout in the VOM-HBI Video Input panel image).

For more details (including images and callouts) on the VOM-IF and VOM-HBI Video Input panels, see *Video Input panel* (on page 47).

One-port 2D

The following one-port 2D image formats are supported on the DisplayPort input for the VOM-HBI.

	Format	Cables	Frame rate (Hz)	Sampling	Bit-depth
HD	1920x1080	1	24, 25, 30, 50, 60, 120	Y'C _B C _R /RGB/4:4:4	8/10/12bpc
	1920x1200	1	24, 25, 30, 50, 60, 120	Y'C _B C _R /RGB/4:4:4	8/10/12bpc
	2048x1080	1	24, 25, 30, 50, 60, 120	Y'C _B C _R /RGB/4:4:4	8/10/12bpc
4K	3840x2160	1	24, 25, 30, 50, 60	Y'C _B C _R /RGB/4:4:4	8/10bpc
	3840x2160	1	120	Y'C _B C _R /4:2:2	8bpc
	3840x2400	1	24, 25, 30, 50, 60	Y'C _B C _R /RGB/4:4:4	8/10bpc
	3840x2400	1	120	Y'C _B C _R /4:2:2	8bpc
	4096x2160	1	24, 25, 30, 50, 60	Y'C _B C _R /RGB/4:4:4	8/10bpc
	4069x2160	1	120	Y'C _B C _R /4:2:2	8bpc

One-port 3D

The following one-port 3D image formats are supported on the DisplayPort input for the VOM-HBI.

	Format	Cables	Frame rate (Hz)	Sampling	Bit-depth
HD	1920x1080	1	50, 60, 120	Y'C _B C _R /RGB/4:4:4	8/10/12bpc
	1920x1200	1	50, 60, 120	Y'C _B C _R /RGB/4:4:4	8/10/12bpc
	2048x1080	1	50, 60, 120	Y'C _B C _R /RGB/4:4:4	8/10/12bpc
4K	3840x2160	1	50, 60	Y'C _B C _R /RGB/4:4:4	8/10bpc
	3840x2400	1	50, 60	Y'C _B C _R /RGB/4:4:4	8/10bpc
	4096x2160	1	50, 60	Y'C _B C _R /RGB/4:4:4	8/10bpc

Dual-input 3D

The following dual-input 3D image formats are supported on the DisplayPort input for the VOM-HBI.

	Format	Cables	Frame rate (Hz)	Sampling	Bit-depth
HD	1920x1080	2	24, 25, 30, 50, 60	Y'C _B C _R /RGB/4:4:4	8/10/12bpc
	1920x1200	2	24, 25, 30, 50, 60	Y'C _B C _R /RGB/4:4:4	8/10/12bpc
	2048x1080	2	24, 25, 30, 50, 60	Y'C _B C _R /RGB/4:4:4	8/10/12bpc
4K	3480x2160	2	24, 25, 30, 50, 60	Y'C _B C _R /RGB/4:4:4	8/10/12bpc
	3840x2400	2	24, 25, 30, 50, 60	Y'C _B C _R /RGB/4:4:4	8/10/12bpc
	4096x2160	2	24, 25, 30, 50, 60	Y'C _B C _R /RGB/4:4:4	8/10/12bpc

Two-port 2D

The following two-port 2D image formats, per input, are supported on the DisplayPort input for the VOM-HBI.

	Format	Cables	Frame rate (Hz)	Sampling	Bit-depth	Notes
4K	1920x2160 (per input)	2	120	Y'C _B C _R /RGB/ 4:4:4	8/10bpc	Two Column mode
	2048x2160 (per input)	2	120	Y'C _B C _R /RGB/ 4:4:4	8/10bpc	Two Column mode

Two-port 3D

The following two-port 3D image formats, per input, are supported on the DisplayPort input for the VOM-HBI.

	Format	Cables	Frame rate (Hz)	Sampling	Bit-depth	Notes
4K	1920x2160 (per input)	2	120	Y'C _B C _R /RGB/ 4:4:4	8/10bpc	Two Column mode
	2048x2160 (per input)	2	120	Y'C _B C _R /RGB/ 4:4:4	8/10bpc	Two Column mode

HFR

The following HFR image formats, per input, are supported on the DisplayPort input for the VOM-HBI.

	Format	Cables	Frame rate (Hz)	Sampling	Bit-depth
2K	2048x1080	1	240	Y'C _B C _R /RGB/4:4:4	8/10bpc
	1024x1080 (per input)	2	240, 360, 480	Y'C _B C _R /RGB/4:4:4	8/10bpc

Connecting Christie Link video source

For the projector to accept digital video data from Christie Link, plug the source directly into the Video Input panel (the D callout in the VOM-IF and VOM-HBI Video Input panel images).

For more details (including images and callouts) on the VOM-IF and VOM-HBI Video Input panels, see *Video Input panel* (on page 47).



These input configurations are set up on the Christie Link transmitter. Refer to the Christie Link User Guide (P/N: 020-102234-XX).

Christie Link video loop-out enables signals received on the Christie Link input (labeled Christie Link 1 on the *Video Input panel* (on page 47)) to be passed through to the Christie Link output (labeled Christie Link 2 on the *Video Input panel* (on page 47)). The loop through connection is automatically established whenever active Christie Link QSFP modules are plugged into the respective connectors on the projector's Video Input panel.

Input configuration	Description
One-Port	Enables connection of Christie Link 4K transmitter to the projector.
One-Port, Dual-Input 3D	
Two-Port	

Christie Link video formats

The following image formats are supported by the Christie Link input (the D callout in the VOM-IF and VOM-HBI Video Input panel images).

For more details (including images and callouts) on the VOM-IF and VOM-HBI Video Input panels, see *Video Input panel* (on page 47).

One-port 2D

The following 2D image formats are supported by the Christie Link input.

	Format	Cables	Frame rate (Hz)	Sampling	Bit-depth	Notes
HD	1280x720	1	24, 25, 30, 50, 60, 120	Y'C _B C _R /RGB/ 4:4:4 Y'C _B C _R /4:2:2	8/10/12bpc	—

	Format	Cables	Frame rate (Hz)	Sampling	Bit-depth	Notes
	1920x1080i	1	50, 60	Y'C _B C _R /RGB/ 4:4:4 Y'C _B C _R /4:2:2	8/10/12bpc	1920 x 1080 Interlaced (50/60 Hz field rate)
	1920x1080	1	24, 25, 30, 50, 60, 120	Y'C _B C _R /RGB/ 4:4:4 Y'C _B C _R /4:2:2	8/10/12bpc	—
	2048x1080	1	24, 25, 30, 50, 60, 120	Y'C _B C _R /RGB/ 4:4:4 Y'C _B C _R /4:2:2	8/10/12bpc	—
4K	3840x2160	1	24, 25, 30	Y'C _B C _R /RGB/ 4:4:4 Y'C _B C _R /4:2:2	8/10/12bpc	12bpc is only applicable to Y'C _B C _R /4:2:2
	3840x2160	1	50, 60	Y'C _B C _R /RGB/ 4:4:4 Y'C _B C _R /4:2:2	8/10/12bpc	12bpc is only applicable to Y'C _B C _R /4:2:2
	4096x2160	1	24, 25, 30	Y'C _B C _R /RGB/ 4:4:4 Y'C _B C _R /4:2:2	8/10/12bpc	12bpc is only applicable to Y'C _B C _R /4:2:2
	4096x2160	1	50, 60	Y'C _B C _R /RGB/ 4:4:4 Y'C _B C _R /4:2:2	8/10/12bpc	12bpc is only applicable to Y'C _B C _R /4:2:2

One-port 2D PC

The following 2D PC image formats are supported by the Christie Link input.

	Format	Cables	Frame rate (Hz)	Sampling	Bit-depth
PC	1280x800	1	60	RGB	8bpc
	1280x960	1	60	RGB	8bpc
	1280x1024	1	60	RGB	8bpc
	1440x900	1	60	RGB	8bpc
	1680x1050	1	60	RGB	8bpc
	1600x1200	1	60	RGB	8bpc
	1920x1200	1	60	RGB	8bpc

One-port 3D

The following one-port 3D HDMI 2.0 image formats are supported by the Christie Link 4K input where the specified frame rate below is per eye.

	Format	Cables	Frame Rate (Hz)	Sampling	Bit-Depth
HD	1280x720	1	50, 60	Y'C _B C _R /RGB/4:4:4	8/10/12bpc

Format	Cables	Frame Rate (Hz)	Sampling	Bit-Depth
	1	24, 25, 30, 50, 60	Y'C _B C _R /4:2:2	8/10/12bpc
			Y'C _B C _R /RGB/4:4:4	
			Y'C _B C _R /4:2:2	
2048x1080	1	24, 25, 30, 50, 60	Y'C _B C _R /RGB/4:4:4	8/10/12bpc
4K	1	24, 25, 30	Y'C _B C _R /RGB/4:4:4	8/10bpc
			4096x2160	1

One-port, dual-input 3D

The following one-port, dual-input 3D image formats are supported where the indicated frame rate is per eye. Dual-input 3D is a fixed configuration where Input 1 = left eye input and Input 2 = right eye input.

Format	Cables	Frame Rate (Hz)	Sampling	Bit-Depth			
HD	2	24, 25, 30, 60	Y'C _B C _R /RGB/4:4:4	8/10/12bpc			
			Y'C _B C _R /4:2:2				
			Y'C _B C _R /RGB/4:4:4				
1920x1080	2	24, 25, 30, 60	Y'C _B C _R /RGB/4:4:4	8/10/12bpc			
			Y'C _B C _R /4:2:2				
2048x1080	2	24, 25, 30, 60	Y'C _B C _R /RGB/4:4:4	8/10/12bpc			
			Y'C _B C _R /4:2:2				
4K	2	24, 25, 30	Y'C _B C _R /RGB/4:4:4	8/10bpc			
			Y'C _B C _R /4:2:2	8/10/12bpc			
			60	8/10bpc			
			60	8/10/12bpc			
			4096x2160	2	24, 25, 30	Y'C _B C _R /RGB/4:4:4	8/10bpc
			4096x2160	2	24, 25, 30	Y'C _B C _R /4:2:2	8/10/12bpc
			4096x2160	2	60	Y'C _B C _R /RGB/4:4:4	8/10bpc
			4096x2160	2	60	Y'C _B C _R /4:2:2	8/10/12bpc

Two-port 2D

The following two-port 2D image formats are supported in two-column mode where each input provides one half of the overall image width such that Input 1 = left half of the total image and Input 2 = right half of the overall image.

Format	Cables	Frame Rate (Hz)	Sampling	Bit-Depth	Notes
4K	2	120	Y'C _B C _R /RGB/4:4:4	8/10bpc	Two Column mode

Format	Cables	Frame Rate (Hz)	Sampling	Bit-Depth	Notes
2048x2160 (per input)	2	120	Y'C _B C _R /RGB/4:4:4	8/10bpc	Two Column mode

Two-port 3D

The following two-port 3D image formats are supported in a 3D frame sequential, two-column transmission format by Christie Link. All frame rates are expressed per eye.

Format	Cables	Frame Rate (Hz) per eye	Sampling	Bit-Depth	Notes
4K 1920x2160 (per input)	2	60	Y'C _B C _R /RGB/4:4:4	8/10bpc	3D frame sequential Two Column mode
2048x2160 (per input)	2	60	Y'C _B C _R /RGB/4:4:4	8/10bpc	3D frame sequential Two Column mode

Connecting an SDVoE video source

For the projector to accept digital video data from a Christie Terra Transmitter, plug the SDVoE source directly into the SFP+ connector on the Video Input panel (the E callout in the VOM-IF and VOM-HBI Video Input panel images).

For more details (including images and callouts) on the VOM-IF and VOM-HBI Video Input panels, see *Video Input panel* (on page 47).

After plugging the SDVoE source into the Video Input panel, the video source must be selected from the Input Configuration menu by selecting **Main Menu > Configuration > Input Settings > Video Input configuration > SDVoE**.



- Not all projectors support for the SDVoE feature. To determine if your projector supports the SDVoE function, see *Determining if SDVoE is supported* (on page 72) or contact Christie Technical Support.
- When SDVoE is selected, the DisplayPort and SDI inputs are no longer supported.

The input configuration listed below is supported.

Input configuration	Description
One-Port	Enables 2D or 3D connection from an SDVOE source (such as the Christie Terra Transmitter).

Determining if SDVoE is supported

Follow these steps to determine if the card cage supports SDVoE:

1. Select **Menu > Configuration > Input Settings**.
2. View the options in the Video Input Configuration list.
 - If SDVoE is listed, the projector supports SDVoE.

- If SDVoE (Unsupported) is listed, the projector does not support SDVoE.

SDVoE video formats

The following image formats are supported by the SDVoE input (the E callout in the VOM-IF and VOM-HBI Video Input panel images).

For more details (including images and callouts) on the VOM-IF and VOM-HBI Video Input panels, see *Video Input panel* (on page 47).



- In the tables below all 1920x1200 and 3840x2400 formats only apply to Christie M 4K+15 RGB and Christie M 4K+25 RGB.
- In the tables below all 2048x1080 and 4096x1260 formats only apply to Christie Eclipse, Christie M 4K15 RGB, Christie M 4K25 RGB, and Griffyn Series.

One-port 2D

The following 2D image formats are supported by the SDVoE input.

	Format	Cables	Frame Rate (Hz)	Sampling	Bit-Depth	Notes
HD	1280x720	1	24, 25, 30 ,50, 60 ,120	Y'C _B C _R /RGB/ 4:4:4 Y'C _B C _R /4:2:2	8/10/12bpc	—
	1920x1080i	1	25, 30	Y'C _B C _R /RGB/ 4:4:4 Y'C _B C _R /4:2:2	8/10/12bpc	1920x1080 Interlaced (50/60 Hz field rate)
	1920x1080	1	24, 25, 30 ,50, 60 ,120	Y'C _B C _R /RGB/ 4:4:4 Y'C _B C _R /4:2:2	8/10/12bpc	—
	1920x1200	1	24, 25, 30 ,50, 60 ,120	Y'C _B C _R /RGB/ 4:4:4 Y'C _B C _R /4:2:2	8/10/12bpc	—
	2048x1080	1	24, 25, 30 ,50, 60 ,120	Y'C _B C _R /RGB/ 4:4:4 Y'C _B C _R /4:2:2	8/10/12bpc	—
4K	3840x2160	1	24, 25, 30 ,50, 60	Y'C _B C _R /RGB/ 4:4:4 Y'C _B C _R /4:2:2	8bpc	—
	3840x2400	1	24, 25, 30 ,50, 60	Y'C _B C _R /RGB/ 4:4:4 Y'C _B C _R /4:2:2	8bpc	—
	4096x2160	1	24, 25, 30 ,50, 60	Y'C _B C _R /RGB/ 4:4:4 Y'C _B C _R /4:2:2	8bpc	—

One-port 2D 720p and 1080i

	Format	Cables	Frame rate (Hz)	Sampling	Bit-depth	Notes
HD	1280x720	1	24, 25, 30, 50, 60, 120	Y'C _B C _R /RGB/ 4:4:4 Y'C _B C _R /4:2:2	8/10/12bpc	-
	1920x1080i	1	25, 30	Y'C _B C _R /RGB/ 4:4:4 Y'C _B C _R /4:2:2	8/10/10bpc	1920x1080 interlaced (50/60 Hz field rate)

One-port 2D PC

The following 2D PC image formats are supported by the SDVoE input.

	Format	Cables	Frame Rate (Hz)	Sampling	Bit-Depth
PC	1280x800	1	60	RGB	8bpc
	1280x960	1	60	RGB	8bpc
	1280x1024	1	60	RGB	8bpc
	1440x900	1	60	RGB	8bpc
	1680x1050	1	60	RGB	8bpc
	1600x1200	1	60	RGB	8bpc
	1920x1200	1	60	RGB	8bpc

One-port 3D

The following one-port 3D HDMI 2.0 image formats are supported by the SDVoE input.

	Format	Cables	Frame Rate (Hz)	Sampling	Bit-Depth	Notes
3D	1280x720	1	50, 60	Y'C _B C _R /RGB/ 4:4:4 Y'C _B C _R /4:2:2	8/10/12bpc	Frame-packing/ top-and-bottom
	1920x1080	1	24, 25, 30, 50, 60	Y'C _B C _R /RGB/ 4:4:4 Y'C _B C _R /4:2:2	8/10/12bpc	Frame-packing

Connecting an HDBaseT video source

The HDBaseT port on the Video Input panel accepts digital video data from HDBaseT sources (the P callout in the VOM-IF Video Input panel image and not available in the VOM-HBI Video Input panel).

For more details (including images and callouts) on the VOM-IF and VOM-HBI Video Input panels, see *Video Input panel* (on page 47).

Can connect a 10/100/1000 base-T Ethernet cable for server or network connectivity.

The input configurations listed below are supported.

Input configuration	Description
One-Port	Enables 2D or 3D connection of one Ethernet cable to the HDBaseT port on the Video Input panel. The HDBaseT input supplies the entire video raster.

HDBaseT video formats

The following image formats are supported by the HDBaseT inputs (the P callout in the VOM-IF Video Input panel image and not available in the VOM-HBI Video Input panel).

For more details (including images and callouts) on the VOM-IF and VOM-HBI Video Input panels, see *Video Input panel* (on page 47).

HDBaseT 2D

The following 2D HDBaseT image formats are supported.

	Format	Frame rate (Hz)	Sampling	Bit-depth
HD	1280x720	24, 25, 30, 50, 60, 100, 120	Y'C _B C _R /RGB/4:4:4 Y'C _B C _R /4:2:2	8/10/12bpc
	1920x1080i	50, 60	Y'C _B C _R /RGB/4:4:4 Y'C _B C _R /4:2:2	8/10/12bpc
	1920x1080	24, 25, 30, 50, 60, 100, 120	Y'C _B C _R /RGB/4:4:4 Y'C _B C _R /4:2:2	8/10/12bpc
	2048x1080	24, 25, 30, 50, 60, 100, 120	Y'C _B C _R /RGB/4:4:4 Y'C _B C _R /4:2:2	8/10/12bpc
4K	3840x2160	24, 25, 30	Y'C _B C _R /RGB/4:4:4 Y'C _B C _R /4:2:2	8bpc
	4096x2160	24, 25, 30	Y'C _B C _R /RGB/4:4:4 Y'C _B C _R /4:2:2	8bpc

HDBaseT 3D

The following 3D HDBaseT image formats are supported.

	Format	Frame rate (Hz)	Sampling	Bit-depth	Notes
HD	1280x720	50, 60	Y'C _B C _R /RGB/4:4:4 Y'C _B C _R /4:2:2	8/10/12bpc	Frame-packing, top and bottom
	1920x1080	24, 25	Y'C _B C _R /RGB/4:4:4 Y'C _B C _R /4:2:2	8/10/12bpc	Frame-packing

Connecting to a computer with USB

The two USB ports can be used for upgrades, backups, restores, profile management, and interrogator retrieval.

- USB-C 3.0 Interface (the F callout in the VOM-IF and VOM-HBI Video Input panel images)—USB-C Connector with locking mechanism supporting USB 3.0 protocol (5 Gb/s), power over USB (2 A @ 5 VDC).
This port can be used as a high speed data interface.
- USB Type A 3.0 Interface (the G callout in the VOM-IF and VOM-HBI Video Input panel images)—USB Type A connector with locking mechanism supporting USB 3.0 protocol (5 Gb/s) and power over USB (2 A @ 5 VDC). Intended for data ingest using USB flash drives for the purposes of upgrading, profile management, and interrogator retrieval.
This port can be connected to a Christie-recommended WiFi USB device to provide wireless Ethernet control.

For more details (including images and callouts) on the VOM-IF and VOM-HBI Video Input panels, see *Video Input panel* (on page 47). For information on performing upgrades, backups, restores, profile management, and interrogator retrieval, refer to the *Christie TruLife+ User Guide (P/N: 020-103315-XX)*.

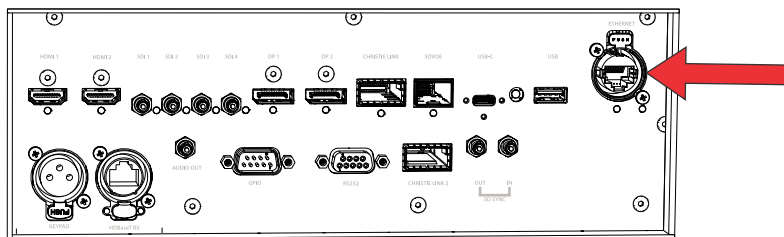
Connecting to a computer or server with 10/100/1000 base-T Ethernet

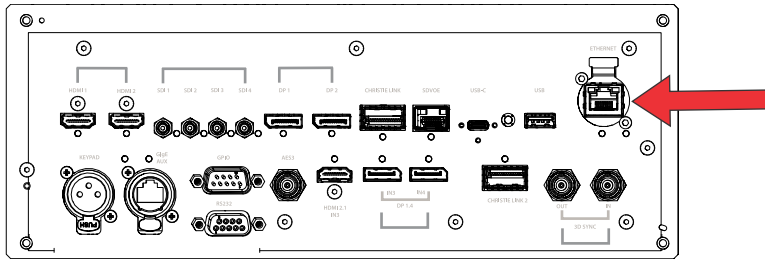
Communicate with a remote computer, server, or an existing network using a RJ-45 cable.

The port located on the Video Input panel uses the Christie proprietary protocol or Art-Net control protocol and is intended for Christie accessories or automation controllers only.

1. Use an RJ-45 cable to connect the Ethernet hub or switch to the Ethernet port, located on the projector Video Input panel.

VOM-IF:



VOM-HBI:

2. When using the Christie serial protocol over Ethernet, connect to port 3002.
3. For applications or equipment using serial communications, use the Christie proprietary serial protocol or Art-Net protocol to communicate with the Ethernet port on the Video Input panel.

Setting up the Ethernet

Ethernet is set up to obtain an IP address automatically if a DHCP server is on the network, modify IP settings, or manually enter an address.



You cannot change the IP settings using the web interface.

1. From the display panel, use the arrow keys to select **IP Settings**.
2. To set the type of network, select **DHCP** or **Static**.
3. If you selected Static, manually enter the network information for the **IP Address**, **Subnet**, and **Gateway**.
4. Select **Apply** and select **Enter**.
5. Select **MENU** > **Communications** > **Network Settings**.
6. Select **Device name**.
7. Use the up and down keys to enter the name of the projector.
8. Select **Enter**.

Communicating with Christie M RGB Series through Art-Net

Christie M RGB Series supports communications through the Art-Net using the Ethernet connector.

1. Select **MENU** > **Communications** > **Art-Net Settings**.
2. Verify the **Enable Art-Net** option is disabled.
Disabling Art-Net before configuring it ensures Christie M RGB Series does not accidentally respond to DMX messages destined for other devices on the network.
3. To specify which subnet the projector belongs to, in the Art-Net Subnet field adjust the value between 0 and 15.
The subnet provides expandability beyond the universe level.
4. To confirm your selection, select **Enter**.
5. To specify which universe the projector belongs to, so it can filter out all other data packets, in the Art-Net Universe field, adjust the value between 0 and 15.
For Art-Net, data is broadcast over an Ethernet network, so every device receives every packet of data, whether the device belongs to that universe or not.

6. To confirm your selection, select **Enter**.
7. To determine the starting channel for this projector, in the Base Channel field, adjust the value between 1 and 488.
If multiple projectors are used on the same universe and are to be controlled independently, this value must be changed. For example, if both projectors are using the Shutter (20 channels), projector 1 should start at base channel 1 and projector 2 should start at base channel 21.
8. To confirm your selection, select **Enter**.
9. Select **Enable Art-Net**.
10. To enable the Art-Net functionality, select **Enter**.

Art-Net channel listing

There are 512 channels per universe. Christie M RGB Series specifies 24 channels.



Christie M RGB Series has multiple methods of being controlled in addition to Art-Net. If a setting is changed through another interface, the DMX controller can re-assert control by changing the value on the appropriate DMX channel.

Channel	Name	Description	Suggested starting position	Notes
1	Slider Lock	0 to 171 = Locked 172 to 255 = Unlocked	0	—
2	Power	0 to 85 = Powers off the projector (goes into Standby mode) 86 to 171 = Cancel timer 172 to 255 = Powers on the projector (switches light source on, warm up mode)	128	Must be valid for five seconds before it is applied.
3	Shutter	0 to 85 = Closes the shutter (black screen) 172 to 255 = Opens the shutter (live video)	255	Christie recommends setting this channel to 255 prior to powering up the projector so it is consistent with the shutter state after the projector is fully on.
4	Lens Shift Enable	0 to 171 = Disables lens shift 172 to 255 = Enables lens shift	—	Locks all lens motors.
5	Zoom (Coarse)	0 = Smallest image possible (0%)	128	<ul style="list-style-type: none"> • Locked by the Lens Shift Enable channel. • Scaled as a percentage of the total control range. • A 250 ms delay exists before sending this channel to the projector.
6	Zoom (Fine)	255 = Largest image possible (100%)		

Channel	Name	Description	Suggested starting position	Notes
7	Focus (Coarse)	0 = 0%	128	<ul style="list-style-type: none"> Locked by the Lens Shift Enable channel. Scaled as a percentage of the total control range. A 250 ms delay exists before sending this channel to the projector.
8	Focus (Fine)	255 = 100%		
9	Lens Horizontal Position (Coarse)	0 = Full left position (0%)	128	<ul style="list-style-type: none"> Locked by the Lens Shift Enable channel. A 250 ms delay exists before sending this channel to the projector.
10	Lens Horizontal Position (Fine)	255 = Full right position (100%)		
11	Lens Vertical Position (Coarse)	0 = Full lower position (0%)	128	<ul style="list-style-type: none"> Locked by the Lens Shift Enable channel. A 250 ms delay exists before sending this channel to the projector.
12	Lens Vertical Position (Fine)	255 = Full upper position (100%)		
13	Input	1 to 80 = Input index 86 = Load 91 to 170 = Additional input indices 171 = Execute	0	To change inputs, send the following sequence: Load > Input index > Execute Channel 1 slider lock can be used if a keypad is not available for the input selection.
14	Fade Time	0 = 0 seconds 250 = 2.5 seconds	—	Determines the length of time it takes for the shutter to open and close with a fading effect.
15 to 24	Reserved	Reserved for future use.	—	—

Index list for the input channel

the following table provides the index information for the input channel.



Not all options listed in the table are available. Available options depend on the Video Input configuration option selected: **Default** or **SDVoE**.

Input index	Description
0	One-port HDMI0
1	One-port HDMI1
2	One-port HDBaseT
3	One-port DisplayPort0

Input index	Description
4	One-port DisplayPort1
5	Reserved for future use
6	One-port SDI0
7	One-port SDI1
8	One-port SDI2
9	One-port SDI3
11	One-port SDVoE
12	Christie Link A
14	One-port VOM-HDMI (2.1)
15	One-port VOM-DP0 (1.4)
16	One-port VOM-DP1 (1.4)
20	Two-port HDMI
21	Two-port DisplayPort
22	Four-port SDI
23	Two-port VOM-DisplayPort
30	One-port, dual-input 3D L:HDMI0, R:HDMI1
31	One-port, dual-input 3D L:DP0, R:DP1
32	One-port, dual-input 3D L:SDI0, R:SDI1
33	One-port, dual-input 3D L:SDI2, R:SDI3
35	One-port, dual-input 3D L:VOM-DP0, R:VOM-DP1

Configuring the 3D Sync in/3D Sync out interface

The 3D sync interface is supported for 3D-enabled projectors (the I callout in the VOM-IF and VOM-HBI Video Input panel images). A Mirage license is required.

Only applies: Christie M RGB Series and Griffyn Series

For more details (including images and callouts) on the VOM-IF and VOM-HBI Video Input panels, see *Video Input panel* (on page 47).

The projector can configure the 3D output sync port to supply an output synchronized right eye/left eye signal for:

- Another projector
- 3D glasses emitter

The 3D sync input and output interface connector (mini BNC for VOM-IF and standard BNC on VOM-HBI) is a micro 75 ohm BNC connector.

Configuring the RS232 port

Configure the RS232 port to send Christie serial commands using a standard RS232 serial cable (the O callout in the VOM-IF and VOM-HBI Video Input panel images).

For more details (including images and callouts) on the VOM-IF and VOM-HBI Video Input panels, see *Video Input panel* (on page 47).

For more information, on the serial commands, see the *Christie TruLife+ Serial Commands Guide* (P/N: 020-103316-XX) .

1. Select **Menu > Communications > Projector Communication**.
2. Use the down arrow to select **Baud Rate**.
3. Select the appropriate baud rate and select **Enter**.
4. Use the down arrow to select **Network Routing**.
5. Select the type network routing appropriate for your projector and select **Enter**.

Configuring the GPIO

The Generic Purpose Input Output (GPIO) provides a flexible method of interfacing with external devices to the projector.

The GPIO is configured to automate real time events. Each of the seven pins is defined as either an input or output depending on the required outcome. The remaining two pins are reserved for ground and power.

Configure the pin as an input if you want the projector to respond to something the device does and as an output if you want the external device to respond to an action taken by the projector. For example, configure the pin as an output if you want the lighting in a room to automatically dim when the projector is turned on.



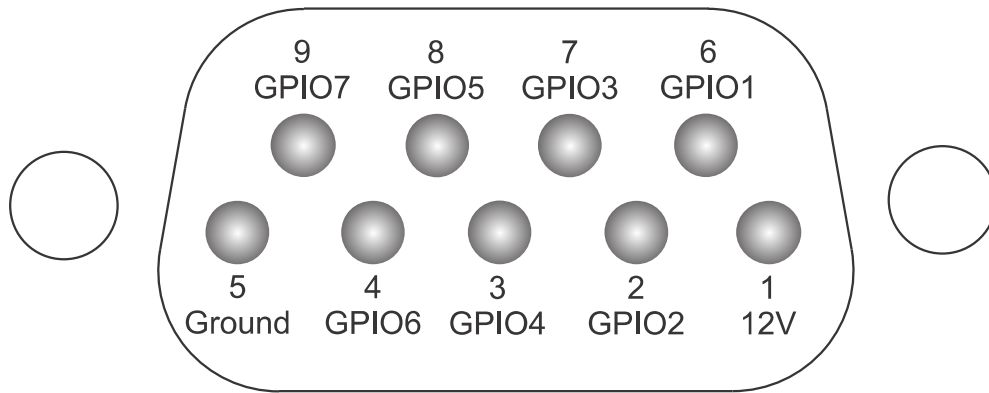
This feature is only available on the web interface.

1. From the home page of the web interface, select **Macros and GPIO**.
2. Select **GPIO Configuration**.
3. In the GPIO Configuration dialog under Update the New Configuration, toggle the pins you want active for the input and output.
A blue pin indicates input and a green pin indicates output.
4. Select **Apply**.

GPIO connector

The GPIO connector located on the input panel (the N callout in the VOM-IF and VOM-HBI Video Input panel images) provides a flexible method of interfacing with the projector. Seven GPIO pins are available on the nine pin D-Sub GPIO connector. Two other pins are reserved for ground and power.

For more details (including images and callouts) on the VOM-IF and VOM-HBI Video Input panels, see *Video Input panel* (on page 47).



D-SUB pin number	Signal	Output high (Voh)	Notes
Pin 1	+12V	—	1A max
Pin 2	GPIO 2	5V	75mA max (e)fused to prevent damage
Pin 3	GPIO 4		
Pin 4	GPIO 6		
Pin 5	Ground	—	—
Pin 6	GPIO 1	5V	75mA max (e)fused to prevent damage
Pin 7	GPIO 3		
Pin 8	GPIO 5		
Pin 9	GPIO 7		



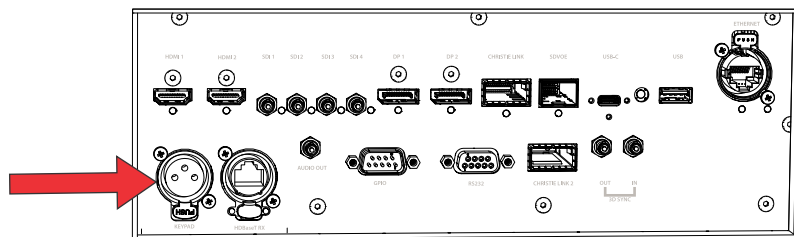
All GPIO pins are weakly pulled up to 3.3V.

Enabling the wired remote keypad

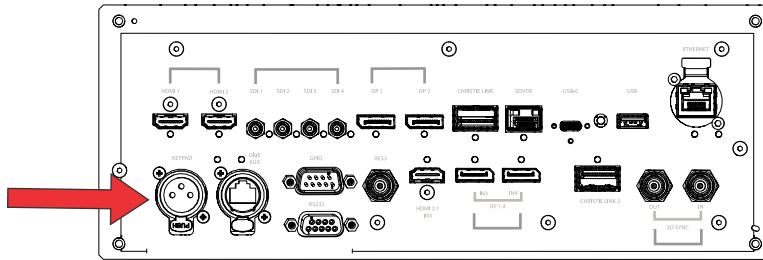
The wired remote keypad interface supports the NEC IR communication protocol.

1. Connect the remote cable in the Wired keypad port on the Video Input panel.

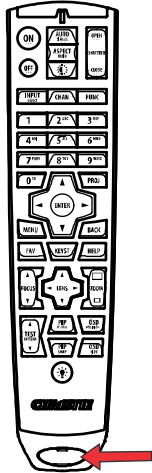
VOM-IF:



VOM-HBI:



2. Connect the remote cable in the bottom of the remote.



3. On the projector, select **MENU > Communications > Projector Communications**.
4. To enable a wired version of the remote, select **Wired Keypad Enabled** and select **Enter**.
By default this feature is enabled.

3D setup

The projector is capable of displaying stereoscopic 3D video sources, relying on additional hardware (stereo emitters and glasses) to complete the display system.

Images generated from a stereo 3D video source consist of a series of images (frames) that alternate quickly between two slightly different viewpoints, corresponding to our left and right eyes. When these frames are displayed fast enough and viewed with special glasses synchronized to the left/right (L/R) changes, the resulting image appears with the same depth and perspective sense in the real world.

3D requirements

Stereo 3D applications require a stereo 3D-capable source, special hardware and software setups, and the projector's 3D Settings menu option to control the projector's processing, synchronization, and displaying of the stereoscopic 3D source material.

Hardware requirements

Understand the hardware requirements for stereo 3D applications.

- Christie M RGB Series projector with a Mirage license
- 3D stereo sync cable for direct-input 3D (and frame doubled)
- A source, usually a computer with a 3D graphics card(s)
- Emitter for controlling active shutter glasses

or

A qualified device that mounts in front of the lens of the projector to process the light from the lens into a passive polarized light (only applies to Christie M 4K25 RGB and Christie M 4K+25-RGB). Contact your Immersive dealer for more information.

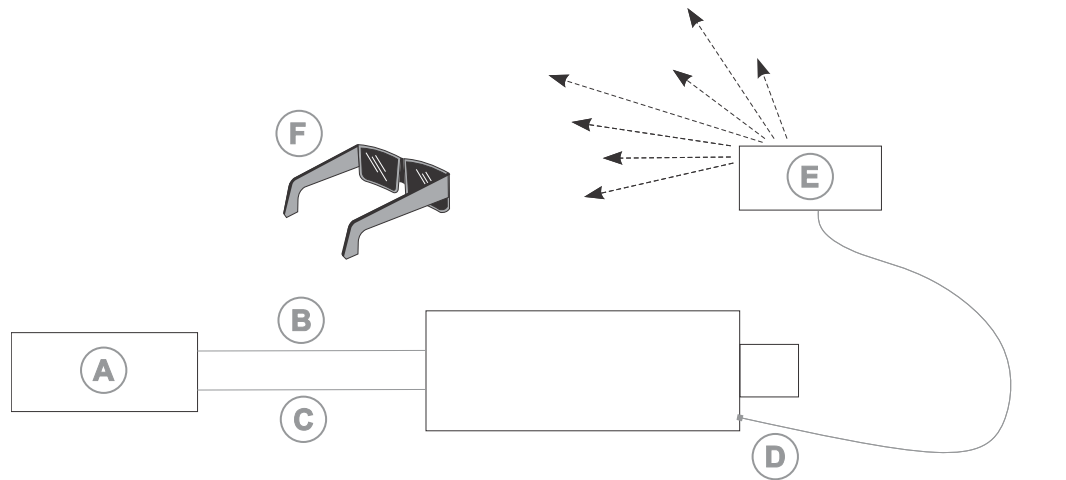
Software and content requirements

Understand the software and content requirements for stereo 3D applications.

- Any 3D computer software that supports 3D stereo on a supported computer(s) with associated graphic cards (suggested cards include AMD or NVIDIA)
- A video stream from a video source prepared to be sequential content (for direct-input 3D) or two video streams from a video source that has been prepared to be supplied left eye and right eye concurrently and frame locked (dual-input 3D)

Active stereo 3D configuration

Use the following diagram to understand a typical hardware configuration for active stereo 3D systems.



- A—Server/PC with stereo 3D-capable video sources
- B—L/R sync signal (3D-direct input only)
- C—3D direct or 3D dual-input connections
- D—3D stereo synch cable
- E—IR emitter
- F—Active glasses

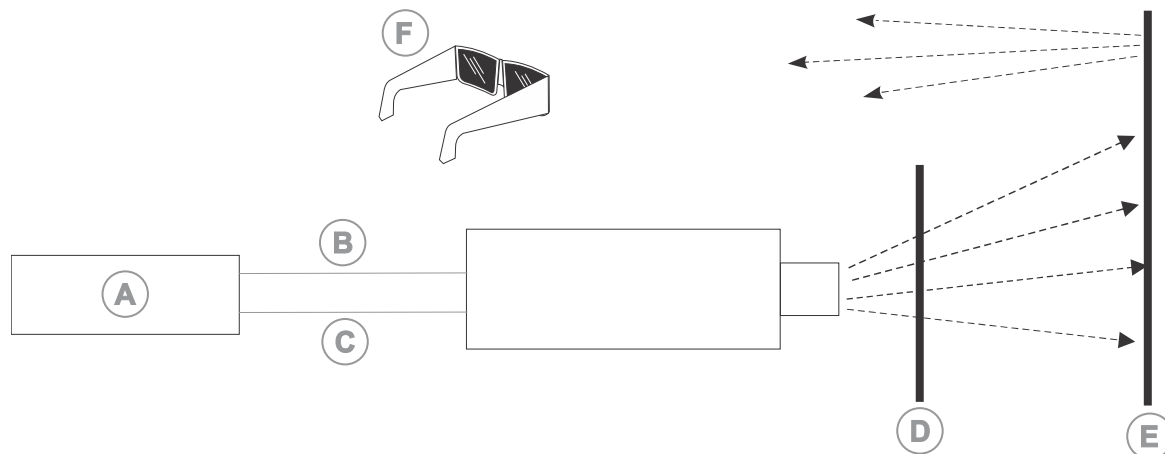


In response to the 3D Sync Out signal from the projector, the IR emitter emits an infrared signal to a receiver in the active 3D shutter glasses. This synchronizes the active glasses to alternatively open and close for the active stereo 3D applications.

Passive stereo 3D configuration

Use the following diagram to understand a typical hardware configuration for passive stereo 3D systems.

Only applies to: Christie M 4K25-RGB, Christie M 4K+25-RGB



- A—Server/PC with stereo 3D-capable video sources
- B—L/R sync signal (3D-direct input only)
- C—3D direct or 3D dual-input connections
- D—3D active filter cell
- E—Polarization maintaining screen
- F—Passive polarizing glasses

3D system timing

The projected video must be optimized for the glasses’ shutter speed or polarization filter performance to prevent obvious “ghosting” of the video content (known as cross-talk in stereo 3D applications) or other more subtle color artifacts.

Visual performance can be optimized by adjusting the Dark Interval and the 3D Sync Delay settings. Consult the documentation for your glasses or polarization filter and keep their specifications in mind when configuring the projector for 3D operation.

3D input video configurations

The stereo 3D input video stream may be supplied from the video server to the projector in two configurations: direct-input 3D or dual-input 3D.

Configuration	Description
Direct-input 3D	<p>In this configuration a single video stream is provided by the video server, with the left eye and right eye frames supplied as alternate frames within the video stream. A 3D input sync may be used to identify the left eye frames.</p> <p>The direct-input 3D video stream may be supplied by a One-Port input video configuration (such as one cable supplying the entire frame).</p>
Dual-input 3D	<p>In this configuration two video streams are provided by the video server, with the left eye supplied by one stream and the right eye supplied by the other. The video streams are frame locked and supplied concurrently.</p>

Configuration	Description
	The dual-input 3D video streams may be supplied by two One-Port input video configurations (such as one cable supplying the entire frame for each eye, with a total of two cables).

Setting up a single projector to display 3D content

The projector must be installed correctly to display 2D content (optically aligned, focused, and so on) before completing the following steps to display the 3D content.

1. *Enable 3D mode* (on page 87).
2. *Confirm the emitter setup* (on page 87).
3. *Configure the projector for the 3D source* (on page 88).

Enabling 3D mode

Select the mode for your 3D operation.

1. To enable 3D mode, select **MENU > Image Settings > 3D Settings > 3D Mode**.
2. Select the appropriate 3D mode:
 - Off—Disable the 3D operation.
 - Auto Detect—Automatically determine which 3D mode to use based on auxiliary video data, for example, HDMI info frame.
 - Multi-Flash 3D—Display content multiple times to provide a 3D image.

Confirming the emitter setup

Define whether the 3D Sync is output and control how it is processed.

1. To set the 3D output to emitter, select **MENU > Image Settings > 3D Settings > 3D Sync Output**.
2. Select **To Emitter**.
3. Select **Enter**.
4. To enable the 3D test pattern, select **3D Test Pattern**.
5. Select **Enter**.
6. To configure the dark interval so the amount of dark time aligns with the amount of time required for the glasses to switch, select **Dark Interval**.
7. Adjust the slider or enter the dark interval value as required.
8. To confirm your selection, select **Enter**.
9. View the displayed test pattern. If you can see both Ls and Rs with both eyes, increase the dark interval until the Ls are only visible to the left eye and the Rs are only visible to the right eye.
10. Optionally, to adjust the 3D Sync delay, select **3D Sync Delay**.

This adjusts the timing of the sync pulse in relation to the dark time transition on the DMDs. Use the default value of 0 as a starting point.

11. Adjust the slider or enter the delay value.
12. To confirm your selection, select **Enter**.

Configuring the projector for the 3D source

Configure the projector for the 3D source.

1. Select the *appropriate port configuration* (on page 51) and then set the *inputs for your video source* (on page 51).
2. To select the correct EDID timing, select **MENU** > **Configuration** > **Input Settings** > **EDID Timing**.
3. Select the required EDID timing and select **Enter**.
4. Connect all the required cables between the 3D source and the projector.
5. Configure your 3D source.

Connecting devices to the 3D sync ports

The 3D Sync Input and Output ports located on the Video Input panel provide a convenient method for interfacing the projector to the 3D stereo projection system.

Connect the 3D Sync Input to the video source for synchronization of the left eye/right eye frames of Direct input 3D or for frame doubled content.

The 3D Sync Input is not required for Dual-Input 3D. The 3D Sync Output is available for control of an IR Emitter for active glasses or a polarization device for passive glasses (only applies to Christie M 4K25 RGB and Christie M 4K+25-RGB).

Regulatory

This product conforms to the latest regulations and standards related to product safety, environmental, and electromagnetic compatibility (EMC) requirements.

Safety

- IEC 62368-1:2018 - Audio/Video, Information And Communication Technology Equipment - Part 1: Safety Requirements
- BS EN 62368-1:2014 - Audio/Video, Information And Communication Technology Equipment - Part 1: Safety Requirements
- UL 62368-1:2018 - Audio/Video, Information And Communication Technology Equipment - Part 1: Safety Requirements
- CSA CAN/CSA-22.2 No. 62368-1:2018 - Audio/Video, Information And Communication Technology Equipment - Part 1: Safety Requirements
- IEC 62471-5:2015 – Photobiological Safety of Lamps and Lamp Systems – Part 5: Image projectors
- IEC 60825-1:2014 - Safety of Laser Products - Part 1: Equipment Classification and Requirements
- ANSI Z136.1 (2014) – Safety of Lasers

Electro-magnetic compatibility

Emissions

- FCC CFR47, Part 15, Subpart B, Class A – Unintentional Radiators
- CAN ICES-003 (A)/NMB-003 (A) – Information Technology Equipment (Including Digital Apparatus) – Limits and Methods of Measurement
- CISPR 32/EN 55032, Class A – Electromagnetic Compatibility of Multimedia Equipment – Emission Requirements
- IEC 61000-3-2/EN61000-3-2 - Limits for Harmonic Current Emissions
- IEC 61000-3-3/EN 61000-3-3: Limitations of Voltage Changes, Voltage Fluctuations, and Flicker input current ≤ 16 A per phase and not subject to conditional connection

Immunity

- CISPR 35/EN 55035 Electromagnetic compatibility of multimedia equipment - Immunity requirements

California law on security

- California Law Requiring Internet Connected Devices To Include Reasonable Security Features (California Civil Code Section 1798.91.04)

Environmental

- EU Directive (2011/65/EU) on the restriction of the uses of certain hazardous substances (RoHS) in electrical and electronic equipment and the applicable official amendment(s).
- EU Directive (2012/19/EU) on waste and electrical and electronic equipment (WEEE) and the applicable official amendment(s).
- Regulation (EC) No. 1907/2006 on the registration, evaluation, authorization and restriction of chemicals (REACH) and the applicable official amendment(s).
- China Ministry of Information Industry (along with 7 other Government Agencies) Order No.32 (01/2016) on the control of pollution caused by electronic information products, hazardous substances concentration limits (GB/T 26572 - 2011), and the applicable product marking requirement (SJ/T 11364 - 2014).

International packaging recycling mark requirements.

- EU Directive (2012/19/EU) on waste and electrical and electronic equipment (WEEE) and the applicable official amendment(s).
- EU Directive (94/62/EC) on packaging and packaging waste
- China packaging recycling mark standard (GB18455-2001)