

Installing the Christie M ceiling mount

The Christie M ceiling mount is designed to provide fast, simple, and secure ceiling installation for the Christie M projectors. Special roll, pitch and horizontal adjustments simplify projection positioning for image alignment.

Affected products

The following products are affected:

- Christie M RGB Series

Required components and tools

The following components and tools are required:

Required components

- Christie M RGB Ceiling Mount kit (P/N: 118-100108-XX)
- 1-1/2" NPT or NPSM following ANSI/ASME B1.20.1 (Schedule 40, 0.154" minimum thickness aluminum- ASTM B221) threaded extension column
or
UL Listed Chief LPK-1 Low Profile Mounting kit

Required tools

- 1/2" and 9/16" wrenches
- 5/32" Allen key
- 6 mm Allen key
- Torque wrench

Safety precautions

To prevent personal injury and to protect the product from damage, read and follow these safety precautions.



Warning! If not avoided, the following could result in death or serious injury.

- The supporting structure must safely support five times the combined load of the product, all attached hardware, and components following all local safety standards and regulations.
- FIRE AND SHOCK HAZARD! Use only the attachments, accessories, tools, and replacement parts specified by Christie.
- Do not exceed the weight capacity of the product. Make sure the combined weight of all components located between the supporting structure and the ceiling mount does not exceed 113.4 kg (250 lbs).
- Before installation, inspect all components for cracks, deformations, corrosion, and missing or damaged parts that could reduce their installation strength.
- Improper installation of the product can lead to the projector falling.
- This product is intended for indoor use only.

Installing the supporting components

The ceiling mount is designed to be mounted to one of the following supporting components:

- 1-1/2" NPT or NPSM following ANSI/ASME B1.20.1 (Schedule 40, 0.154" minimum thickness aluminum- ASTM B221) threaded extension column
- UL Listed Chief LPK-1 Low Profile Mounting kit

Both supporting components are not included in the Christie M RGB Ceiling Mount kit and must be purchased separately. Proceed to *Installing the ceiling mount to the extension column* (on page 2) or *Installing the LPK-1 Low Profile Mounting kit* (on page 3).

Installing the ceiling mount to the extension column

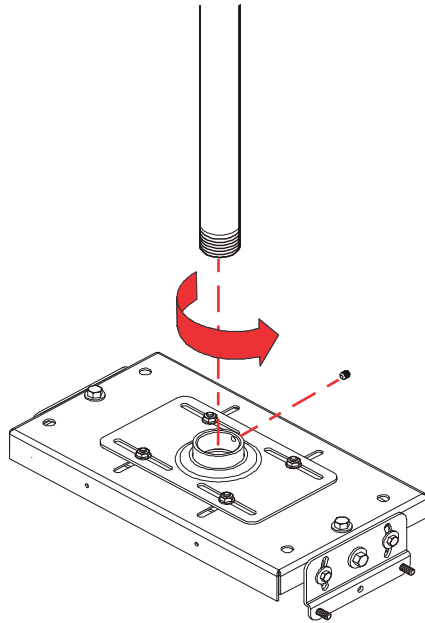
Follow these instructions to install the ceiling mount to the extension column.



These installation instructions assume a NPT or NPSM extension column is properly installed.

1. Thread the mount onto the existing extension column until tight with a minimum of four threads engaged.

Make sure the long edge of mount is located parallel to the screen.



2. Install the 5/16-18 x 3/8 screw (shown in the image in step 1) into the mount to prevent movement of the mount.
3. Proceed to *Installing the interface bracket* (on page 3).

Installing the LPK-1 Low Profile Mounting kit

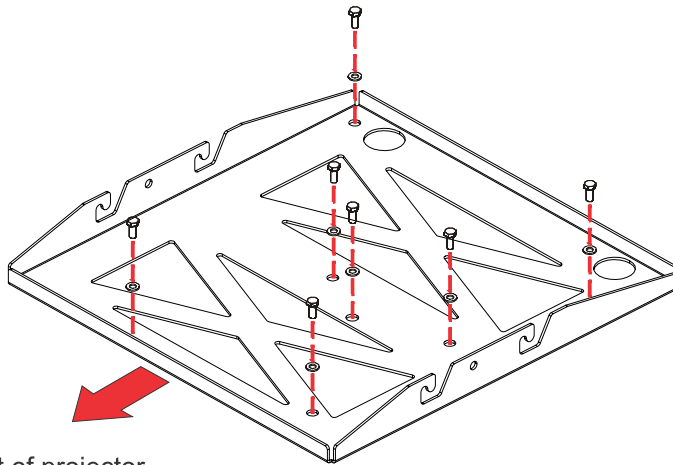
Follow these instructions to install the ceiling mount to the LPK-1 Low Profile Mounting kit.

1. To install the LPK-1 Low Profile Mounting kit, follow the instructions provided in the kit.
2. Proceed to *Installing the interface bracket* (on page 3).

Installing the interface bracket

The Christie M RGB Ceiling Mount kit uses the Chief HB Series interface bracket.

1. Position the bracket on the bottom side of the projector.
2. Align the bracket hole pattern to the mounting points on the bottom cover.
3. Attach the bracket to the projector using seven M8 x 16 mm screws through washers.
Install each screw partially to make sure all screws are aligned correctly.



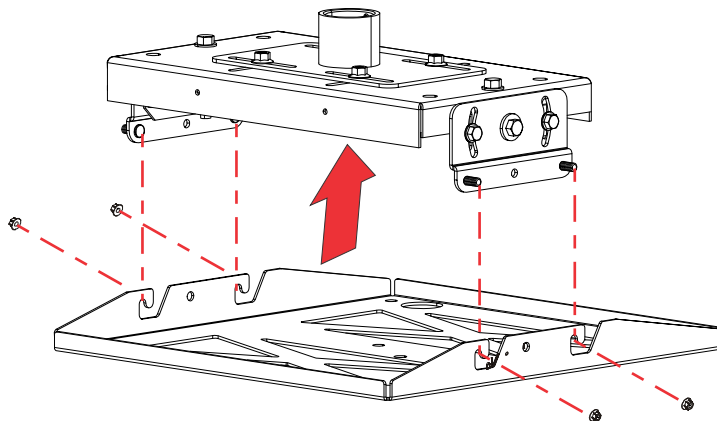
Front of projector

4. Torque the screws to the torque values specified in the projector line drawings. See the projector line drawing for the specific torque values and maximum installation depth. For more information, see the *Christie M 4K15-RGB/4K+15-RGB Line Drawing (P/N: 020-103855-XX)* and *Christie M 4K25-RGB/4K+25-RGB Line Drawing (P/N: 020-103552-XX)*.

Installing the projector and bracket to the ceiling mount housing

Follow these steps to install the projector and attached bracket to the ceiling mount housing.

1. Orient projector with the attached interface bracket so it is square to the screen.
2. With the help of assistants, lift the projector and install it to the four studs extending from the ceiling mount housing. Make sure the ceiling mount housing is seated on the HB interface bracket.



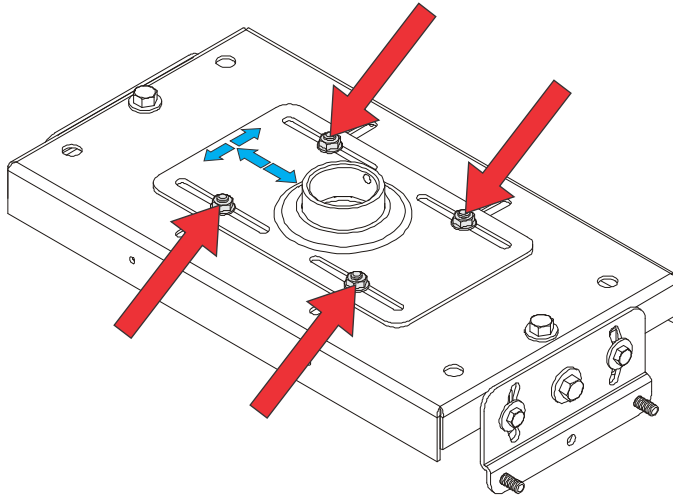
3. Tighten the four 5/16" nuts as shown in step 2.

Adjusting the orientation

You can adjust the orientation of the projector in the ceiling mount: horizontal, roll, and pitch.

1. To make the horizontal adjustment:

- a) Loosen but do not remove, the four nuts (illustrated by the red arrows in the image below) holding the top slide bracket on the ceiling mount.

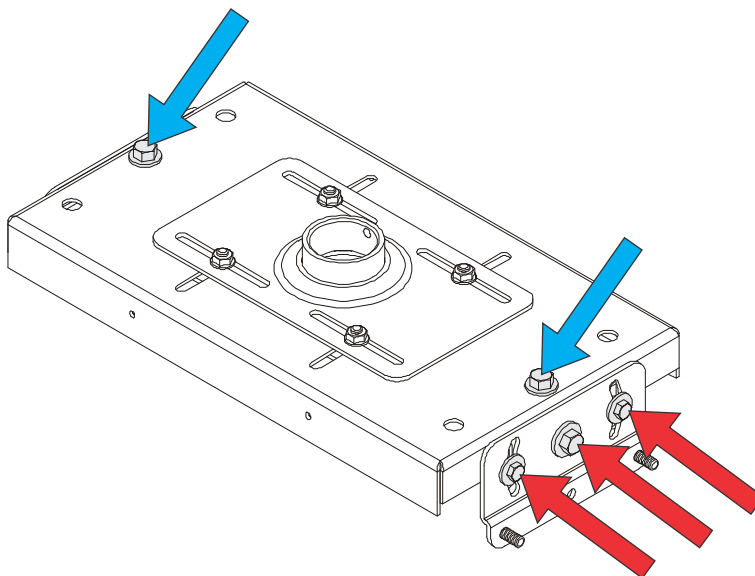


- b) Adjust the ceiling mount up to 1 to 1/2" in any direction (illustrated by the blue arrows in the image in step a).

- c) Tighten the nuts loosened in step 1 on the top slide bracket.

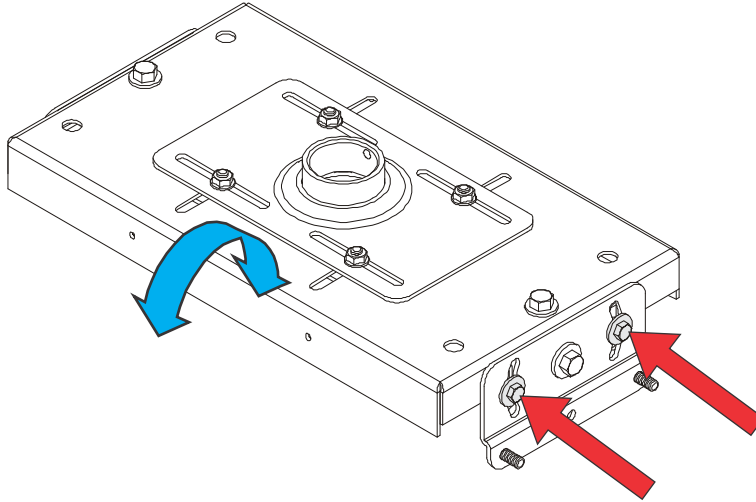
2. To adjust the roll (horizontal tilt):

- a) Loosen the three bolts (illustrated by the red arrows in the image below) on each end of the ceiling mount.



- b) Turn the adjustment bolts (illustrated by the blue arrows in the image in step a) as required.

- Turn in a clockwise direction to raise.
 - Turn in a counterclockwise direction to lower.
- c) Securely tighten the three bolts on each end of ceiling mount.
3. To adjust the pitch (vertical elevation):
- a) Loosen the two outside bolts (illustrated by the red arrows in the image below) on each end of the ceiling mount.



- b) Tilt the projector in the required direction (illustrated by the blue arrow in the image in step a).
- c) Securely tighten the two outside bolts (loosened in step a) on each end of ceiling mount.

Technical support

Technical support for Christie Enterprise products is available at:

- North and South America: +1-800-221-8025 or Support.Americas@christiedigital.com
- Europe, Middle East, and Africa: +44 (0) 1189 778111 or Support.EMEA@christiedigital.com
- Asia Pacific (support.apac@christiedigital.com):
 - Australia: +61 (0)7 3624 4888 or tech-Australia@christiedigital.com
 - China: +86 10 6561 0240 or tech-supportChina@christiedigital.com
 - India: +91 (80) 6708 9999 or tech-India@christiedigital.com
 - Japan: 81-3-3599-7481
 - Singapore: +65 6877-8737 or tech-Singapore@christiedigital.com
 - South Korea: +82 2 702 1601 or tech-Korea@christiedigital.com
- Christie Professional Services: +1-800-550-3061 or NOC@christiedigital.com