

# Installing the Enterprise lens hoods

This instruction sheet describes how to install the Christie M 4K RGB Series and Griffyn Series lens hoods.



The illustrations in this document are for representation only and may not depict your projector model exactly.

## Affected products

The following products are affected:

- Christie M RGB Series
- Griffyn Series



The lens hoods are not required when the Christie M 4K25 RGB and Christie M 4K+25 RGB models are used in low line mode.

## Projection lenses requiring lens hoods

The following outlines the projection lenses requiring lens hoods and the position for the lens clamp on the lens hood.

Lens	Part number	Lens clamp position	Projector	Lens hood	Part number
<b>High brightness</b>					
1.95-3.26:1	144-131106-XX	2	Griffyn 4K50	30 mm	163-170109-XX
2.71-3.89:1	144-107109-XX	2	Griffyn 4K50	185 mm	163-168106-XX
4.1-6.9:1	118-100115-XX	2	M 4K15 M 4K25		
3.89-5.43:1	144-108100-XX	2	Griffyn 4K50		
4.98-7.69:1	144-109101-XX	1	Griffyn 4K35	410 mm	163-167105-XX
6.9-10.4:1	118-100116-XX	2	M 4K15 M 4K25		
4.98-7.69:1	144-109101-XX	1	Griffyn 4K50		
<b>Ultra-high contrast</b>					

Lens	Part number	Lens clamp position	Projector	Lens hood	Part number
1.95-3.26:1	163-120103-XX	2	Griffyn 4K50	30 mm	163-170109-XX
2.71-3.89:1	163-121105-XX	2	Griffyn 4K50	185 mm	163-168106-XX
3.89-5.43:1	163-122106-XX	2	Griffyn 4K50		

## Installation safety and warning guidelines

Read all safety and warning guidelines before installing the lens hood.



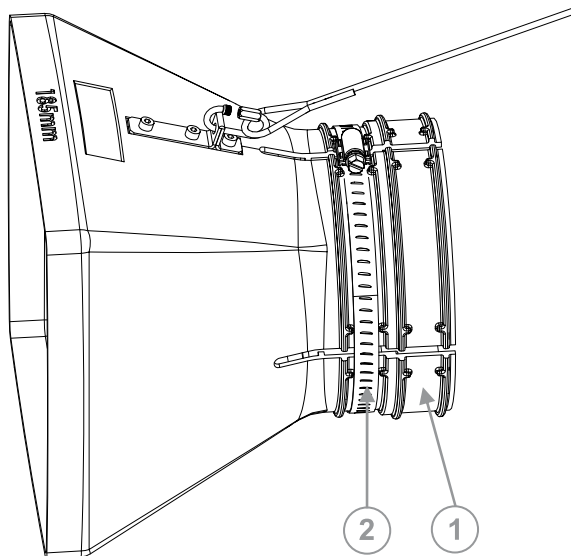
**Warning!** If not avoided, the following could result in death or serious injury.

- Possible hazardous optical radiation emitted from this product. (Risk group 3)  
Possible hazardous optical radiation emitted from this product. (Risk group 3 under IEC 62471)  
Possible hazardous optical radiation emitted from the end product.
- PERSONAL INJURY AND EQUIPMENT DAMAGE HAZARD! Make sure the loose end of the lens tether is attached to a secure structure.

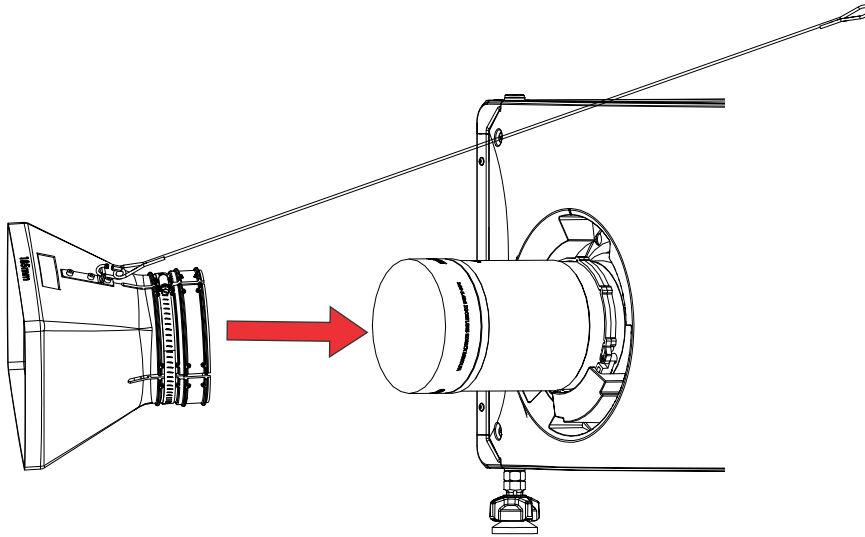
## Installing the lens hood

Follow these steps to install a lens hood.

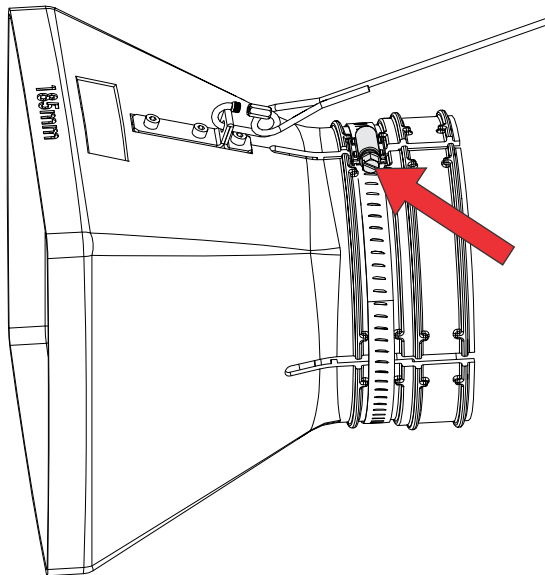
1. Assess if the lens clamp needs to change position (on page 1) and move the clamp, if required. The two lens clamp positions accommodate different projection lens diameters.



2. Place the lens hood over the projection lens until it encounters resistance from the shoulder stop.



3. Tighten the gear clamp screw to secure the lens hood over the projection lens.



4. Attach the loose end of the tether to a secure structure.  
Once secured, Christie recommends leaving slack in the tether.

## Technical support

Technical support for Christie Enterprise products is available at:

- North and South America: +1-800-221-8025 or [Support.Americas@christiedigital.com](mailto:Support.Americas@christiedigital.com)
- Europe, Middle East, and Africa: +44 (0) 1189 778111 or [Support.EMEA@christiedigital.com](mailto:Support.EMEA@christiedigital.com)

- Asia Pacific (*support.apac@christiedigital.com*):
  - Australia: +61 (0)7 3624 4888 or *tech-Australia@christiedigital.com*
  - China: +86 10 6561 0240 or *tech-supportChina@christiedigital.com*
  - India: +91 (80) 6708 9999 or *tech-India@christiedigital.com*
  - Japan: 81-3-3599-7481
  - Singapore: +65 6877-8737 or *tech-Singapore@christiedigital.com*
  - South Korea: +82 2 702 1601 or *tech-Korea@christiedigital.com*
- Christie Professional Services: +1-800-550-3061 or *NOC@christiedigital.com*